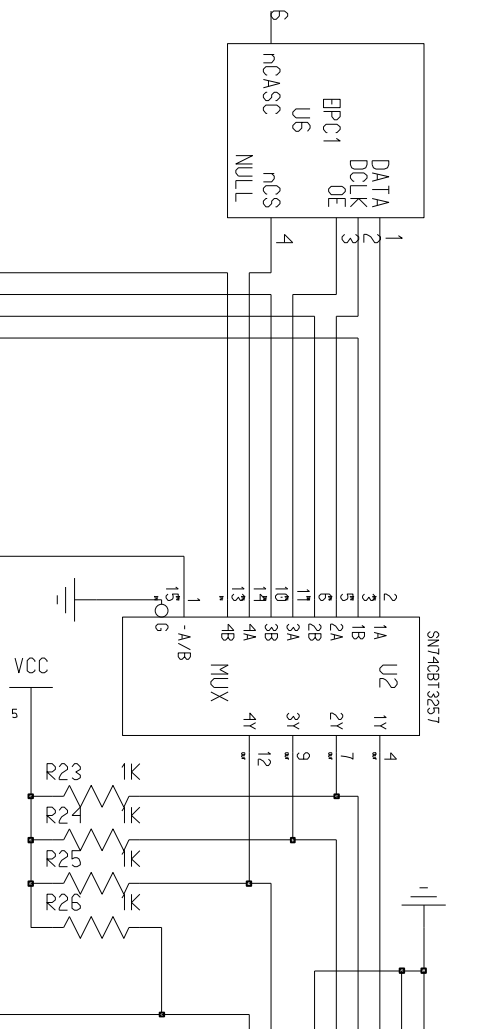
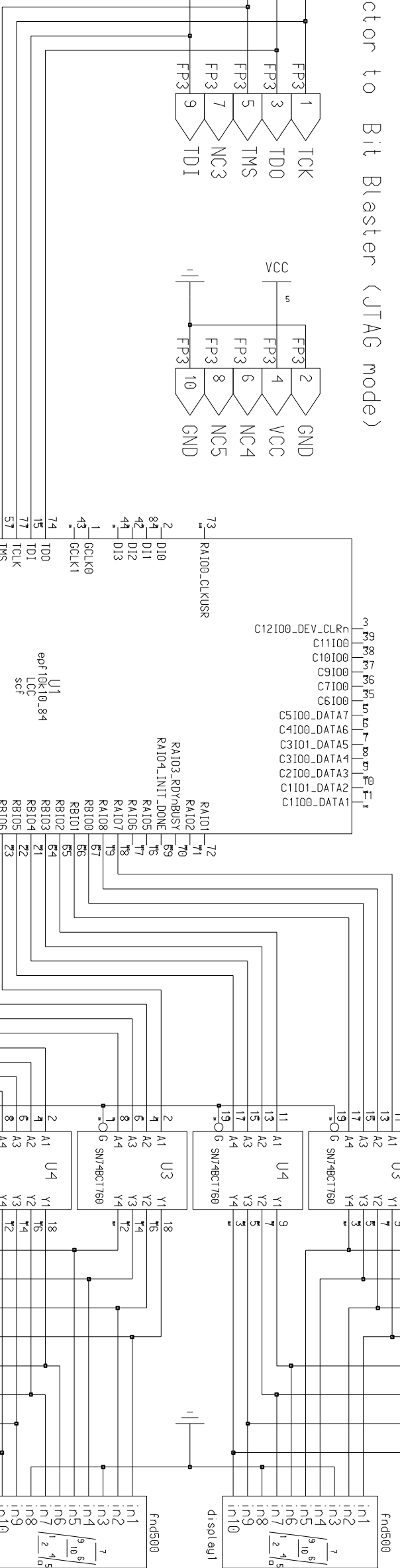
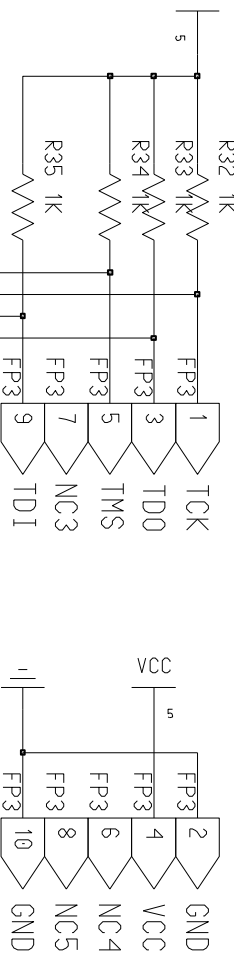
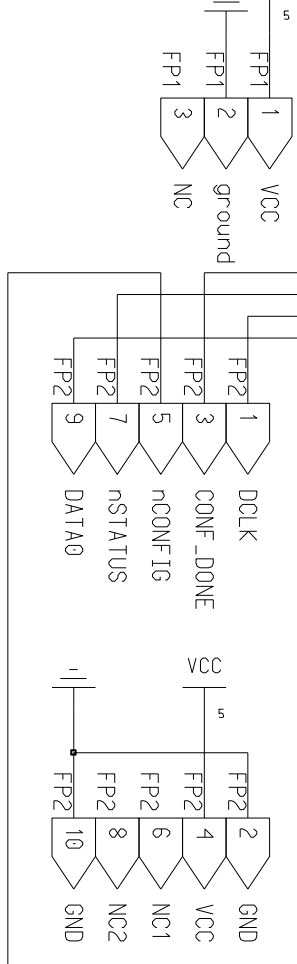


FP3: connector to Bit Blaster (JTAG mode)



FP2: connector to Bit Blaster (PS mode)



S1-mux (LED1off = EPC1) S1 S2 S3 S4 S5
 S2-nTRST
 S3,S4,S5-inputs to 10k10

