

1

2

3

4

A

A

B

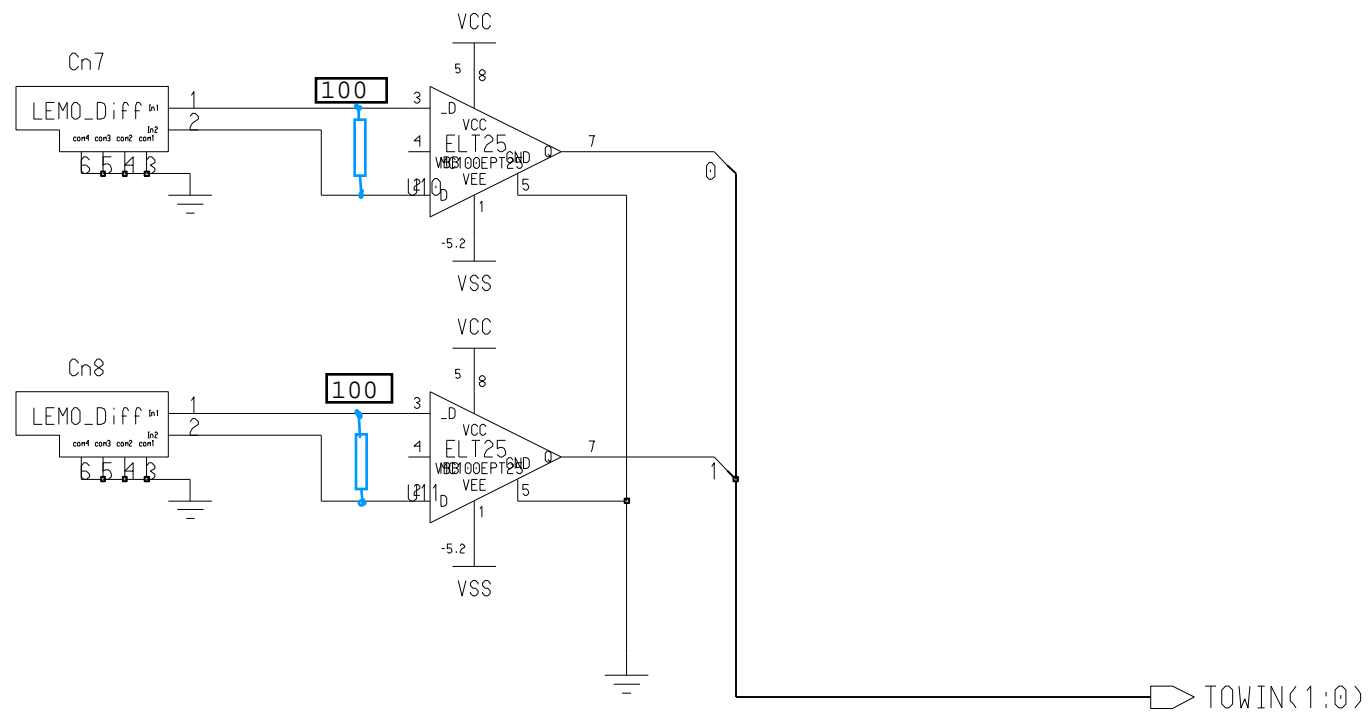
B

C

C

D

D



UNIVERSITY OF CHICAGO ELECTRONICS DEVELOPMENT GROUP	
TITLE CDF Level 1/ PreFRED AUX ECL	
DATE July 20, 2000 DRWN MB/CP-W Sheet 5 of 9	B-2469 REV A

1

2

3

4