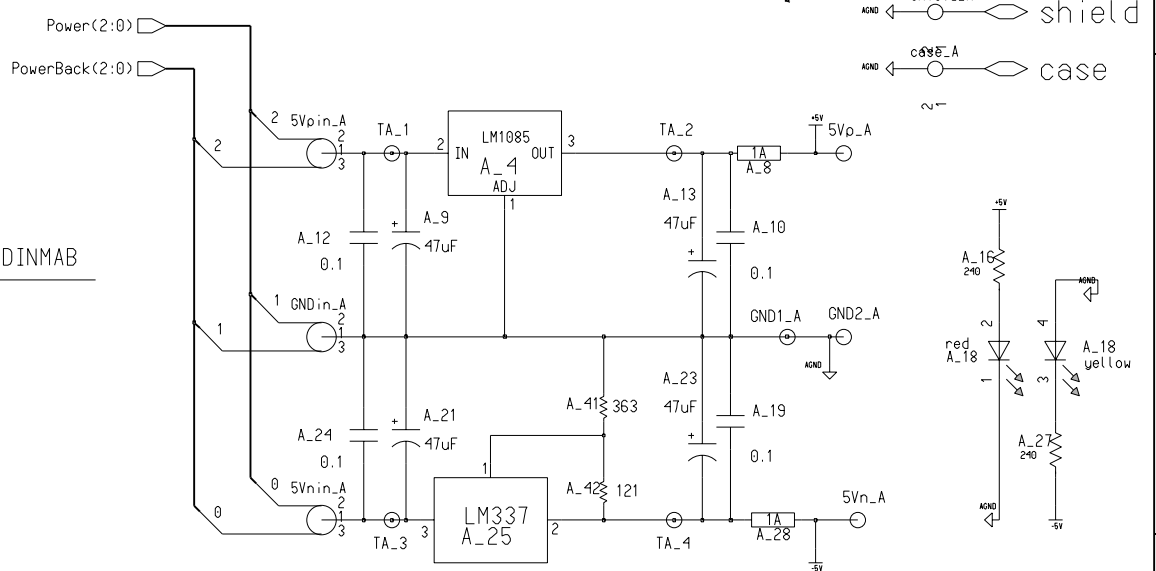
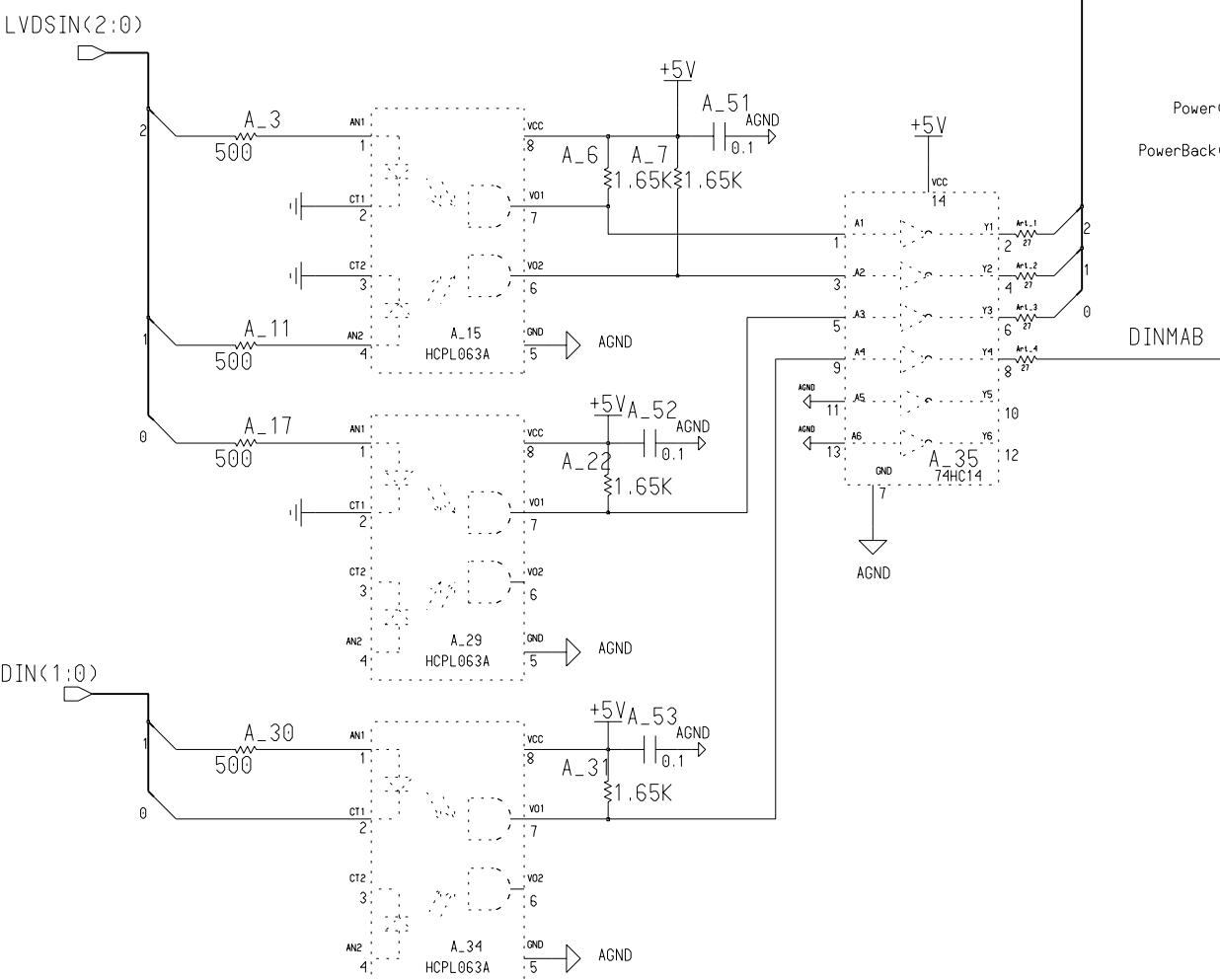
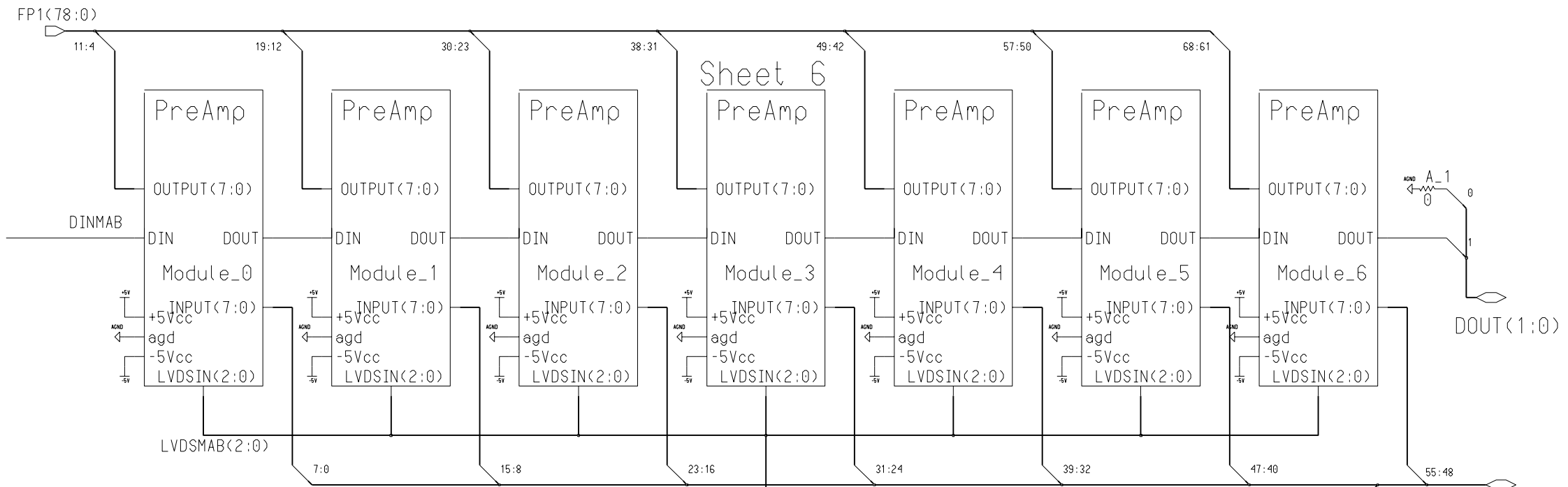


Sheet 6



Design <b>C. Bischoff, M. Bogdan</b>	The University of Chicago 5640 S. Ellis Ave. Chicago, IL 60637	
Engineer <b>M. Bogdan</b>	TITLE	Size C
R&D CHK	<b>PreAmp MAB_A QUIET_Preamp</b>	
DATE: 7/17/06		
TIME: 2:00 pm	REV A	DRW. B-2560
QA CHK	Sheet 3 of 6	