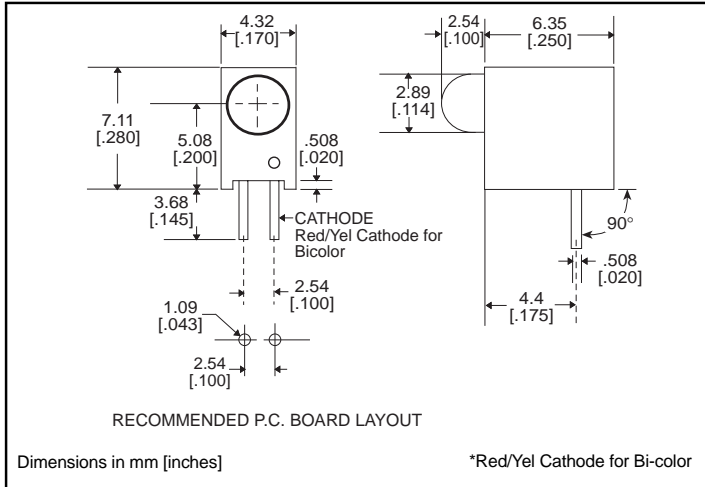


3mm

LED CBI® Circuit Board Indicator .200" High LED Centerline

Dialight

551-xx07



Standard Polarity shown in drawing: Cathode right

Benefits

- Quad block (551-xx07-004) available for reduced insertions
- Available with a variety of LEDs
- Housing material UL94V-0 rated
- Black housing enhances contrast
- High reliability - life measured in years
- Vibration and shock resistant
- Housing assures proper LED alignment
- Standoffs on housing facilitate PC board cleaning

LED Data

- For absolute maximum ratings and other electrical/optical data, refer to LED data sheet.

PART NO.

HIGH EFFICIENCY

- 551-0207
- 551-0307
- 551-0407
- 551-2507

COLOR

- Green
- Yellow
- Red
- Orange

INTEGRAL RESISTOR, 5V

- 551-0507
- 551-0607
- 551-0707

- Red
- Green
- Yellow

LOW CURRENT

- 551-1107
- 551-1207
- 551-1307

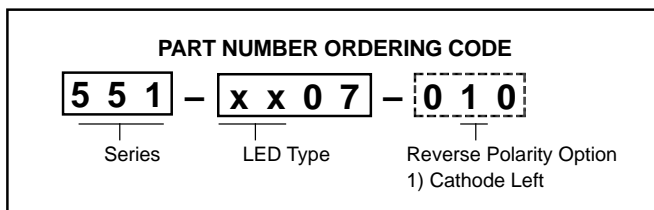
- Red
- Yellow
- Green

BI-COLOR

- 551-3007
- 551-3107

- Red/Green
- Yellow/Green

To order any of the 551-xx07 part numbers with Reverse Polarity (Cathode Left), please add -010 to the part numbers shown above.



-010 Ordering Code Suffix required ONLY for Reverse Polarity Option

Typical Operating Characteristics ($T_A=25^\circ\text{C}$)

See LED data sheet for additional information

HIGH EFFICIENCY

Part Number	Color	Peak Wavelength nm	I_V mcd	V_F Volts	Test Current (mA)	Viewing Angle $2\Theta_{1/2}$	LED Data sheet	Page #
551-0207	Green	563	16	2.1	10	45°	521-9408	4-63
551-0307	Yellow	585	6.3	2.1	10	45°	521-9428	4-63
551-0407	Red	650	10	2	10	45°	521-9427	4-63
551-2507	Orange	600	6.5	2.2	10	60°	521-9498	4-53

INTEGRAL RESISTOR, 5V

Part Number	Color	Peak Wavelength nm	I_V mcd	Test Voltage	Forward Current (mA)	Viewing Angle $2\Theta_{1/2}$	LED Data sheet	Page #
551-0507	Red	635	4	5	10	60°	521-9215	4-54
551-0607	Green	565	8	5	12	60°	521-9323	4-54
551-0707	Yellow	583	8	5	10	60°	521-9322	4-54

4

LOW CURRENT

Part Number	Color	Peak Wavelength nm	I_V mcd	V_F Volts	Test Current (mA)	Viewing Angle $2\Theta_{1/2}$	LED Data sheet	Page #
551-1107	Red	635	1.8	1.8	2	50°	521-9324	4-55
551-1207	Yellow	583	1.6	1.9	2	50°	521-9325	4-55
551-1307	Green	565	1.6	1.8	2	50°	521-9326	4-55

BI-COLOR

Bicolor data shown as red/green or yellow/green

Part Number	Color	Peak Wavelength nm	I_V mcd	V_F Volts	Test Current (mA)	Viewing Angle $2\Theta_{1/2}$	LED Data sheet	Page #
551-3007	Red/Green	635/565	5	2	10	50°	521-9459	4-58
551-3107	Yellow/Green	585/565	4.3/6.3	2.1*/2.1*	10	80°	521-9478	4-57

* $I_F = 20\text{mA}$