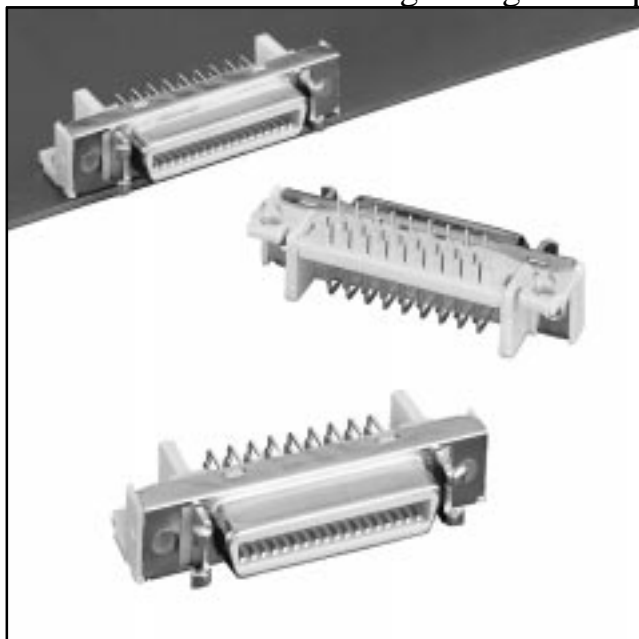


.050" Mini D Ribbon (MDR) Connectors

Boardmount Thru Hole Right Angle Receptacle — Shielded X102XX-55X3XX Series



- Boardmount thru hole right angle shielded I/O receptacle
- High temperature (SMT compatible) PCT material
- Ground lock board retention
- Ribbon type contact — industry preferred
- Reliable repetitive plugging/unplugging
- Latch design for easy use
- IEEE 1284 interface — 36 position
- MDR-digital LCD interface — 20, 26 position
- Positions: 14, 20, 26, 36, 40, 50 and 68

TS-0621-06
Sheet 1 of 3

Date Modified: February 19, 1999

135

Physical

Insulation

Material: Glass Reinforced Polyester (PCT)
Flammability: UL 94V-0
Color: See ordering information

Contact

Material: Copper Alloy (C521)
Plating
Underplate: See ordering information
Wiping Area: See ordering information

Shroud & Latch Hook

Material: Steel
Plating: Nickel

Ground Lock

Material: Copper Alloy
Plating: Tin Lead

Marking: 3M Logo and Part Number

Electrical

Current Rating: 1 A
Insulation Resistance: $>5 \times 10^8 \Omega$ at 500 Vdc
Withstanding Voltage: 500 Vrms for 1 Minute

Environmental

Temperature Rating: -55°C to $+105^\circ\text{C}$
Process Rating: Surface mount compatible up to 240°C peak for short durations

UL File No.: E68080

3M Interconnect Solutions Division

6801 River Place Blvd.
Austin, TX 78726-9000

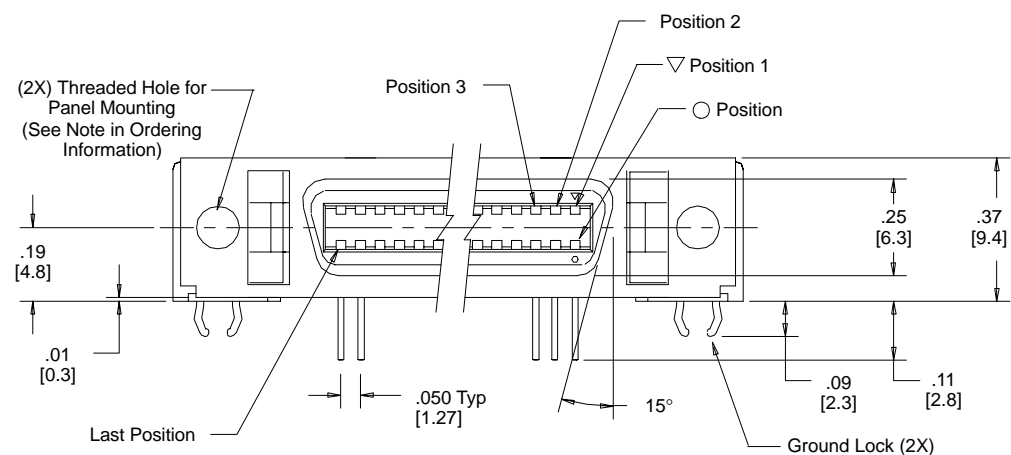
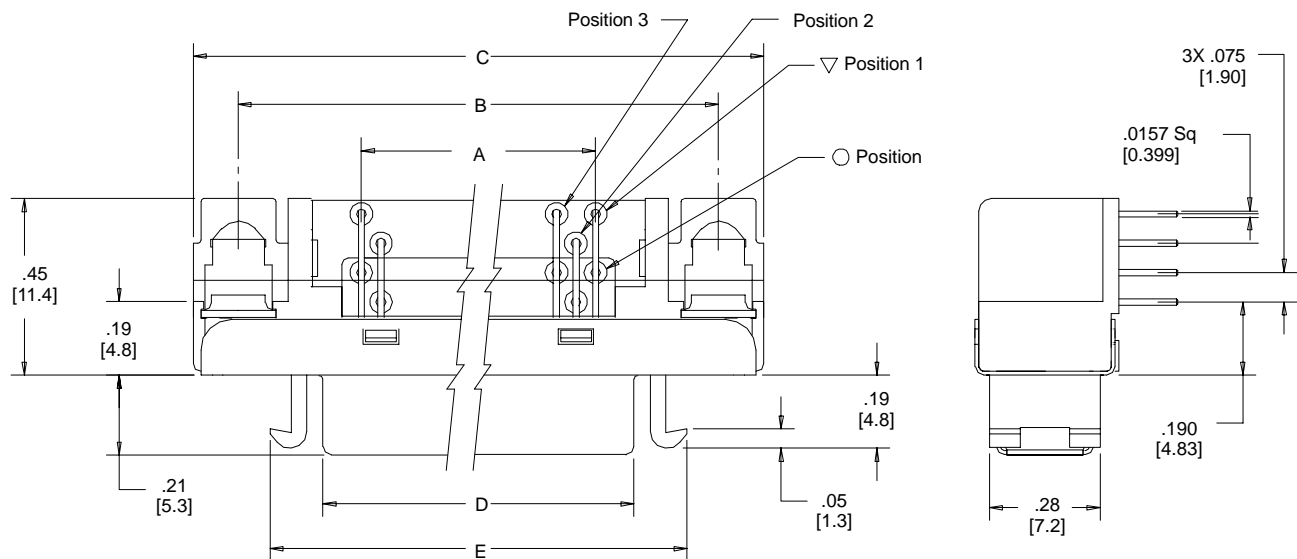
For technical, sales or ordering information call
800-225-5373

.050" Mini D Ribbon (MDR) Connectors

Boardmount Thru Hole Right Angle Receptacle — Shielded X102XX-55X3XX Series



Contact Quantity	Dimensions				
	A	B	C	D	E
14	.300 [7.62]	.93 [23.6]	1.16 [29.6]	.50 [12.6]	.77 [19.6]
20	.450 [11.43]	1.08 [27.5]	1.31 [33.4]	.65 [16.4]	.92 [23.4]
26	.600 [15.24]	1.23 [31.3]	1.46 [37.2]	.80 [20.2]	1.07 [27.2]
36	.850 [21.59]	1.48 [37.6]	1.71 [43.5]	1.05 [26.6]	1.32 [33.6]
40	.950 [24.13]	1.58 [40.2]	1.81 [46.1]	1.15 [29.1]	1.42 [36.1]
50	1.200 [30.48]	1.831 [46.50]	2.06 [52.5]	1.40 [35.5]	1.67 [42.5]
68	1.650 [41.91]	2.281 [57.93]	2.51 [63.9]	1.85 [46.9]	2.12 [53.9]



Inch
[mm]

Tolerance Unless Noted			
	.0	.00	.000
Inch	± .1	± .01	± .005

[] Dimensions for Reference only

Ordering Information

X102XX-55X3XX

Connector Material:
Blank = Beige
D = Black (20 pos. only)

Plating Options for Wiping Area:
JL = 8 μ" [0.2 μm] Min. Gold over 50 μ" [1.27 μm] Min. Ni.
VC = 30 μ" [0.76 μm] Min. Gold over 100 μ" [2.54 μm] Min. Ni.

Contact Quantity

Panelmount thread size
G = M2.5 (14, 20, 26, 36, 40 position)
H = #4-40 (20, 36, 50 & 68 position)

TS-0621-06
Sheet 2 of 3

Note: Must order panelmount screws: 3344-38 for M2.5, 3344-44 for #4-40.

3M Interconnect Solutions Division

6801 River Place Blvd.
Austin, TX 78726-9000

For technical, sales or ordering information call
800-225-5373

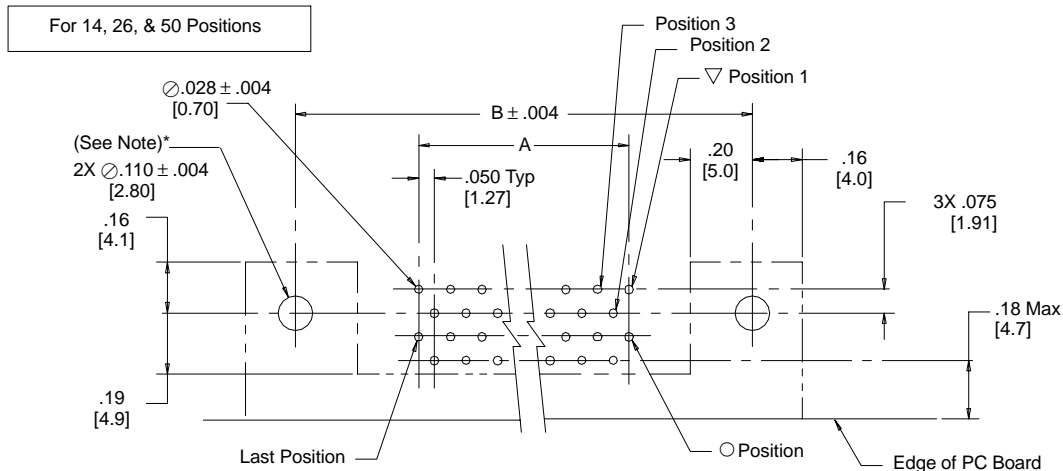
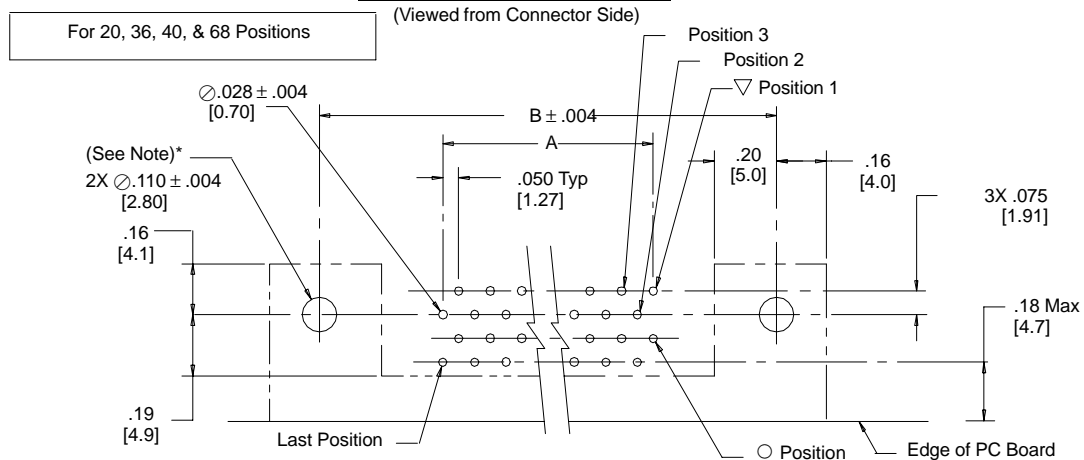
.050" Mini D Ribbon (MDR) Connectors

Boardmount Thru Hole Right Angle Receptacle — Shielded

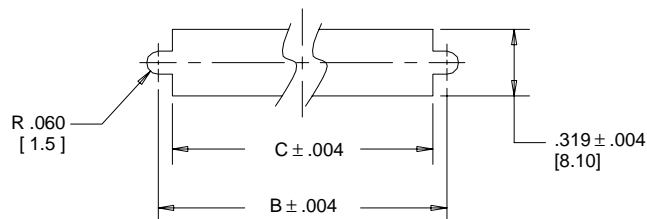
102XX-55X3VC Series

Contact Quantity	Dimensions		
	A	B	C
14	.300 [7.62]	.931 [23.64]	.78 [19.9]
20	.450 [11.43]	1.081 [27.45]	.94 [23.8]
26	.600 [15.24]	1.231 [31.26]	1.09 [27.6]
36	.850 [21.59]	1.481 [37.61]	1.33 [33.9]
40	.950 [24.13]	1.581 [40.15]	1.44 [36.5]
50	1.200 [30.48]	1.831 [46.50]	1.69 [42.8]
68	1.650 [41.91]	2.281 [57.93]	2.13 [54.2]

Recommended Board Layout



*Note: Plated through holes for .063 board thickness



Recommended Panel Cut-Out

Note: Panel thickness .079 [2.00] Max.

TS-0621-06
Sheet 3 of 3

3M Interconnect Solutions Division

6801 River Place Blvd.
Austin, TX 78726-9000

For technical, sales or ordering information call
800-225-5373