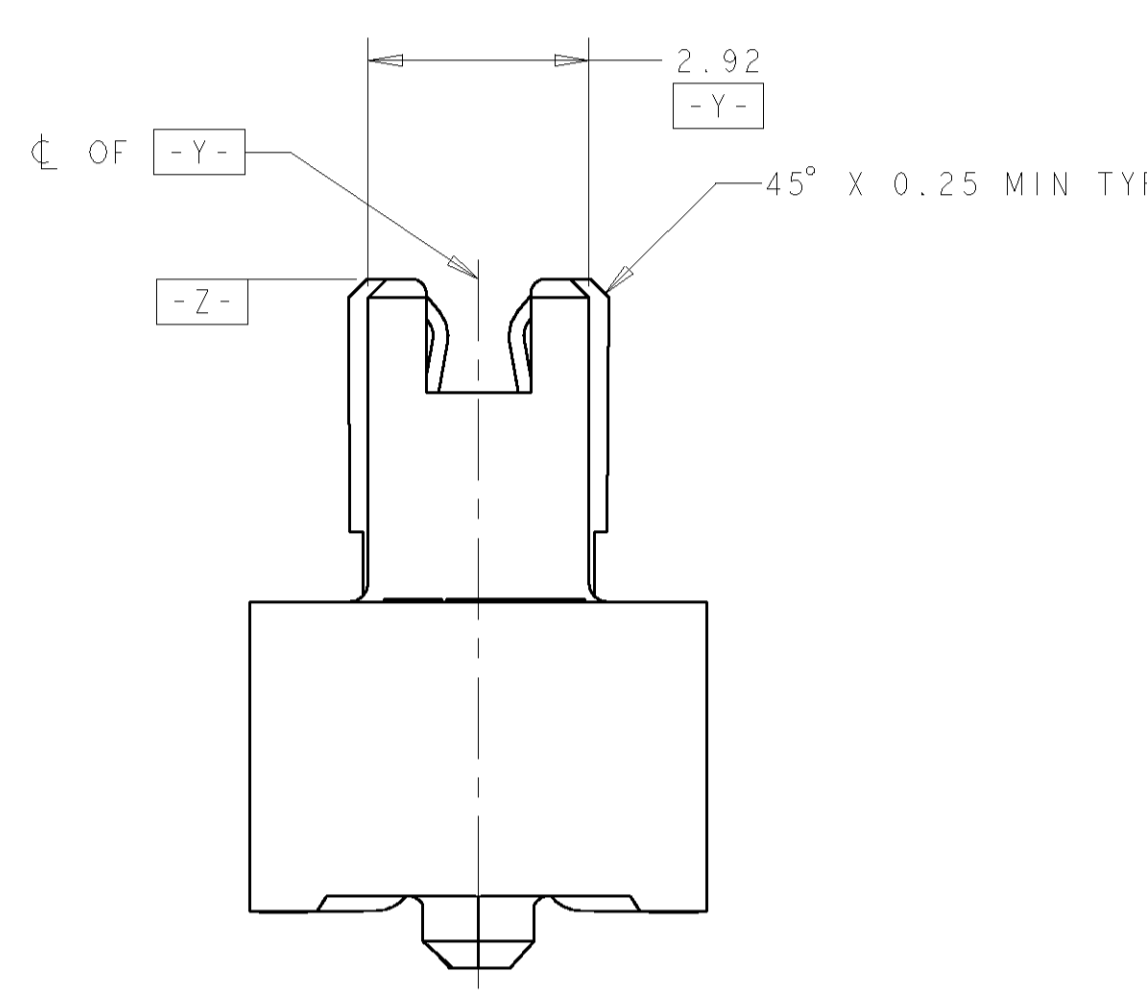
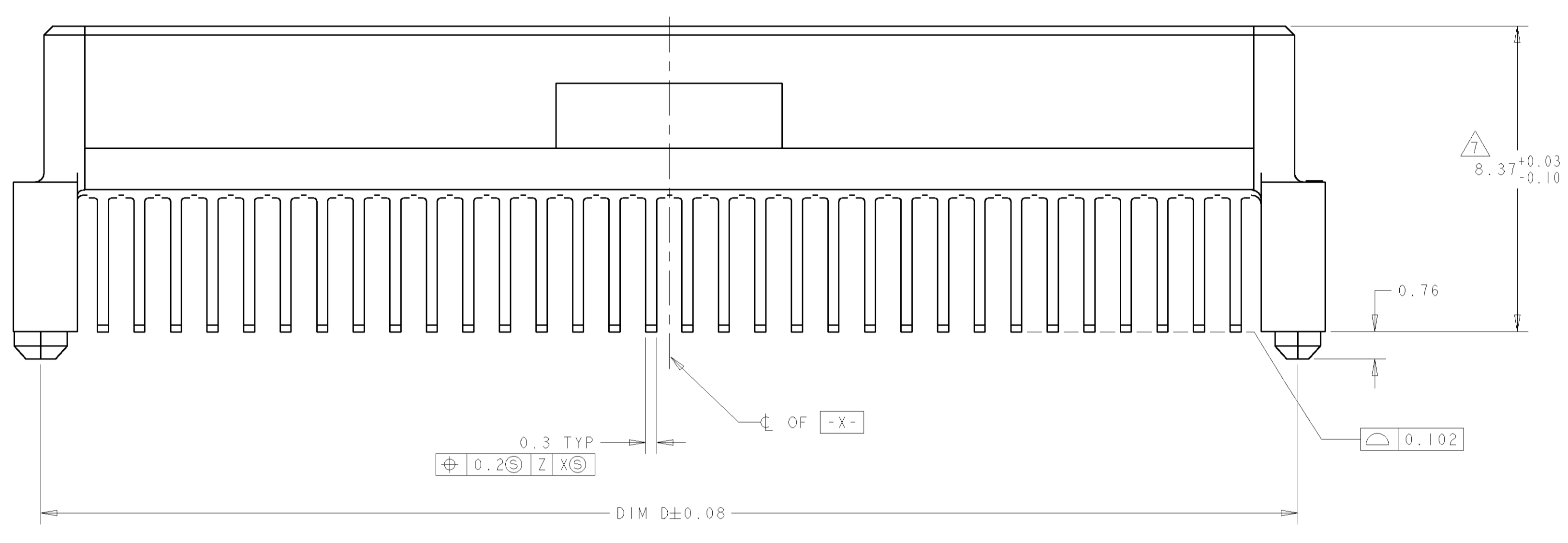
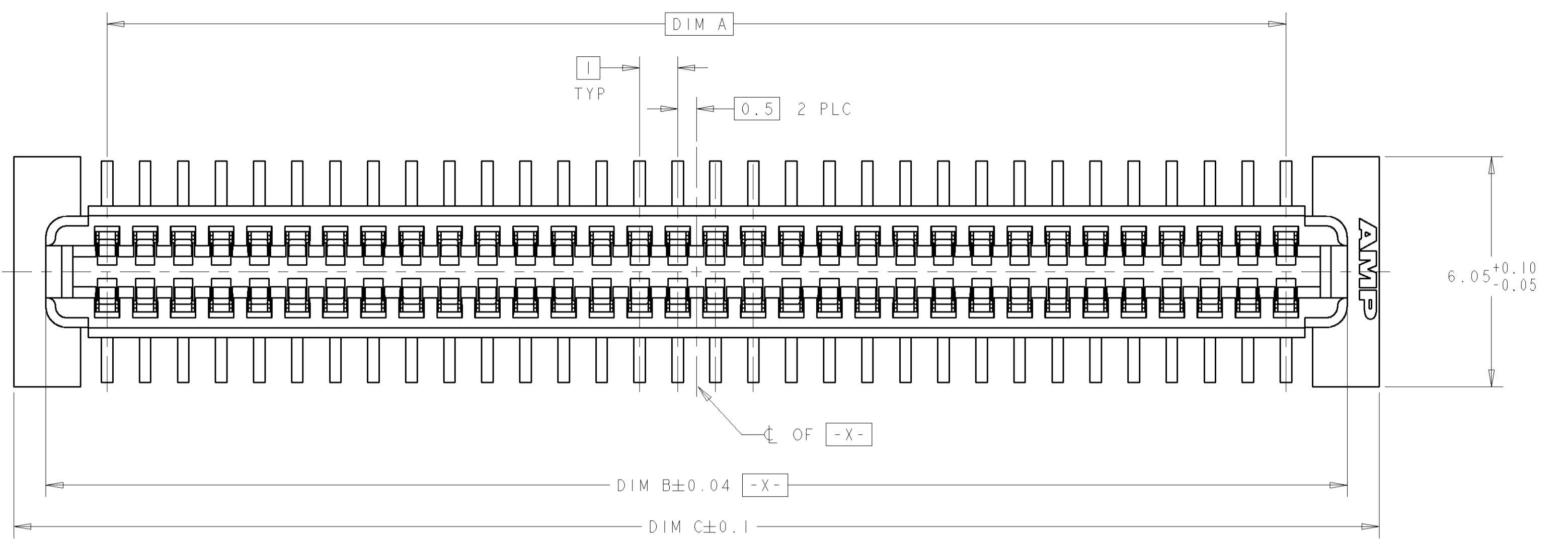
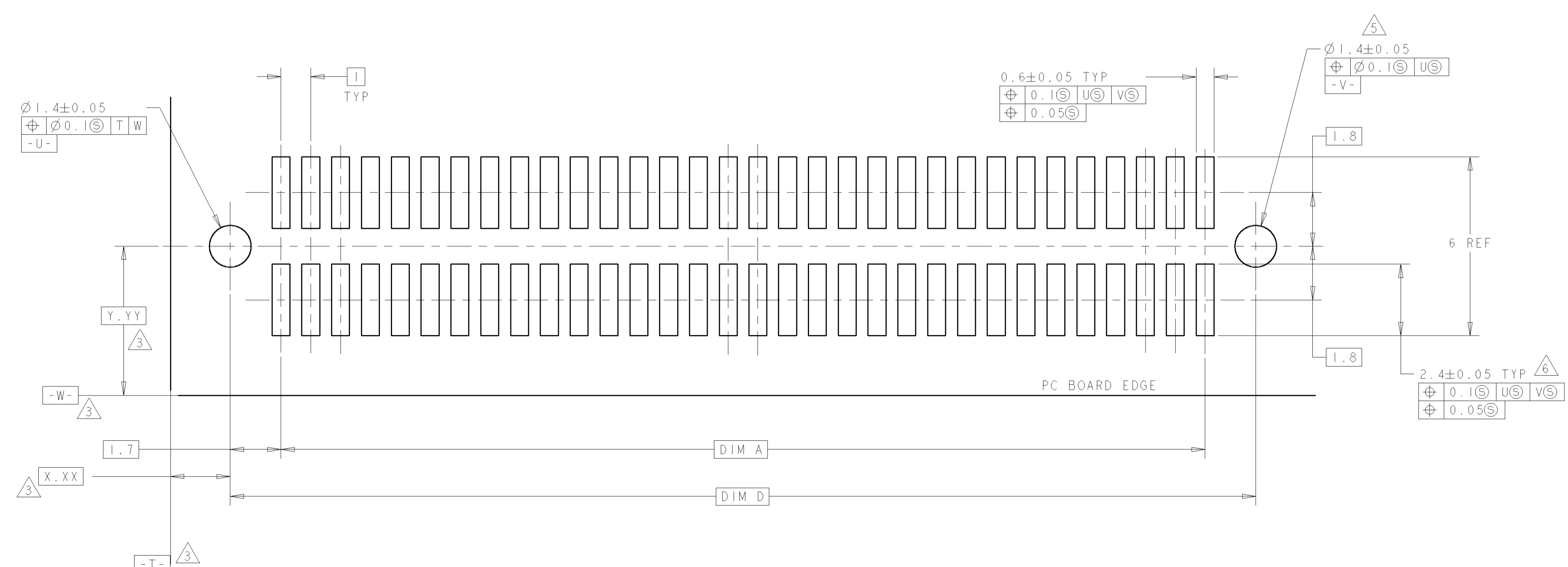


LOC		DIST		REVISIONS			
AD	39	F	LTK	DESCRIPTION	DATE	DWN	APVD
E				REVISED PER EC 051B-0205-00	07FEB01	JG	MG



- 1 HOUSING MATERIAL: POLYPHTHALAMIDE. COLOR: BLACK. CONTACT MATERIAL: PHOSPHOR BRONZE.
- 2 CONTACT FINISH: 0.00381 MINIMUM MATTE TIN-LEAD (93-7) ON SOLDER AREA, 0.00076 MINIMUM GOLD ON MATING AREA, BOTH OVER 0.00127 MINIMUM NICKEL ON ENTIRE CONTACT.
- 3 DATUM LOCATIONS AND BASIC DIMENSIONS TO BE ESTABLISHED BY THE CUSTOMER. CONSULT AMP ENGINEERING WHEN PLACING MULTIPLE CONNECTORS ON A PC BOARD.
- 4 PACKAGED IN TAPE ON REEL PER EIA-481.
- 5 1.5±0.05 DIAMETER HOLE SHOULD BE USED IF PLACED ON PCB WITH VACUUM PLACEMENT EQUIPMENT.
- 6 SHORTER SOLDER LANDS MAY BE USED PER EIA 700AAAB, HOWEVER 2.4 LENGTH ASSURES OPTIMUM SOLDER FILLET REGARDLESS OF MANUFACTURER OF CONNECTOR.
- 7 REFERRED TO AS DIM H = 8.3±0.1 IN EIA 700AAAB SPECIFICATION.



RECOMMENDED PC BOARD LAYOUT

44.4	45.9	44.22	41	120527-2	13	84	120523-2
34.4	35.9	34.22	31	120527-1	13	64	120523-1
DIM D	DIM C	DIM B	DIM A	MATING CONNECTOR	STACK HGTS	POS	PART NO

<small>THIS DRAWING IS A CONTROLLED DOCUMENT FOR AMP INCORPORATED. ALL CHANGES TO THIS DRAWING MUST BE APPROVED BY THE CONTROLLING ENGINEER. ORGANIZATION SHOULD BE CONTACTED FOR THE LATEST REVISION.</small>		DWN: J. REED 27/11/97 ENR: L. VO 27/11/97 APVD: -	AMP AMP Incorporated Harrisburg, PA 17105-3608
DIMENSIONS: mm 	TOLERANCES UNLESS OTHERWISE SPECIFIED: 0 PLC ± 1 PLC ± 2 PLC ±0.03 3 PLC ±0.003 4 PLC ± ANGLES ±0°30'	PRODUCT SPEC APPLICATION SPEC WEIGHT CUSTOMER DRAWING	NAME RCPT ASSY, 1.0mm FH(IEEE1386) CONNECTOR DRAWING NO C=120523 SCALE 10:1 SHEET 1 OF 1 REV F
MATERIAL	FINISH	SIZE	CAGE CODE
		A1	00779