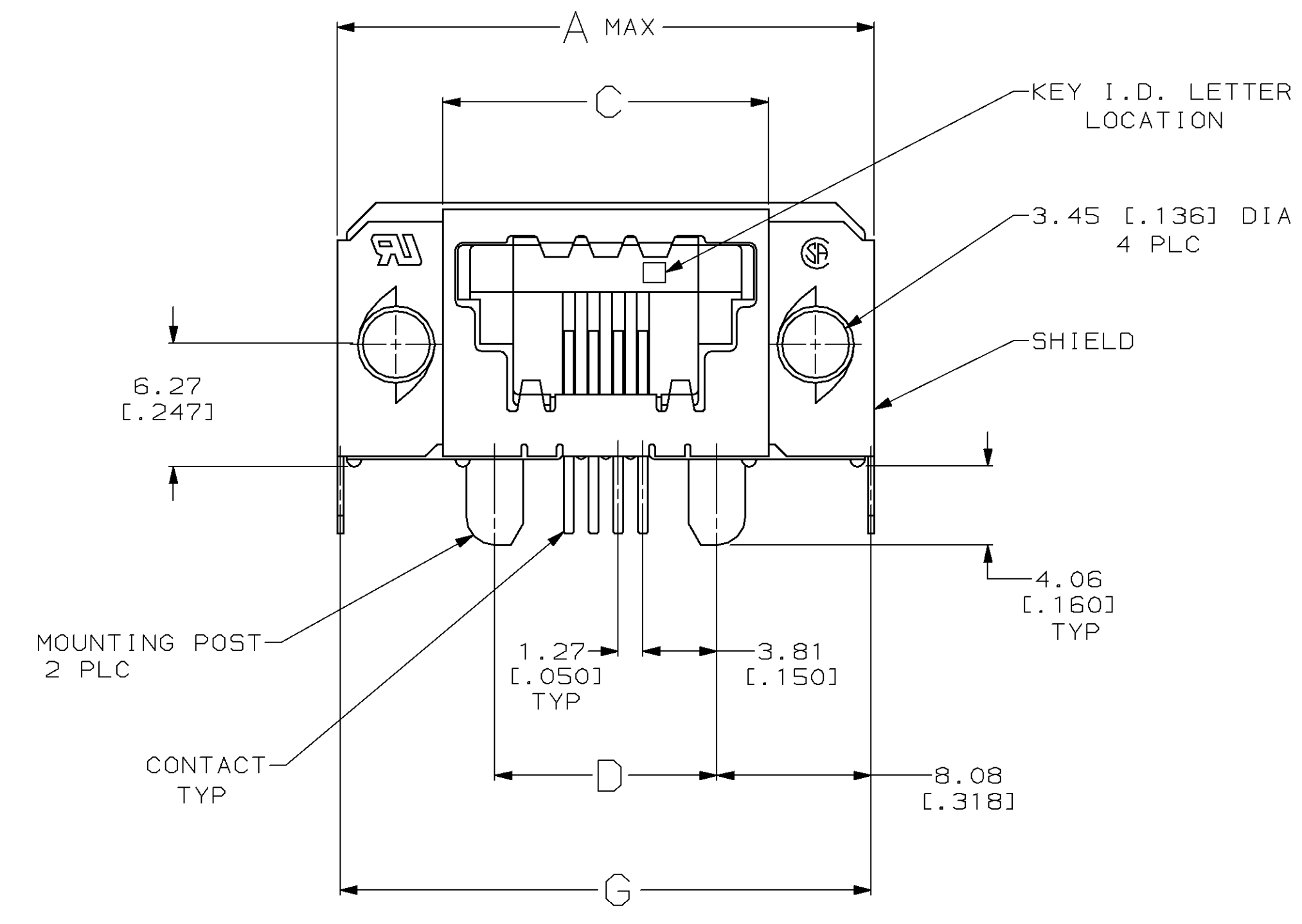
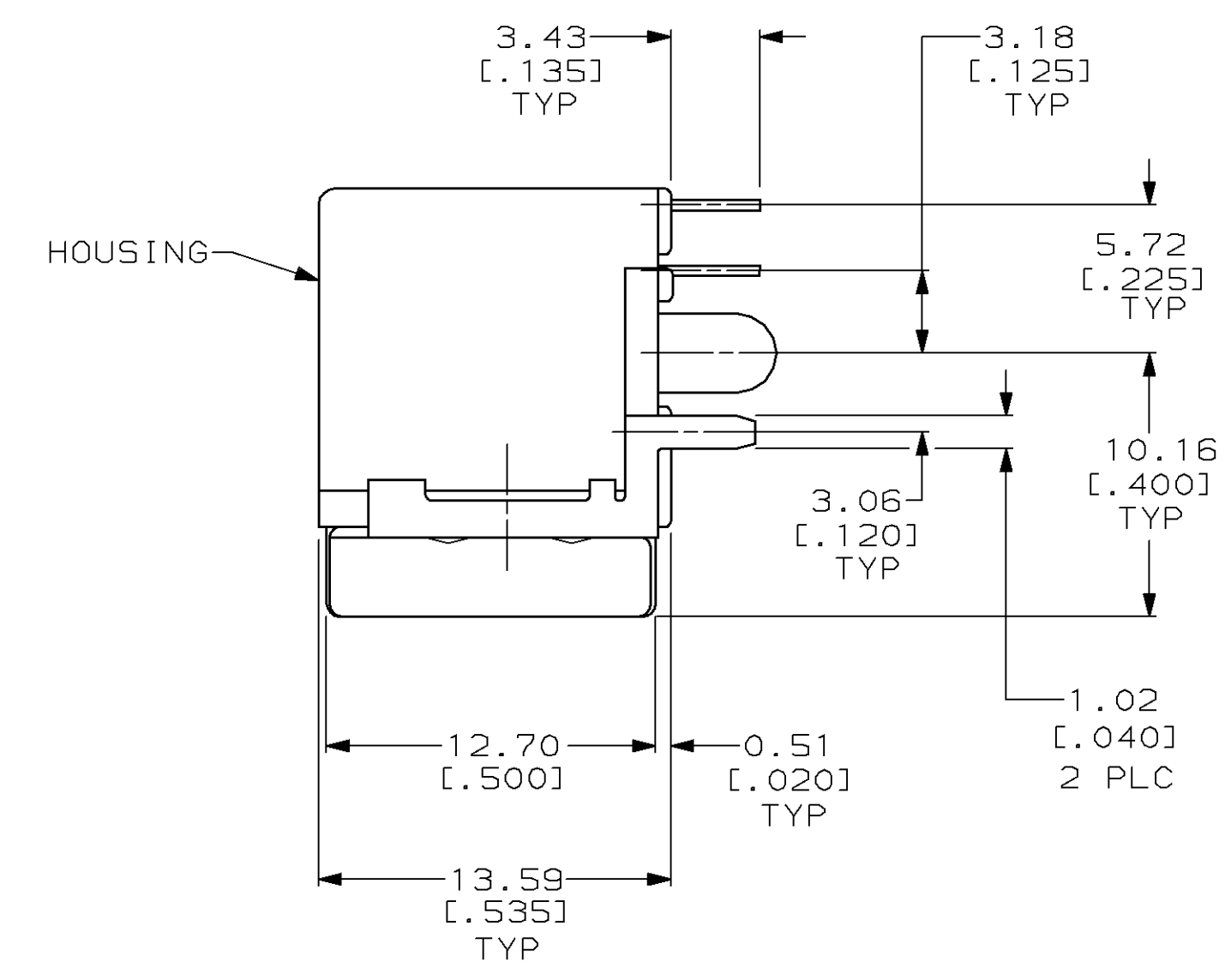
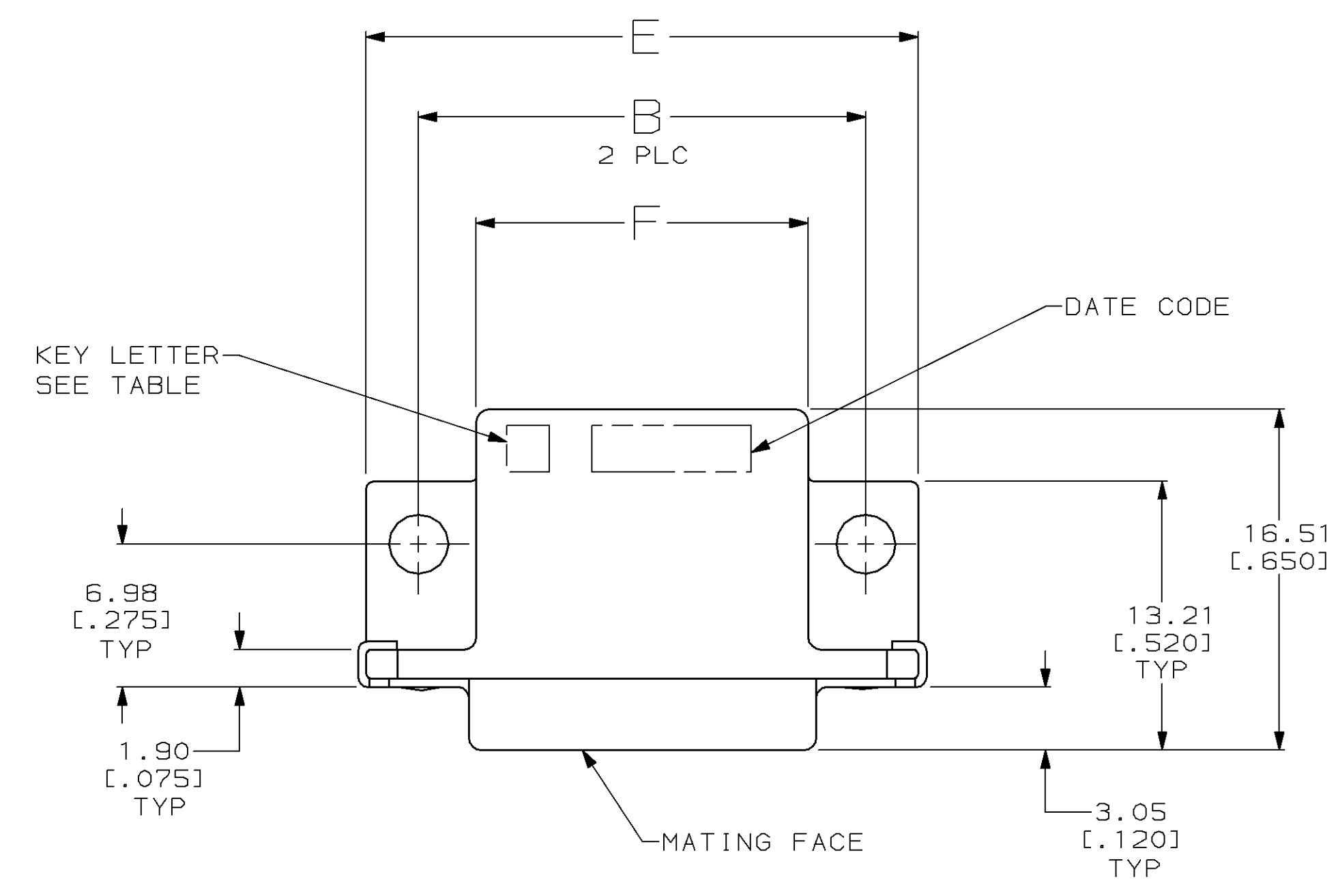


LOC	DIST	P	F	ZONE	LTR	REVISIONS			
						DESCRIPTION	DATE	APPD	
	BD	50				P	REDRAWN PER ECN BD 2867	3-19-89	-
						R	REVISED ECN BD3371	12-7-89	JP
						S	REVISED PER ECN BD3582	1-23-90	JP
						T	4--2 WAS REMOVED FROM RESTRICTION AND 4--6 WAS REACTIVATED PER ECN BD3590	2-2-90	JP
						U	REACTIVATED 2--3, 2--6 & 4--3 AND REMOVED 2--2 AND 4--2 FROM RESTRICTION PER ECN BD3544	2-12-90	JP
						V	REACTIVATE 1--1, 2--1 & 3--1 PER ECN BD4175	08/02/90	JP
						W	REV PER ECN BD4875	04/18/91	-
						Y	REVISED PER ECN BD5742	12/03/91	-
						Z	OBS 2-3, 3-2, 4-3 EC 0020-1575-93	04/26/94	SM
						AA	REACTIVATE 3--2 PER EC 0020-987-94	08/24/94	SM
						AB	REV PER EC 0020-1350-94	01/07/95	SM
						AC	REV PER EC 0020-271-95	04/11/95	RB
						AD	OBS -22, -26, -42, -61 PER EC 0020-475-95	24 OCT 95	RB
						AE	OBS -21, -31, -32, -36, -46 PER EC 0020-1120-95	28 AUG 95	JGH



	G	F	E	D	C	B	A	NO OF POSN	KEY I.D. LETTER	PART NO
OBSOLETE	27.33 [1.076]	16.00 [.630]	26.67 [1.050]	11.43 [.450]	16.74 [.659]	21.59 [.850]	27.94 [1.100]	4	F	6-520459-1
	42.57 [1.676]	31.24 [1.230]	41.91 [1.650]	26.67 [1.050]	31.98 [1.259]	36.83 [1.450]	43.18 [1.700]	16	E	5-520459-6
	32.41 [1.276]	21.08 [.830]	31.75 [1.250]	16.51 [.650]	21.82 [.859]	26.67 [1.050]	33.02 [1.300]	8	E	5-520459-3
	29.87 [1.176]	18.54 [.730]	29.21 [1.150]	13.97 [.550]	19.28 [.759]	24.13 [.950]	30.48 [1.200]	6	E	5-520459-2
	27.33 [1.076]	16.00 [.630]	26.67 [1.050]	11.43 [.450]	16.74 [.659]	21.59 [.850]	27.94 [1.100]	4	E	5-520459-1
OBSOLETE	42.57 [1.676]	31.24 [1.230]	41.91 [1.650]	26.67 [1.050]	31.98 [1.259]	36.83 [1.450]	43.18 [1.700]	16	D	4-520459-6
OBSOLETE	32.41 [1.276]	21.08 [.830]	31.75 [1.250]	16.51 [.650]	21.82 [.859]	26.67 [1.050]	33.02 [1.300]	8	D	4-520459-3
OBSOLETE	29.87 [1.176]	18.54 [.730]	29.21 [1.150]	13.97 [.550]	19.28 [.759]	24.13 [.950]	30.48 [1.200]	6	D	4-520459-2
	27.33 [1.076]	16.00 [.630]	26.67 [1.050]	11.43 [.450]	16.74 [.659]	21.59 [.850]	27.94 [1.100]	4	D	4-520459-1
OBSOLETE	42.57 [1.676]	31.24 [1.230]	41.91 [1.650]	26.67 [1.050]	31.98 [1.259]	36.83 [1.450]	43.18 [1.700]	16	C	3-520459-6
	32.41 [1.276]	21.08 [.830]	31.75 [1.250]	16.51 [.650]	21.82 [.859]	26.67 [1.050]	33.02 [1.300]	8	C	3-520459-3
OBSOLETE	29.87 [1.176]	18.54 [.730]	29.21 [1.150]	13.97 [.550]	19.28 [.759]	24.13 [.950]	30.48 [1.200]	6	C	3-520459-2
	27.33 [1.076]	16.00 [.630]	26.67 [1.050]	11.43 [.450]	16.74 [.659]	21.59 [.850]	27.94 [1.100]	4	C	3-520459-1
OBSOLETE	42.57 [1.676]	31.24 [1.230]	41.91 [1.650]	26.67 [1.050]	31.98 [1.259]	36.83 [1.450]	43.18 [1.700]	16	B	2-520459-6
OBSOLETE	32.41 [1.276]	21.08 [.830]	31.75 [1.250]	16.51 [.650]	21.82 [.859]	26.67 [1.050]	33.02 [1.300]	8	B	2-520459-3
OBSOLETE	29.87 [1.176]	18.54 [.730]	29.21 [1.150]	13.97 [.550]	19.28 [.759]	24.13 [.950]	30.48 [1.200]	6	B	2-520459-2
OBSOLETE	27.33 [1.076]	16.00 [.630]	26.67 [1.050]	11.43 [.450]	16.74 [.659]	21.59 [.850]	27.94 [1.100]	4	B	2-520459-1
	42.57 [1.676]	31.24 [1.230]	41.91 [1.650]	26.67 [1.050]	31.98 [1.259]	36.83 [1.450]	43.18 [1.700]	16	A	1-520459-6
	32.41 [1.276]	21.08 [.830]	31.75 [1.250]	16.51 [.650]	21.82 [.859]	26.67 [1.050]	33.02 [1.300]	8	A	1-520459-3
	29.87 [1.176]	18.54 [.730]	29.21 [1.150]	13.97 [.550]	19.28 [.759]	24.13 [.950]	30.48 [1.200]	6	A	1-520459-2
	27.33 [1.076]	16.00 [.630]	26.67 [1.050]	11.43 [.450]	16.74 [.659]	21.59 [.850]	27.94 [1.100]	4	A	1-520459-1

- PREFIX AND SUFFIX NUMBERS MUST MATCH THOSE ON PLUG ASSEMBLY FOR PARTS TO MATE.
- POLYESTER, FLAME RETARDANT, UL 94V-0 RATED, GLASS FILLED, BLACK.
- 3.81µm [.000150] MIN TIN-LEAD OVER 2.54µm [.000100] MIN COPPER.
- 1.27µm [.000050] MIN GOLD ON MATING SURFACE FOR A LENGTH OF 2.54 [.100] MIN, 3.81µm [.000150] MIN TIN-LEAD ON OPPOSITE END FOR A LENGTH OF 3.81 [.150] MIN, BOTH OVER 1.27µm [.000050] MIN NICKEL ON ENTIRE CONTACT.

DO NOT SCALE PRINT. UNLESS SPECIFIED DIMENSIONS IN mm [INCHES] TOLERANCES ON:

DR 3-19-89 W.G. LENKER	AMP INCORPORATED Harrisburg, Pa. 17105
CHK 8-7-89 R. STONE	
APPD 8-8-89 J. PRITULSKY	NAME
APPD 8-8-89 D. SUMMERS	RECEPTACLE ASSEMBLY, SIDE ENTRY WITH GROUND, SDL
PRODUCT SPEC 108-2047	SIZE <b>D</b>
APPLICATION SPEC 114-2081	FSCM NO 00779
SHIELD:  CONTACT:	DRAWING NO 520459
	SCALE 4:1
	SHEET 1 OF 1