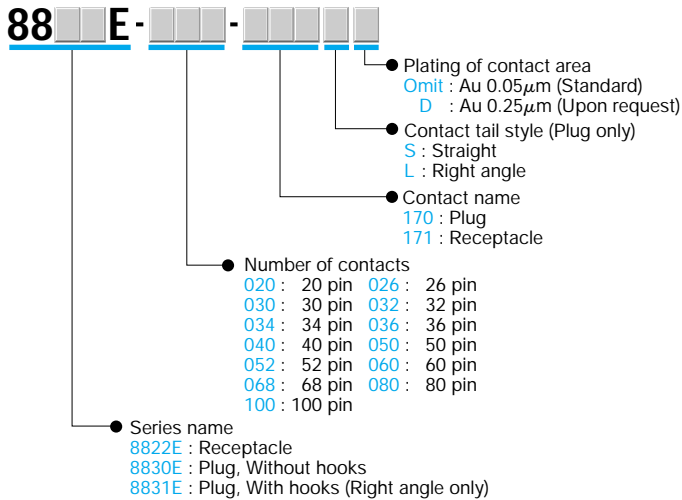


## FEATURES

- IDC for 1.27mm (50mil) flat cable (#28 AWG)
- Highly reliable straight beam contact design
- Low insertion and withdrawal force
- Easy to operate One-Touch locking ejector system
- Can be used with MIL-STD type IDC connectors (KEL 6100, 6200, 6200S, 6230 Series for example)
- 13 sizes, from 20 to 100 pins

### ● ORDER CODE



## SPECIFICATIONS

- Insulator : Glass-filled 66 Nylon (UL 94V-0), Black
- Contact : Copper alloy
- Plating :
  - Contact area ; Gold over Nickel
    - (1) Standard : 0.05 $\mu$ m min. Gold
    - (2) Upon request : 0.25 $\mu$ m min. Gold
  - Terminal area ; 2 $\mu$ m to 4 $\mu$ m Tin alloy over Nickel
- Current rating : 0.5A per contact
- Contact resistance : 30m $\Omega$  max.
- Dielectric withstanding voltage : 650V AC for 1 minute
- Insulation resistance : 1,000M $\Omega$  min. at 500V DC
- Operating temperature : -55 $^{\circ}$ C to +85 $^{\circ}$ C
- Recommended cable : #28 AWG (7/0.127), 1.27mm (50mil) pitch, Flat ribbon cable

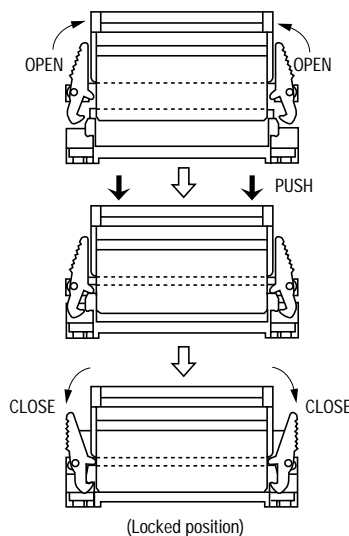
### 8822E Series locking ejector system

The 8822E Series locking ejector system is a reversal of the MIL-STD design (KEL 6200 Series), the locking ejectors are integral to the cable connector. The ejectors are automatically locked by insertion in the Plug connector like the MIL-STD design.

The latches remain within the connector outline to reduce the requirements for board space, are unlocked by applying inward pressure and can be operated with only one hand unlike the older designs. This design offers advantages for uses in today's high density electronic equipment.

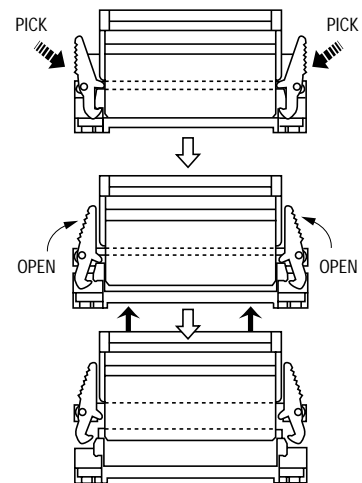
#### Way to insert

Open the ejectors of 8822E Series and insert into 8830E/8831E Series until the latches fully engage.



#### Way to withdrawal

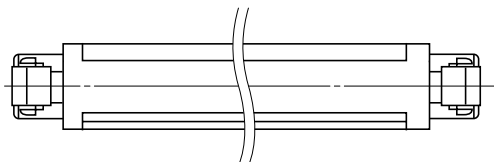
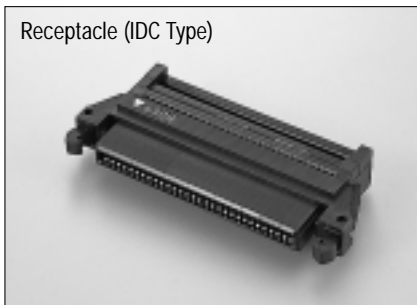
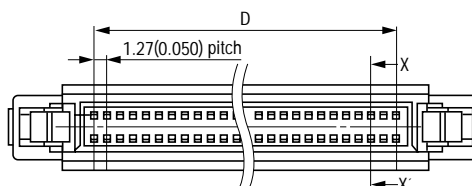
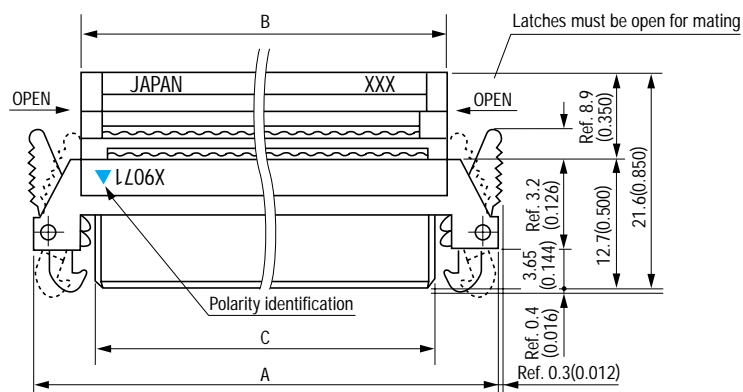
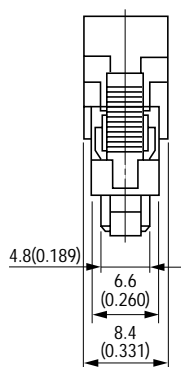
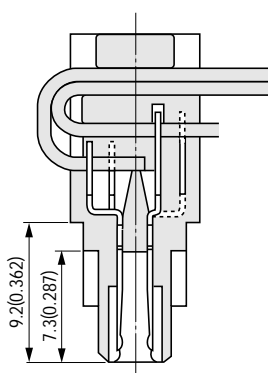
Press on both sides of the 8822E Series ejectors to release the connector from the Plug connector.



**8822E-□□□-171□ (Receptacle, With locking ejector)**

Unit:mm(inch)

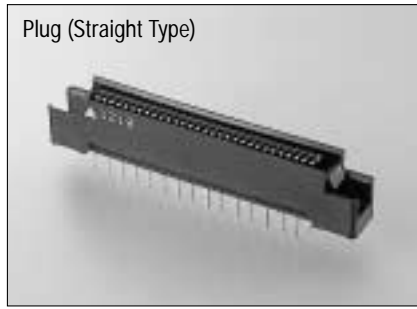
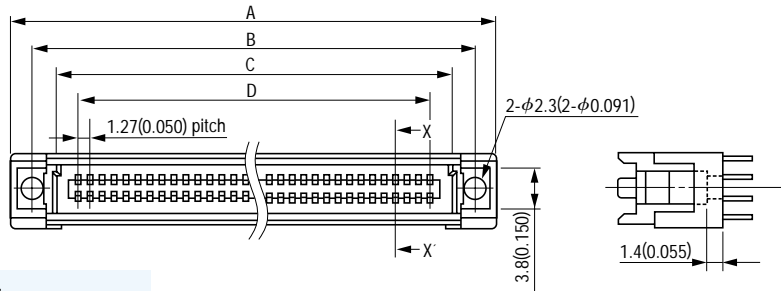
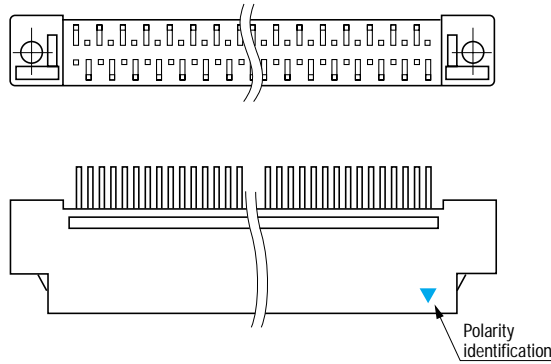
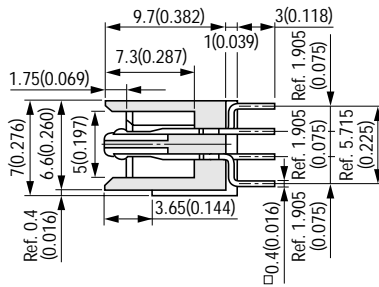
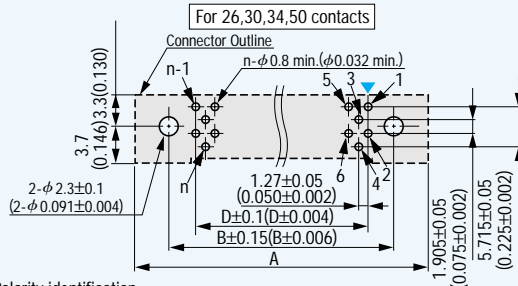
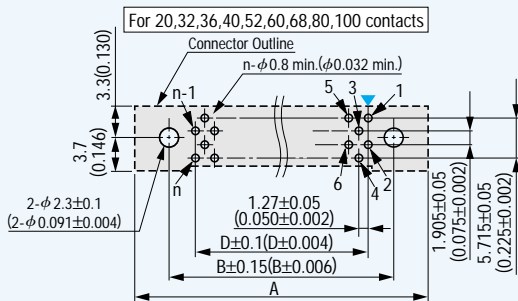
Receptacle (IDC Type)


**X-X' Cross Section**

**Product Table / Dimensions**

No. of contacts	Part Number	A	B	C	D
20	8822E-020-171□	27.83 (1.096)	17.83 (0.702)	15.43 (0.607)	11.43 (0.450)
26	8822E-026-171□	31.64 (1.246)	21.64 (0.852)	19.24 (0.757)	15.24 (0.600)
30	8822E-030-171□	34.18 (1.346)	24.18 (0.952)	21.78 (0.857)	17.78 (0.700)
32	8822E-032-171□	35.45 (1.396)	25.45 (1.002)	23.05 (0.907)	19.05 (0.750)
34	8822E-034-171□	36.72 (1.446)	26.72 (1.052)	24.32 (0.957)	20.32 (0.800)
36	8822E-036-171□	37.99 (1.496)	27.99 (1.102)	25.59 (1.007)	21.59 (0.850)
40	8822E-040-171□	40.53 (1.596)	30.53 (1.202)	28.13 (1.107)	24.13 (0.950)
50	8822E-050-171□	46.88 (1.846)	36.88 (1.452)	34.48 (1.357)	30.48 (1.200)
52	8822E-052-171□	48.15 (1.896)	38.15 (1.502)	35.75 (1.407)	31.75 (1.250)
60	8822E-060-171□	53.23 (2.096)	43.23 (1.702)	40.83 (1.607)	36.83 (1.450)
68	8822E-068-171□	58.31 (2.296)	48.31 (1.902)	45.91 (1.807)	41.91 (1.650)
80	8822E-080-171□	65.93 (2.596)	55.93 (2.202)	53.53 (2.107)	49.53 (1.950)
100	8822E-100-171□	78.63 (3.096)	68.63 (2.702)	66.23 (2.607)	62.23 (2.450)

**8830E-□□□-170S□ (Plug, With locking ejector)**

Unit:mm(inch)


**X-X' Cross Section**

**Printed Circuit Board Layout (Component Side View)**


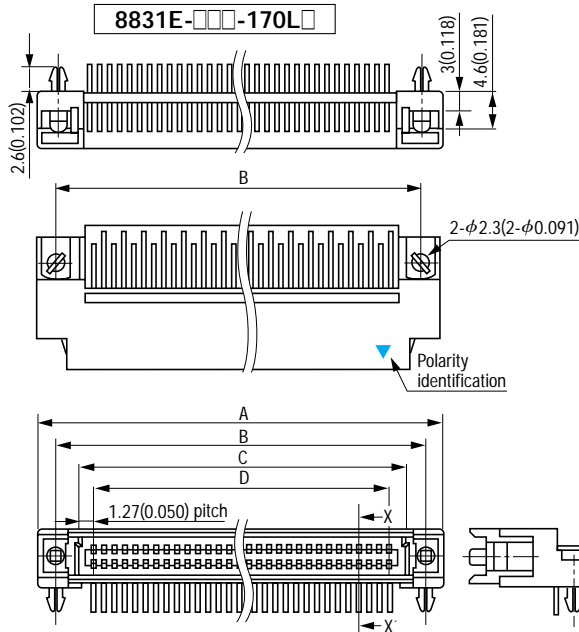
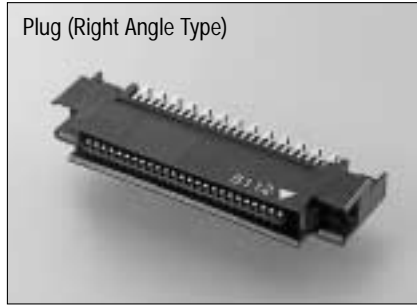
▼=Polarity identification  
 Recommended PCB Thickness t=1.6±0.19(0.063±0.007)  
 "n" is number of contacts.

**Product Table / Dimensions**

No. of contacts	Part Number	A	B	C	D
20	8830E-020-170S□	27.83 (1.096)	22.86 (0.900)	15.83 (0.623)	11.43 (0.450)
26	8830E-026-170S□	31.64 (1.246)	26.67 (1.050)	19.64 (0.773)	15.24 (0.600)
30	8830E-030-170S□	34.18 (1.346)	29.21 (1.150)	22.18 (0.873)	17.78 (0.700)
32	8830E-032-170S□	35.45 (1.396)	30.48 (1.200)	23.45 (0.923)	19.05 (0.750)
34	8830E-034-170S□	36.72 (1.446)	31.75 (1.250)	24.72 (0.973)	20.32 (0.800)
36	8830E-036-170S□	37.99 (1.496)	33.02 (1.300)	25.99 (1.023)	21.59 (0.850)
40	8830E-040-170S□	40.53 (1.596)	35.56 (1.400)	28.53 (1.123)	24.13 (0.950)
50	8830E-050-170S□	46.88 (1.846)	41.91 (1.650)	34.88 (1.373)	30.48 (1.200)
52	8830E-052-170S□	48.15 (1.896)	43.18 (1.700)	36.15 (1.423)	31.75 (1.250)
60	8830E-060-170S□	53.23 (2.096)	48.26 (1.900)	41.23 (1.623)	36.83 (1.450)
68	8830E-068-170S□	58.31 (2.296)	53.34 (2.100)	46.31 (1.823)	41.91 (1.650)
80	8830E-080-170S□	65.93 (2.596)	60.96 (2.400)	53.93 (2.123)	49.53 (1.950)
100	8830E-100-170S□	78.63 (3.096)	73.66 (2.900)	66.63 (2.623)	62.23 (2.450)

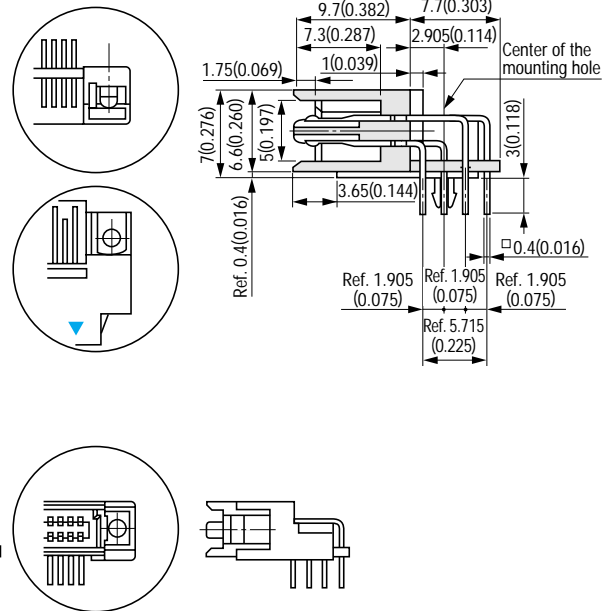
### 8830E/8831E-□□□-170L□ (Plug, With locking system)

Unit:mm(inch)

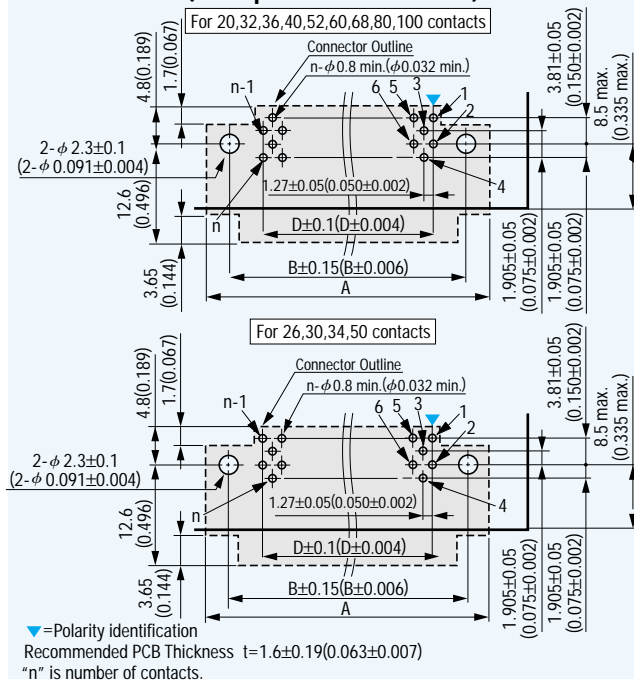


8830E-□□□-170L□

X-X' Cross Section



#### Printed Circuit Board Layout (Component Side View)



#### Product Table / Dimensions

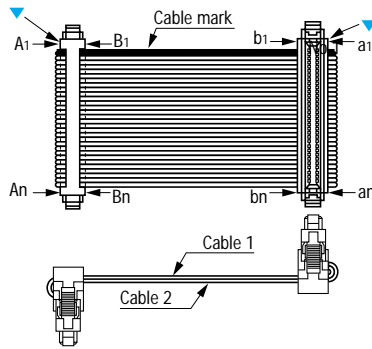
No. of contacts	Part Number	A	B	C	D
20	8830E-020-170L□	27.83 (1.096)	22.86 (0.900)	15.83 (0.623)	11.43 (0.450)
	8831E-020-170L□				
26	8830E-026-170L□	31.64 (1.246)	26.67 (1.050)	19.64 (0.773)	15.24 (0.600)
	8831E-026-170L□				
30	8830E-030-170L□	34.18 (1.346)	29.21 (1.150)	22.18 (0.873)	17.78 (0.700)
	8831E-030-170L□				
32	8830E-032-170L□	35.45 (1.396)	30.48 (1.200)	23.45 (0.923)	19.05 (0.750)
	8831E-032-170L□				
34	8830E-034-170L□	36.72 (1.446)	31.75 (1.250)	24.72 (0.973)	20.32 (0.800)
	8831E-034-170L□				
36	8830E-036-170L□	37.99 (1.496)	33.02 (1.300)	25.99 (1.023)	21.59 (0.850)
	8831E-036-170L□				
40	8830E-040-170L□	40.53 (1.596)	35.56 (1.400)	28.53 (1.123)	24.13 (0.950)
	8831E-040-170L□				
50	8830E-050-170L□	46.88 (1.846)	41.91 (1.650)	34.88 (1.373)	30.48 (1.200)
	8831E-050-170L□				
52	8830E-052-170L□	48.15 (1.896)	43.18 (1.700)	36.15 (1.423)	31.75 (1.250)
	8831E-052-170L□				
60	8830E-060-170L□	53.23 (2.096)	48.26 (1.900)	41.23 (1.623)	36.83 (1.450)
	8831E-060-170L□				
68	8830E-068-170L□	58.31 (2.296)	53.34 (2.100)	46.31 (1.823)	41.91 (1.650)
	8831E-068-170L□				
80	8830E-080-170L□	65.93 (2.596)	60.96 (2.400)	53.93 (2.123)	49.53 (1.950)
	8831E-080-170L□				
100	8830E-100-170L□	78.63 (3.096)	73.66 (2.900)	66.63 (2.623)	62.23 (2.450)
	8831E-100-170L□				

### ORDER CODE

**8822E-171**

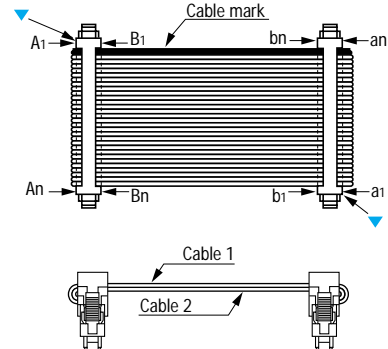
- No. of contacts
  - 020 : 20 pin
  - 026 : 26 pin
  - 030 : 30 pin
  - 032 : 32 pin
  - 034 : 34 pin
  - 040 : 40 pin
  - 050 : 50 pin
  - 052 : 52 pin
  - 060 : 60 pin
  - 068 : 68 pin
  - 080 : 80 pin
  - 100 : 100 pin
- Contact name
  - 171
- Plating of contact area
  - Omit : Au 0.05 $\mu$ m (Standard)
  - D : Au 0.25 $\mu$ m (Upon request)
- Series name
  - 8822E : One-touch locking ejector system
- Wiring code (AA, AC, AO, CO)
- Cable type
  - Omit : Flat cable
  - \* S : Intermittent bonded cable
  - \* T : Twist&Flat cable
- Cable length (cm)
  - L dimension (3cm min.)
  - (Example: 008=8cm)

### 8822E-171-AA



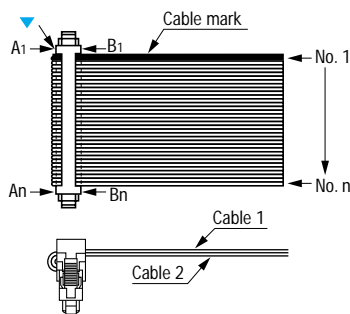
A1—Cable 1 / No. 1—b1  
 A2—Cable 1 / No. 2—b2  
 ⋮  
 An—Cable 1 / No. n—bn  
 B1—Cable 2 / No. 1—a1  
 B2—Cable 2 / No. 2—a2  
 ⋮  
 Bn—Cable 2 / No. n—an

### 8822E-171-AC



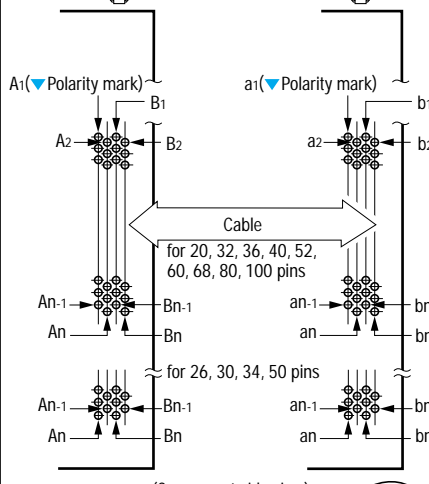
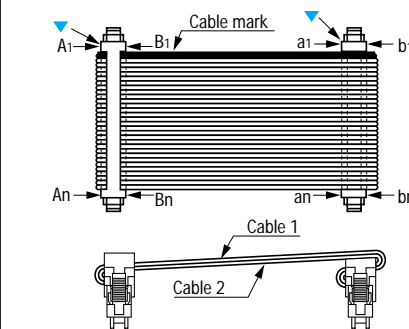
A1—Cable 1 / No. 1—an  
 A2—Cable 1 / No. 2—an-1  
 ⋮  
 An—Cable 1 / No. n—a1  
 B1—Cable 2 / No. 1—bn  
 B2—Cable 2 / No. 2—bn-1  
 ⋮  
 Bn—Cable 2 / No. n—b1

### 8822E-171-AO



A1—Cable 1 / No. 1  
 A2—Cable 1 / No. 2  
 ⋮  
 An—Cable 1 / No. n  
 B1—Cable 2 / No. 1  
 B2—Cable 2 / No. 2  
 ⋮  
 Bn—Cable 2 / No. n

▼=Polarity identification

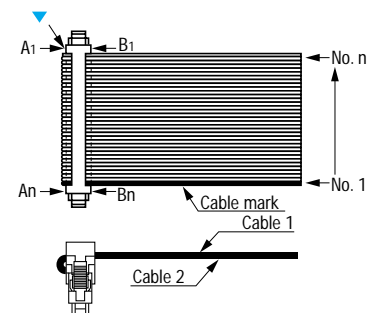


(Component side view)

A1—b1  
 A2—b2  
 ⋮  
 An—bn  
 B1—a1  
 B2—a2  
 ⋮  
 Bn—an

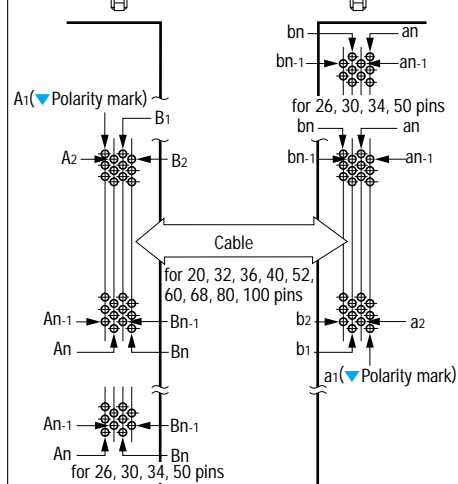
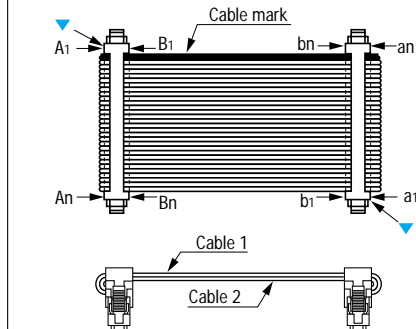
▼=Polarity identification

### 8822E-171-CO



A1—Cable 1 / No. n  
 A2—Cable 1 / No. n-1  
 ⋮  
 An—Cable 1 / No. 1  
 B1—Cable 2 / No. n  
 B2—Cable 2 / No. n-1  
 ⋮  
 Bn—Cable 2 / No. 1

▼=Polarity identification



(Component side view)

A1—an  
 A2—an-1  
 ⋮  
 An—a1  
 B1—bn  
 B2—bn-1  
 ⋮  
 Bn—b1

▼=Polarity identification

\* Connectors are terminated in the laminated areas of intermittent bonded or Twist&Flat cable, so cable lengths is restricted.