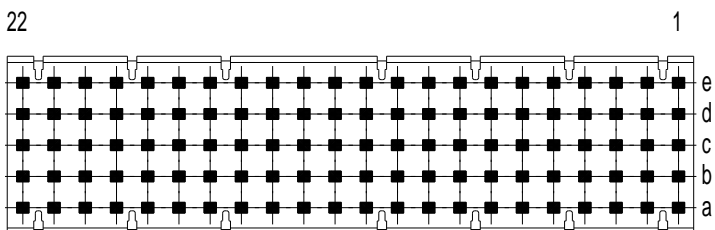
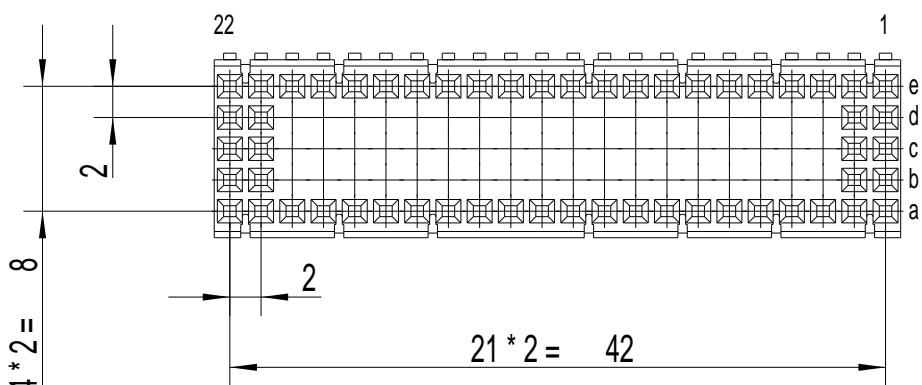


Bestueckungsplan - *contact layout*

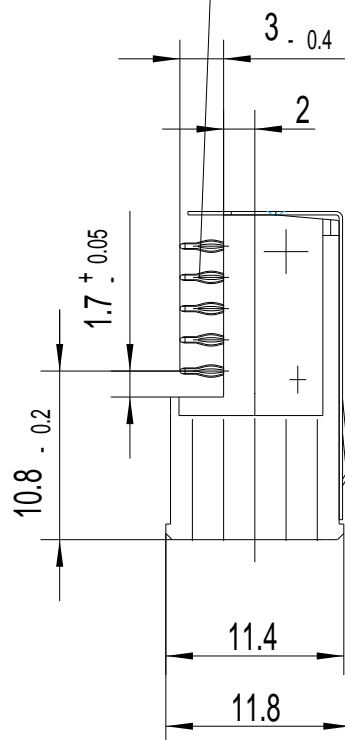
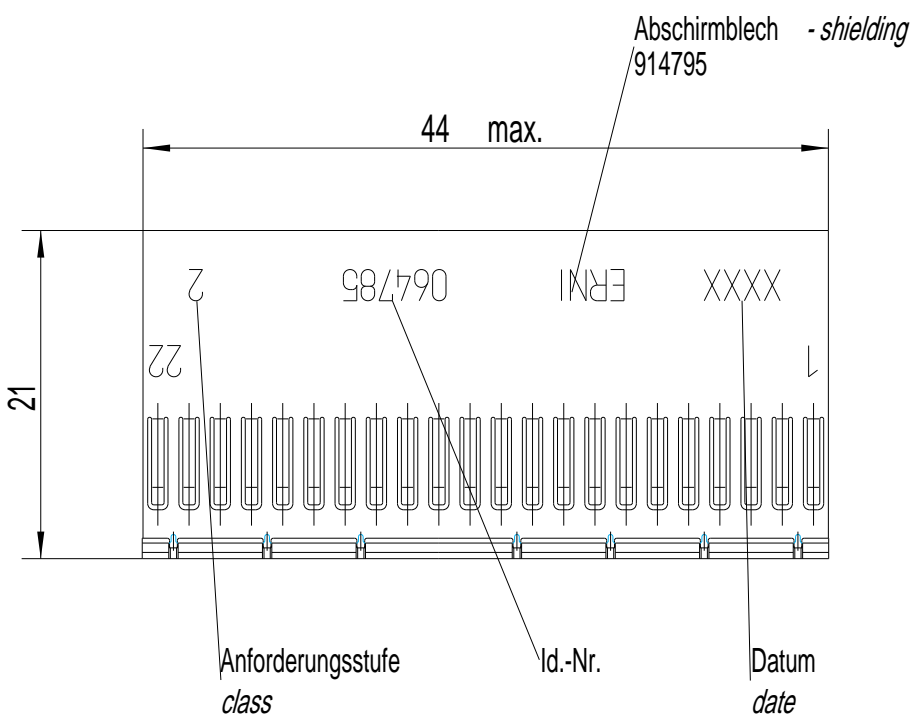


□ = bestueckt - *assemble*



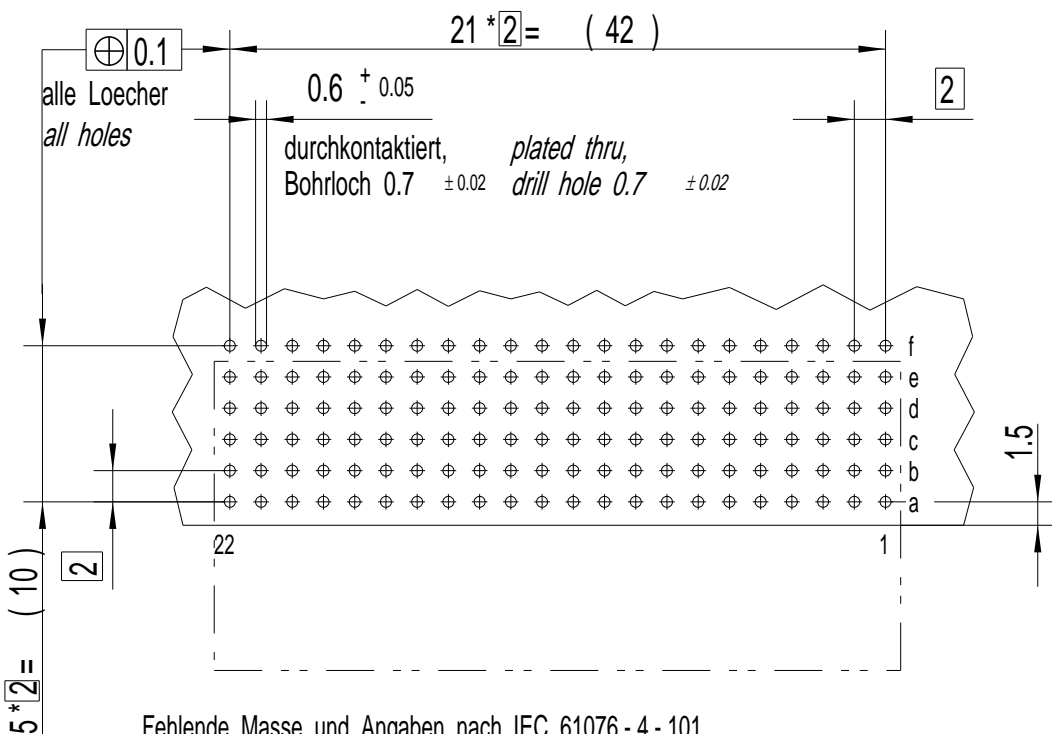
EE - Zone fuer durchkontaktierte Loecher [0.6 ± 0.05

Compliant zone for thru hole [0.6 ± 0.05



Lochbild fuer Leiterplatte (Bestueckungsseite)

Board hole pattern (Component mounting side)



Fehlende Masse und Angaben nach IEC 61076 - 4 - 101
Missing information and dimensions per IEC 61076 - 4 - 10

Consider protection memo from DIN 34 All rights reserved. Only for information. To insure that this is the latest version of this drawing, please contact one of the ERNI companies before using. Subject to modification without prior notice. Drawing will not be updated.	Information : Abschirmblech oben montiert <i>shielding mounted on top</i>	Tolerances All Dimensions in mm	Scale 2:1	Designation ERmet Federleiste B 22 <i>ERmet Female Type B 22</i>
	Elektroapparate GmbH D-73099 ADELBERG	Part Group	Part Type	064785