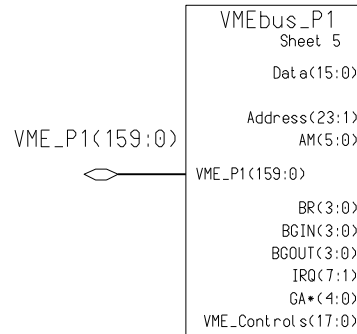


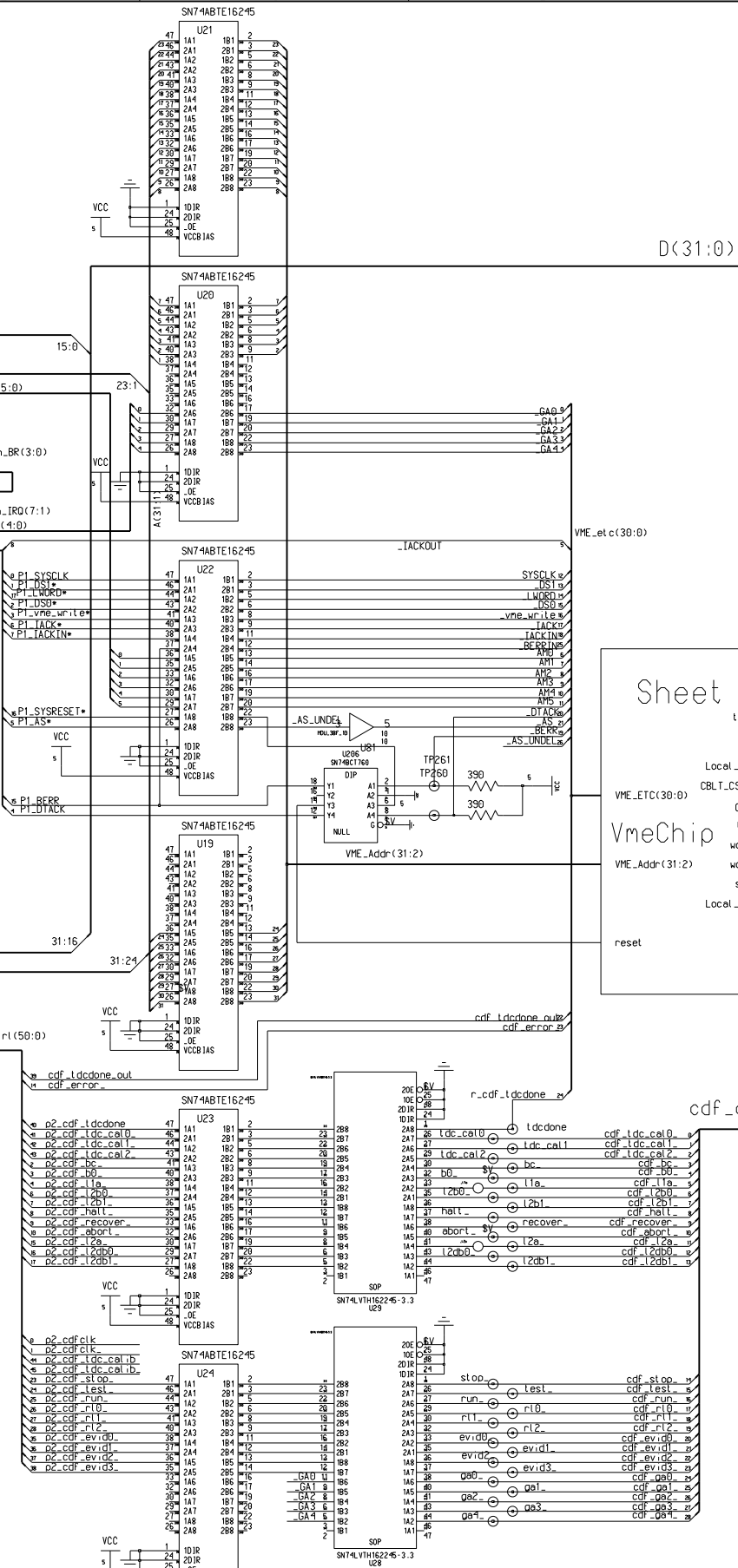
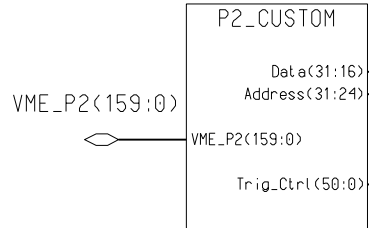
Sheet 3



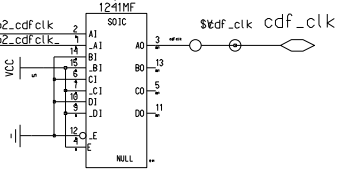
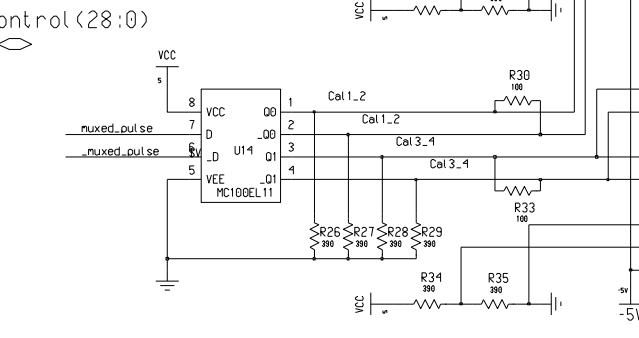
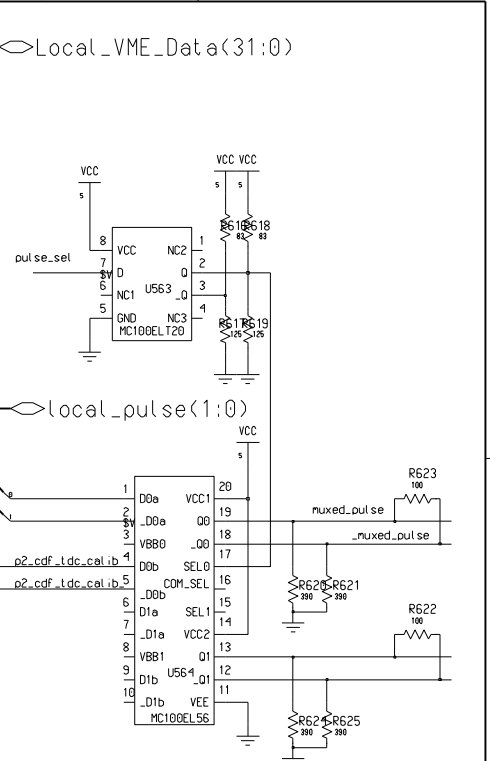
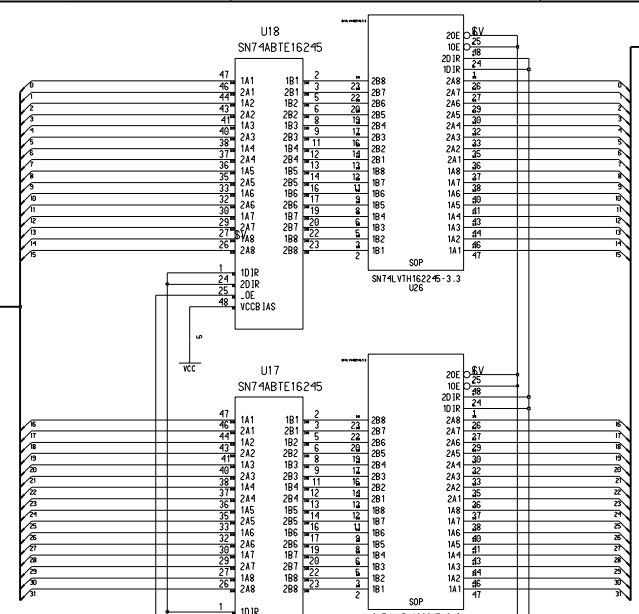
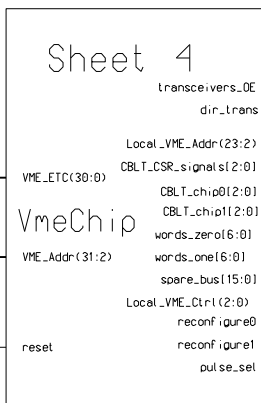
Sheet 5



Sheet 6



Sheet 4



Engineer	M. Bogdan	The University of Chicago	
Drawn by	M. Bogdan	5640 S. Ellis Ave. Chicago, IL 60637	
R&D CHK		TITLE	Size C
DATE:	7/07/04	VME Interface	
TIME:	2:00 pm	Time to Digital Converter	
QA CHK		REV B	DRW. C-2529
		Sheet 2 of 16	