

| CONF SCHM | MSEL2 | MSEL1 | MSEL0 | CONF | VOLT |
|-----------|-------|-------|-------|------|---------|
| AS | 1 | 0 | 1 | FAST | 3.3 |
| | 0 | 1 | 1 | FST | 3.0 2.5 |
| | 0 | 0 | 1 | STD | 3.3 |
| | 0 | 1 | 0 | STD | 3.0 2.5 |

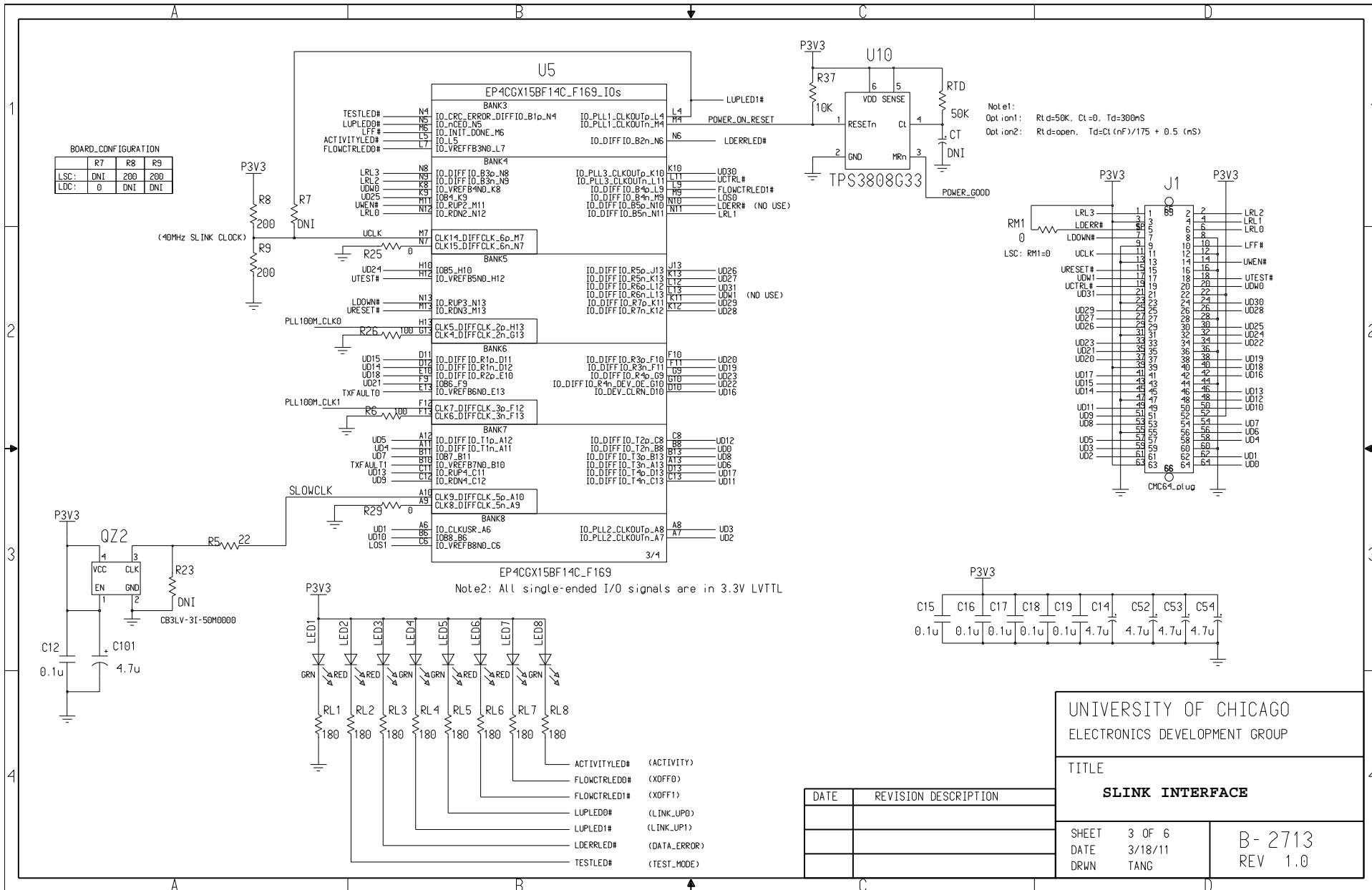
UNIVERSITY OF CHICAGO
ELECTRONICS DEVELOPMENT GROUP

TITLE
IN-SYSTEM CONFIGURATION

| | | |
|-------|---------|-------------------|
| SHEET | 2 OF 6 | B-2713 REV 1.0 |
| DATE | 3/18/11 | |
| DRWN | TANG | |

| DATE | REVISION DESCRIPTION |
|------|----------------------|
| | |
| | |
| | |

| BOARD_CONFIGURATION | | | |
|---------------------|-----|-----|-----|
| LSC: | R7 | R8 | R9 |
| DNI | 200 | 200 | |
| LDC: | 0 | DNI | DNI |

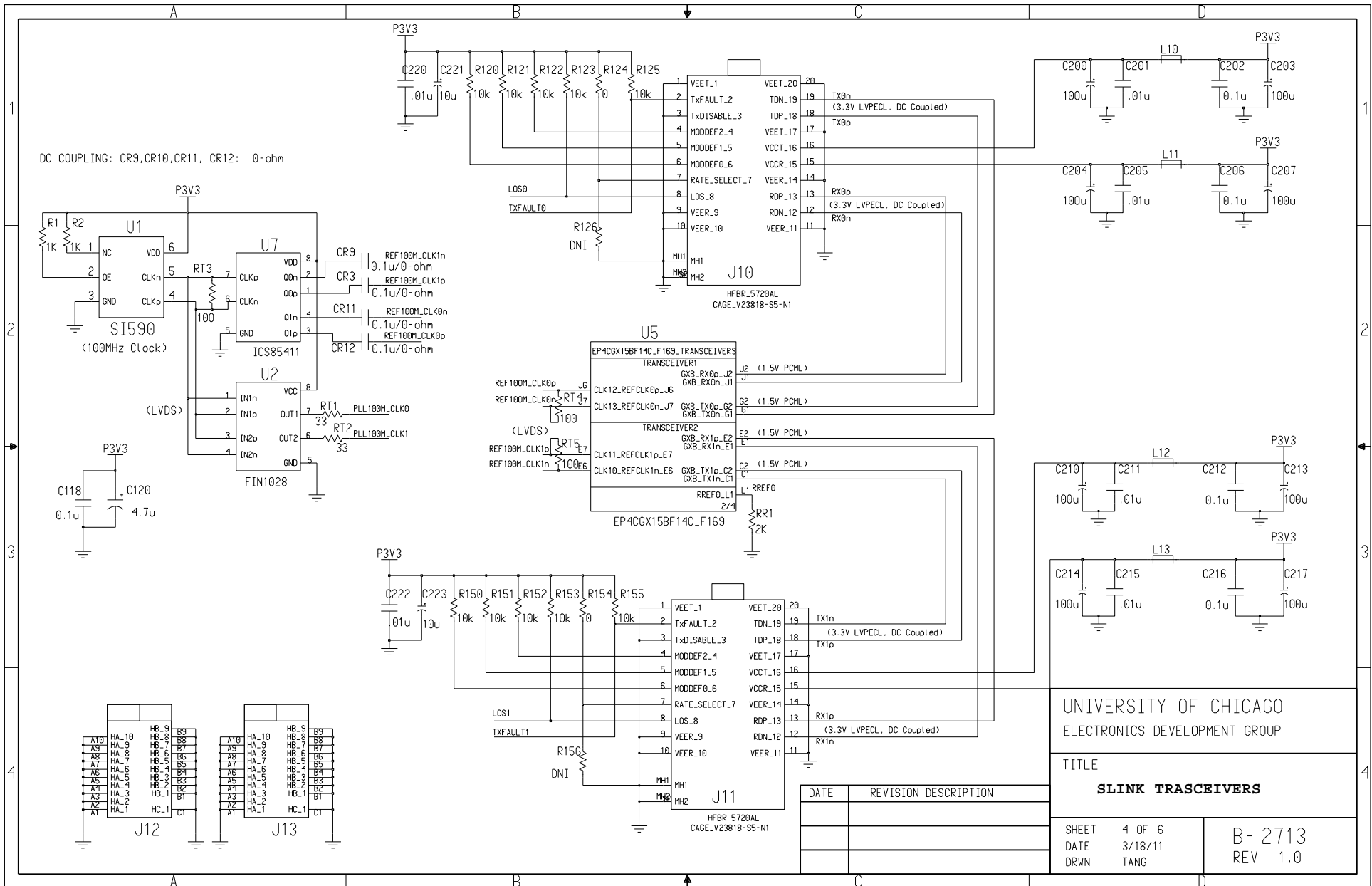


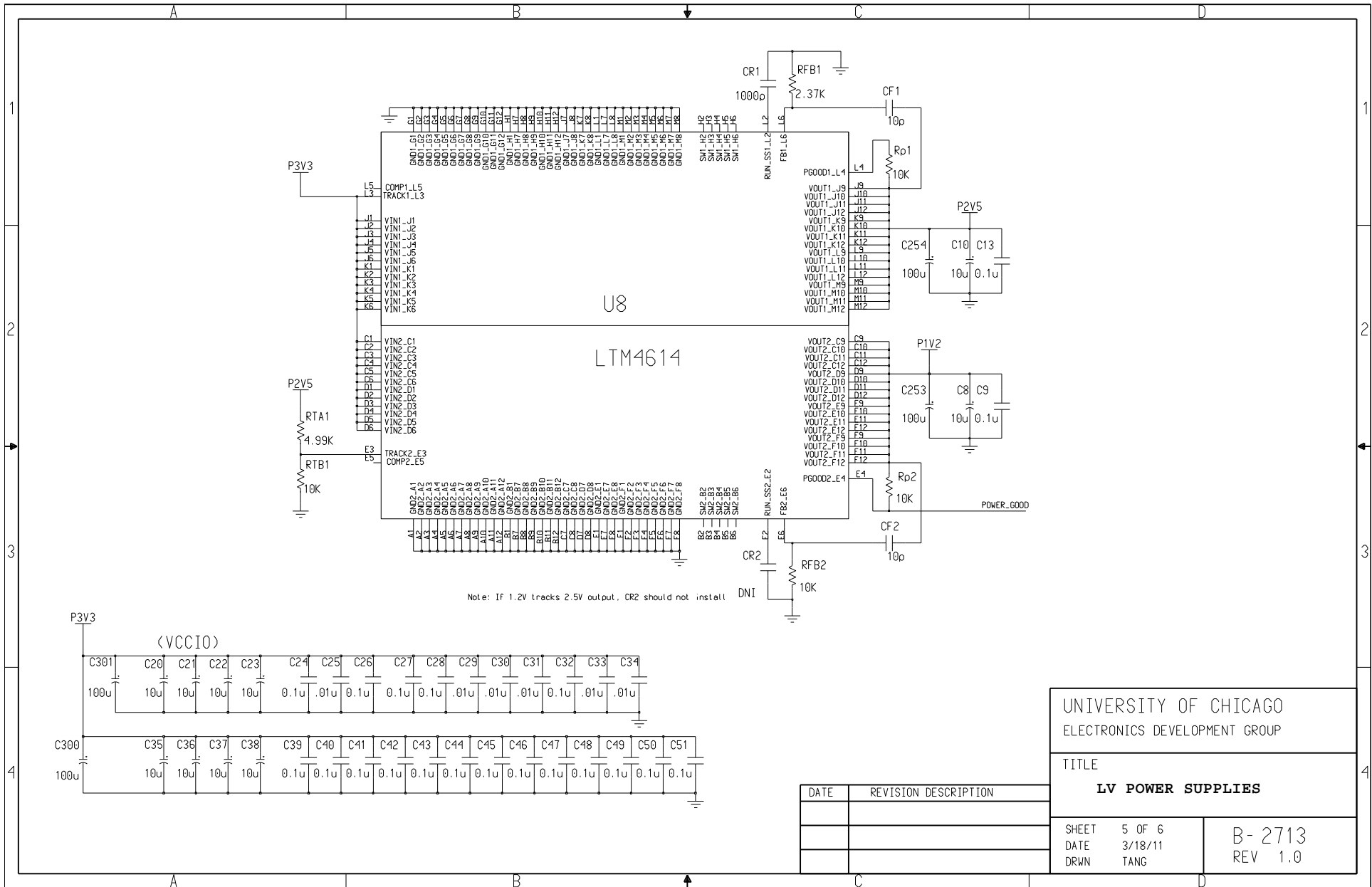
Note1: Rt d=50K, Cl=0, Td=300nS
 Note2: Rt d=open, Td=Cl (nF)/175 + 0.5 (nS)

Note2: All single-ended I/O signals are in 3.3V LVTTL

| DATE | REVISION | DESCRIPTION |
|------|----------|-------------|
| | | |
| | | |
| | | |

| | |
|--|---------|
| UNIVERSITY OF CHICAGO ELECTRONICS DEVELOPMENT GROUP | |
| TITLE SLINK INTERFACE | |
| SHEET | 3 OF 6 |
| DATE | 3/18/11 |
| DRWN | TANG |
| B-2713 REV 1.0 | |

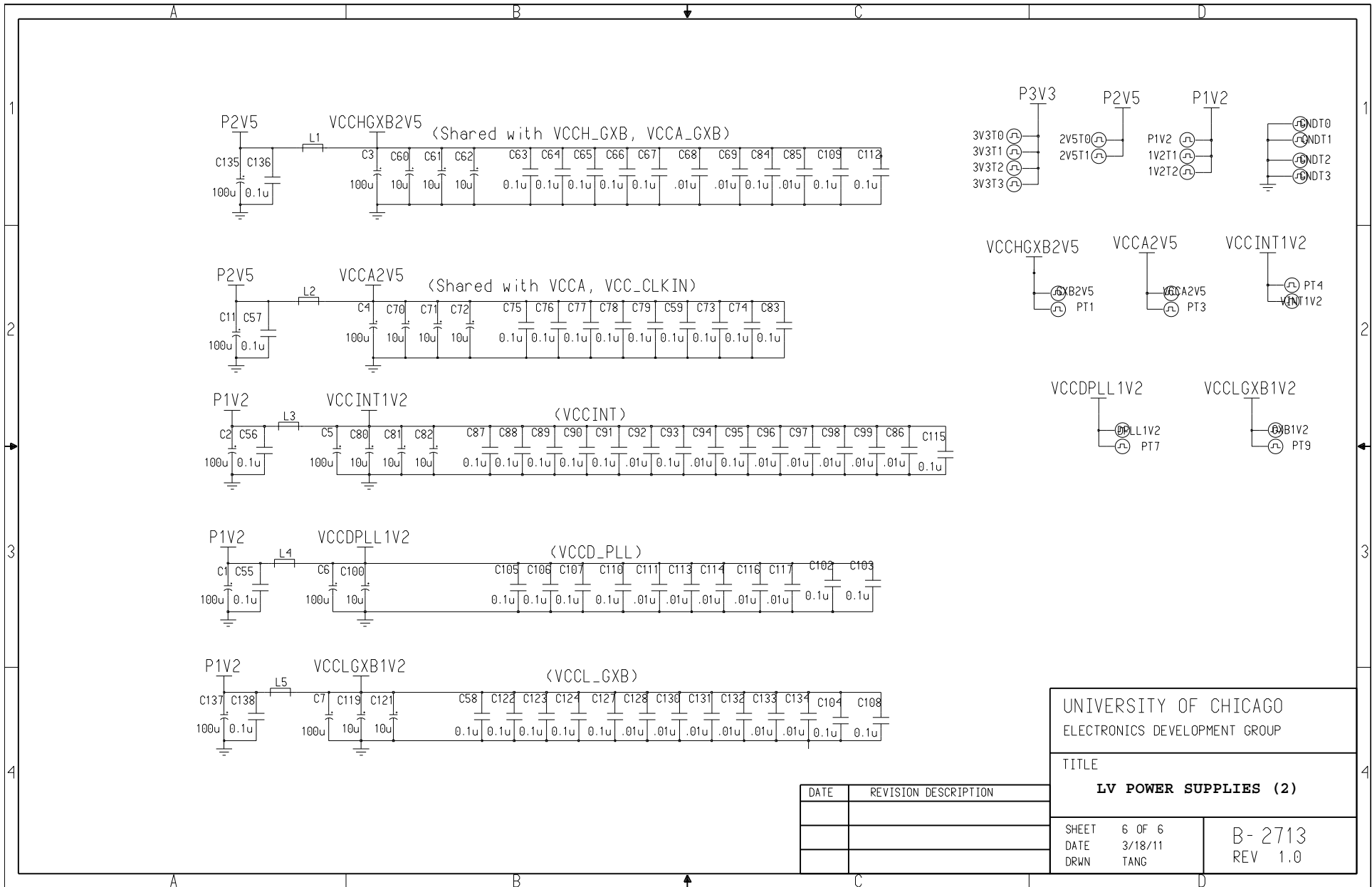




Note: IF 1.2V tracks 2.5V output, CR2 should not install

| | |
|--|-------------------|
| UNIVERSITY OF CHICAGO ELECTRONICS DEVELOPMENT GROUP | |
| TITLE LV POWER SUPPLIES | |
| SHEET 5 OF 6 | B-2713 REV 1.0 |
| DATE 3/18/11 | |
| DRWN TANG | |

| DATE | REVISION DESCRIPTION |
|------|----------------------|
| | |
| | |
| | |



UNIVERSITY OF CHICAGO
ELECTRONICS DEVELOPMENT GROUP

TITLE
LV POWER SUPPLIES (2)

| | | |
|-------|---------|-------------------|
| SHEET | 6 OF 6 | B-2713 REV 1.0 |
| DATE | 3/18/11 | |
| DRWN | TANG | |

| DATE | REVISION DESCRIPTION |
|------|----------------------|
| | |
| | |
| | |