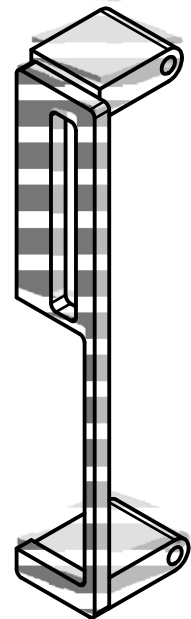
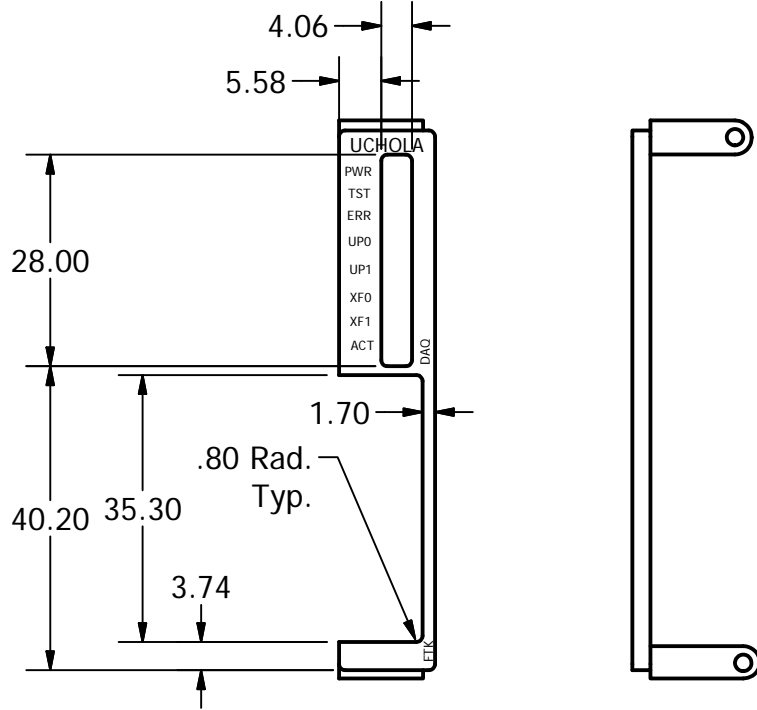


- Rev. A Minor lettering change 10.3.11 RN
- Rev. B Radius increased overall 10.5.11 RN
- Rev. C Minor dimensioning changes 10.17.11 RN
- Rev. D Minor dimensioning changes 10.17.11 RN
- Rev. E Cutouts redrawn & lettering moved 10.26.11 RN



Notes -

Use Standard 2.6 PMC Front Panel
 All Dims. are in millimeters
 Tolerance: + - .25

DRAWN rnorthrop	9/30/2011	The University of Chicago - Electronics Development Group		
CHECKED F T		TITLE <h2 style="margin: 0;">UCHOLA Front Panel Detail</h2>		
QA				
MFG				
APPROVED F T				
		SIZE A	DWG NO UCHOLAfrontPanel	REV E
		SCALE FULL	SHEET 1 OF 1	