

CONF SCHM	MSEL0	MSEL1	MSEL2	CONF	VOLT
AS	1	0	1	FAST	3.3
	1	1	0	FST	3.0 2.5
	1	0	0	STD	3.3
	0	1	0	STD	3.0 2.5

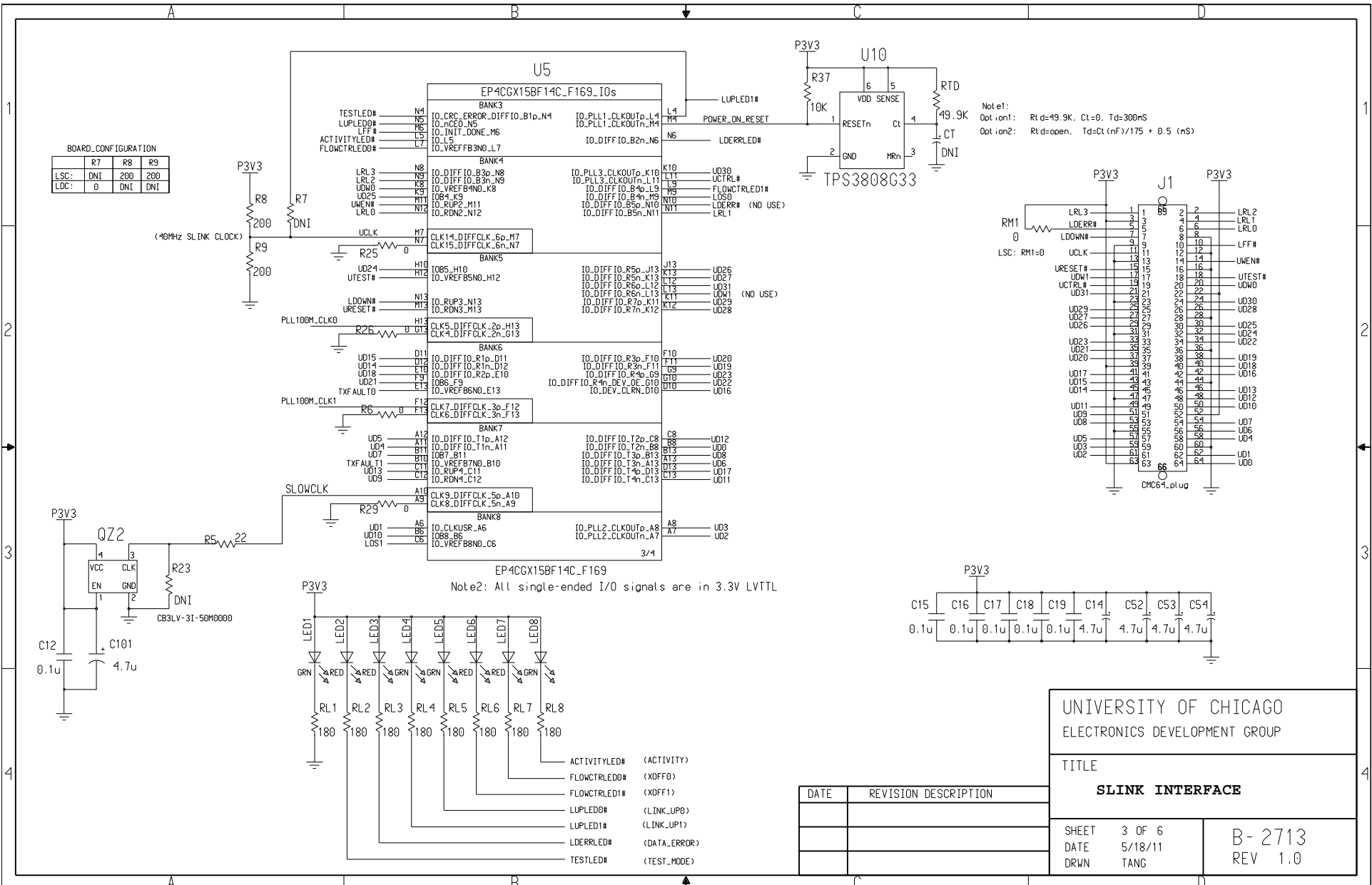
UNIVERSITY OF CHICAGO
ELECTRONICS DEVELOPMENT GROUP

TITLE

IN-SYSTEM CONFIGURATION

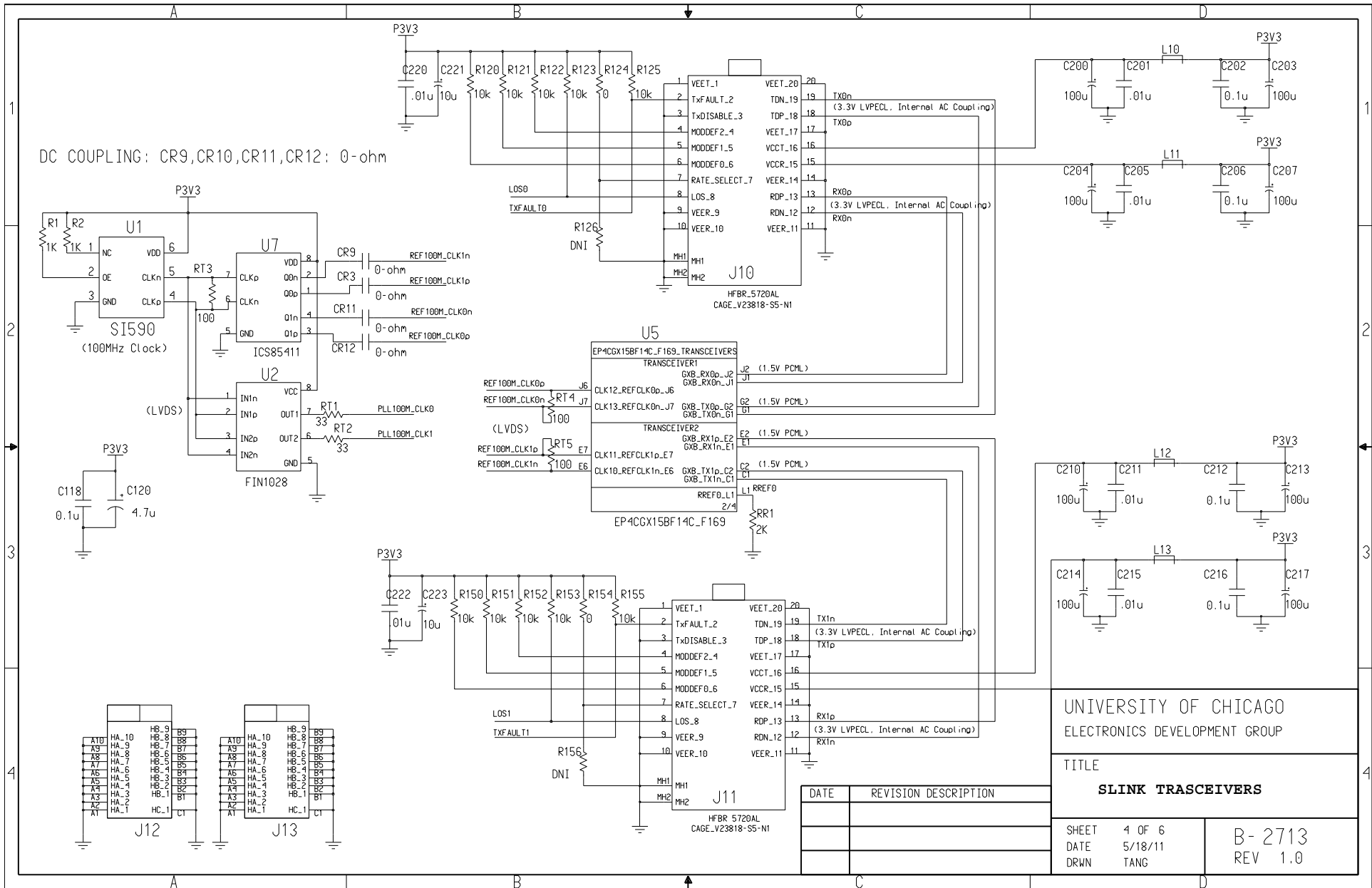
SHEET	2 OF 6	B-2713 REV 1.0
DATE	3/18/11	
DRWN	TANG	

DATE	REVISION DESCRIPTION



DATE	REVISION	DESCRIPTION

UNIVERSITY OF CHICAGO ELECTRONICS DEVELOPMENT GROUP	
TITLE SLINK INTERFACE	
SHEET	3 OF 6
DATE	5/18/11
DRWN	TANG
B-2713 REV 1.0	



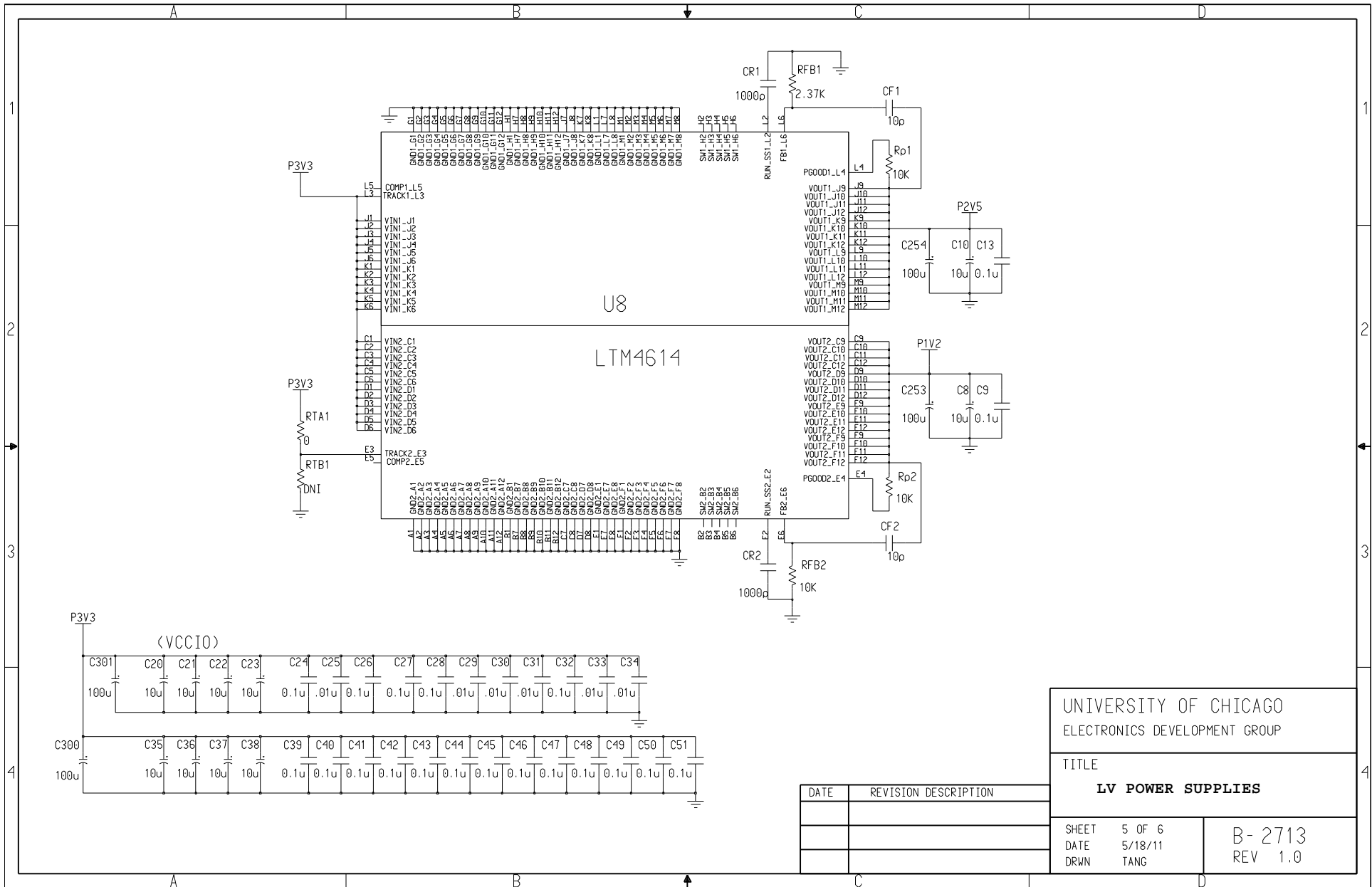
DC COUPLING: CR9,CR10,CR11,CR12: 0-ohm

UNIVERSITY OF CHICAGO
ELECTRONICS DEVELOPMENT GROUP

TITLE
SLINK TRASCEIVERS

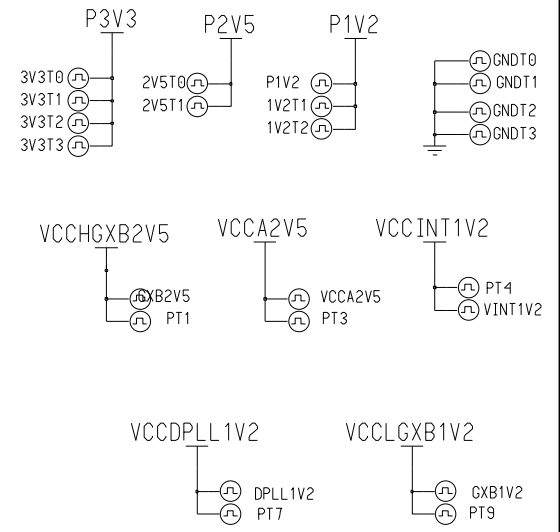
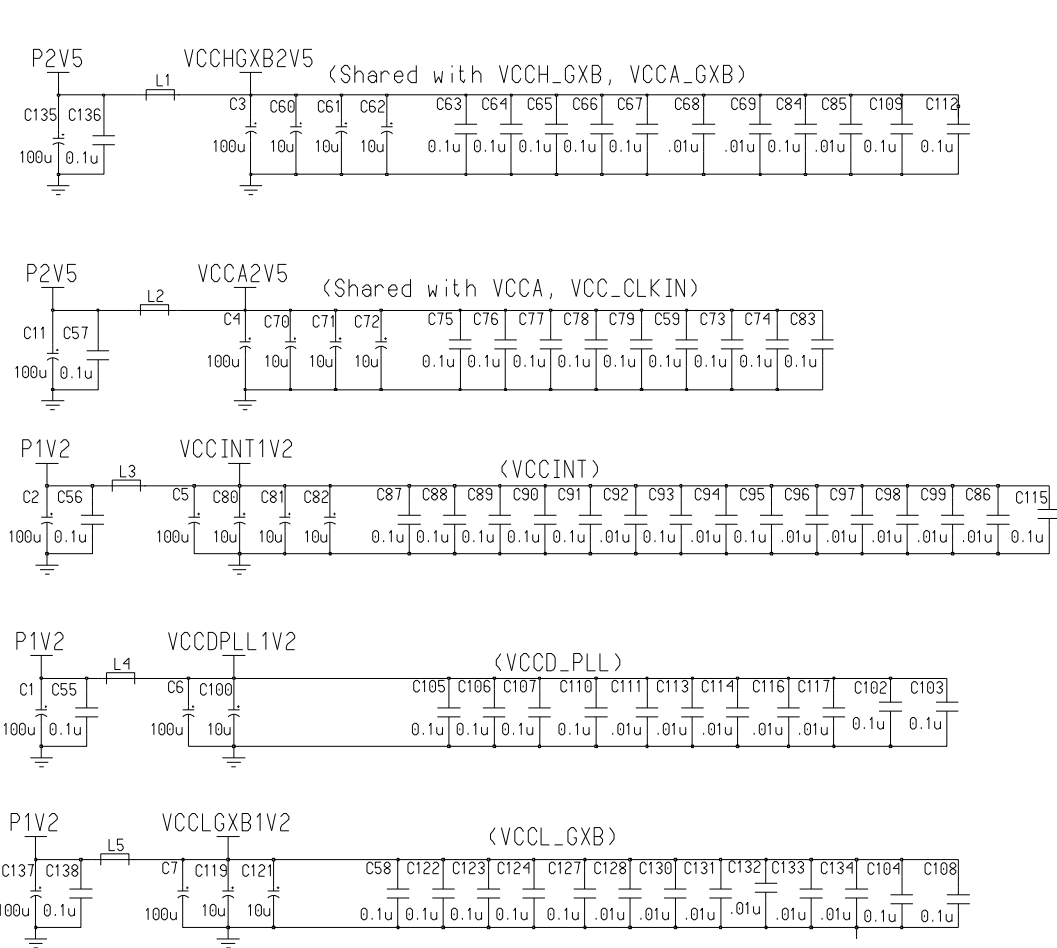
DATE	REVISION	DESCRIPTION

SHEET	4 OF 6	B-2713 REV 1.0
DATE	5/18/11	
DRWN	TANG	



UNIVERSITY OF CHICAGO ELECTRONICS DEVELOPMENT GROUP	
TITLE LV POWER SUPPLIES	
SHEET 5 OF 6	B-2713
DATE 5/18/11	REV 1.0
DRWN TANG	

DATE	REVISION DESCRIPTION



UNIVERSITY OF CHICAGO
 ELECTRONICS DEVELOPMENT GROUP

TITLE
LV POWER SUPPLIES (2)

SHEET	6 OF 6	B-2713 REV 1.0
DATE	5/18/11	
DRWN	TANG	

DATE	REVISION DESCRIPTION