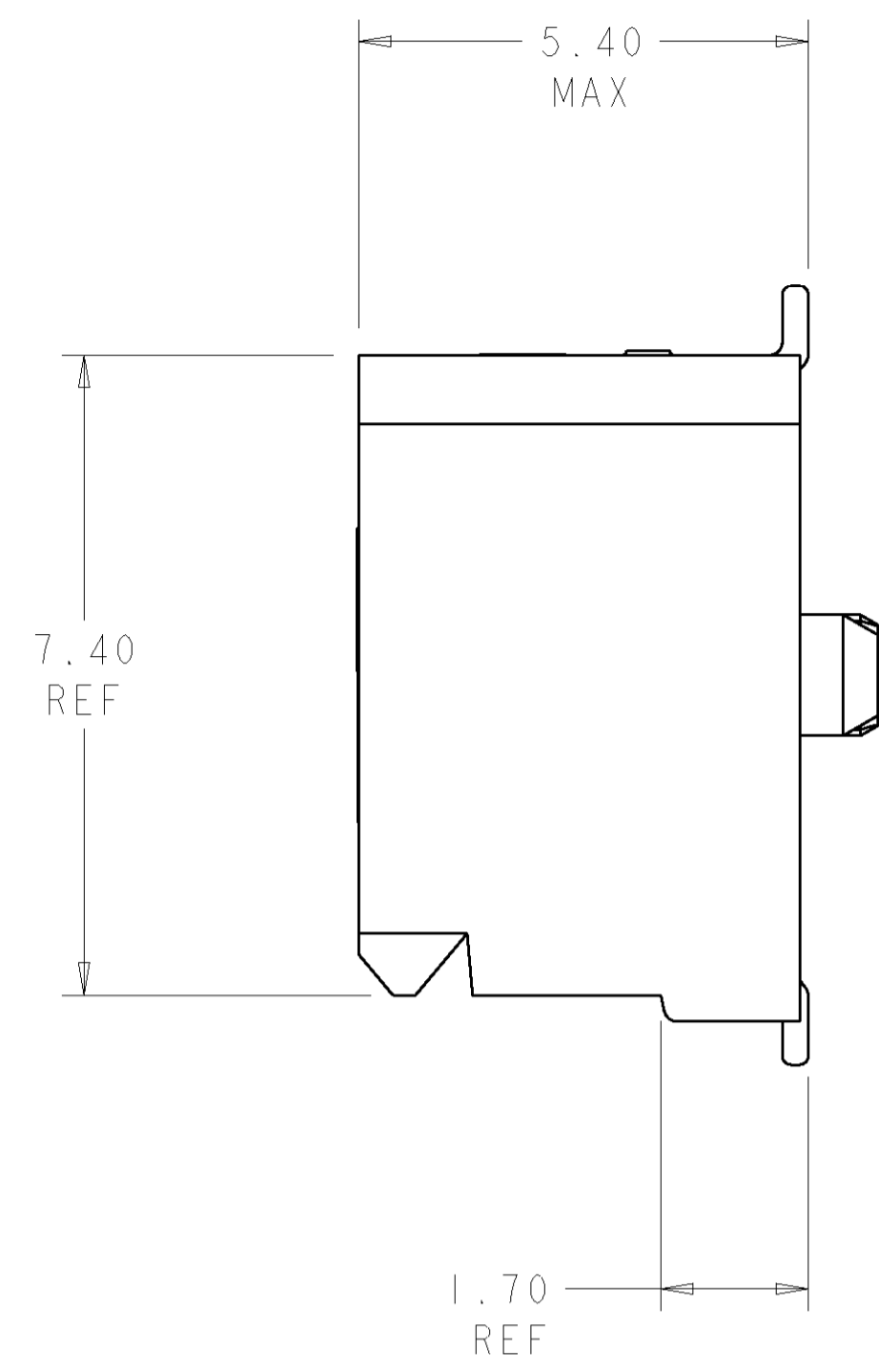
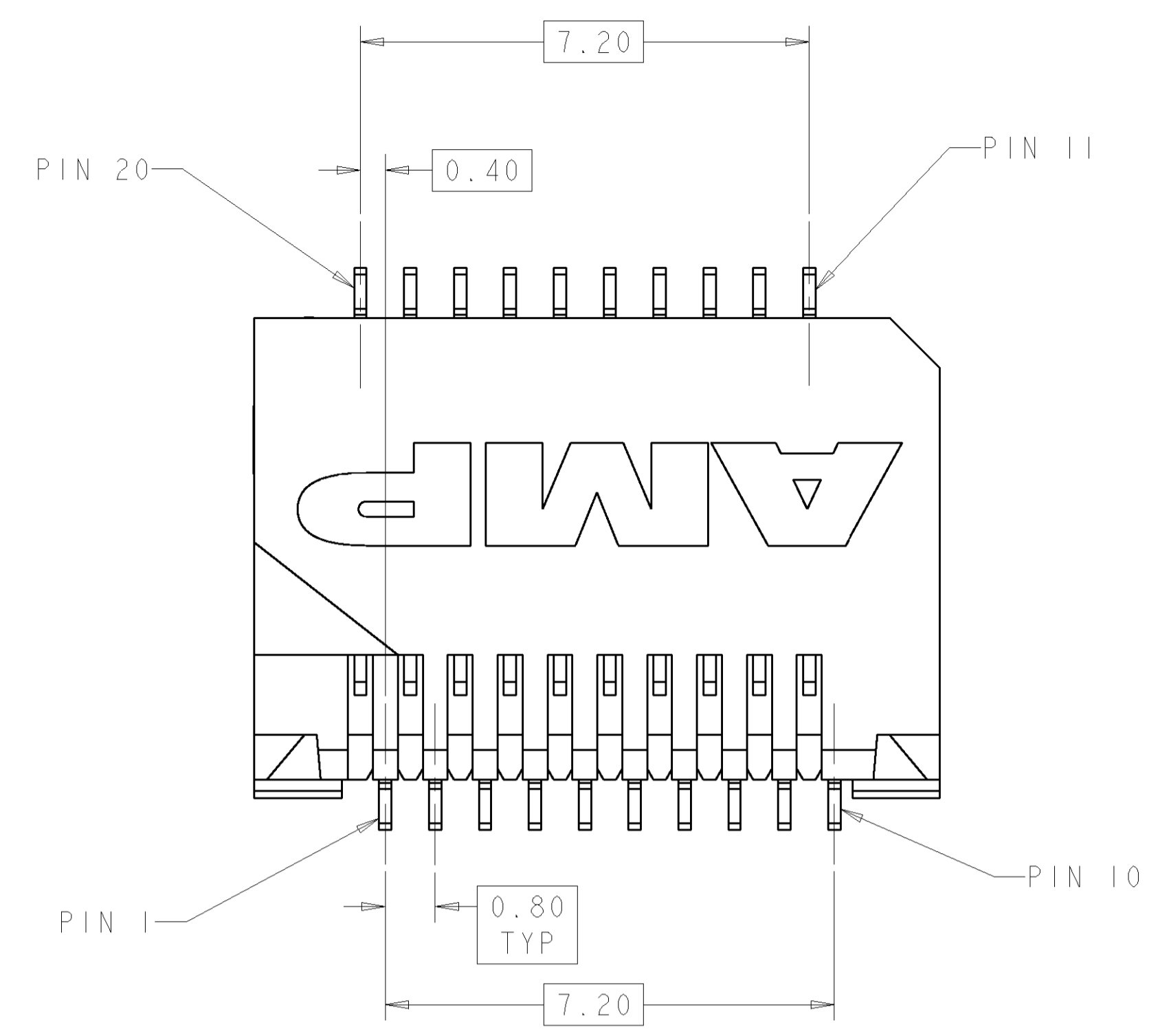
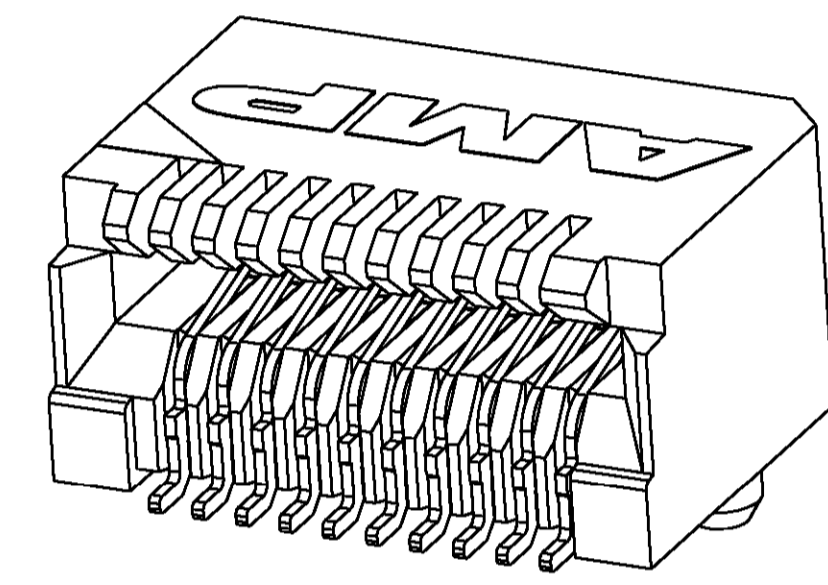


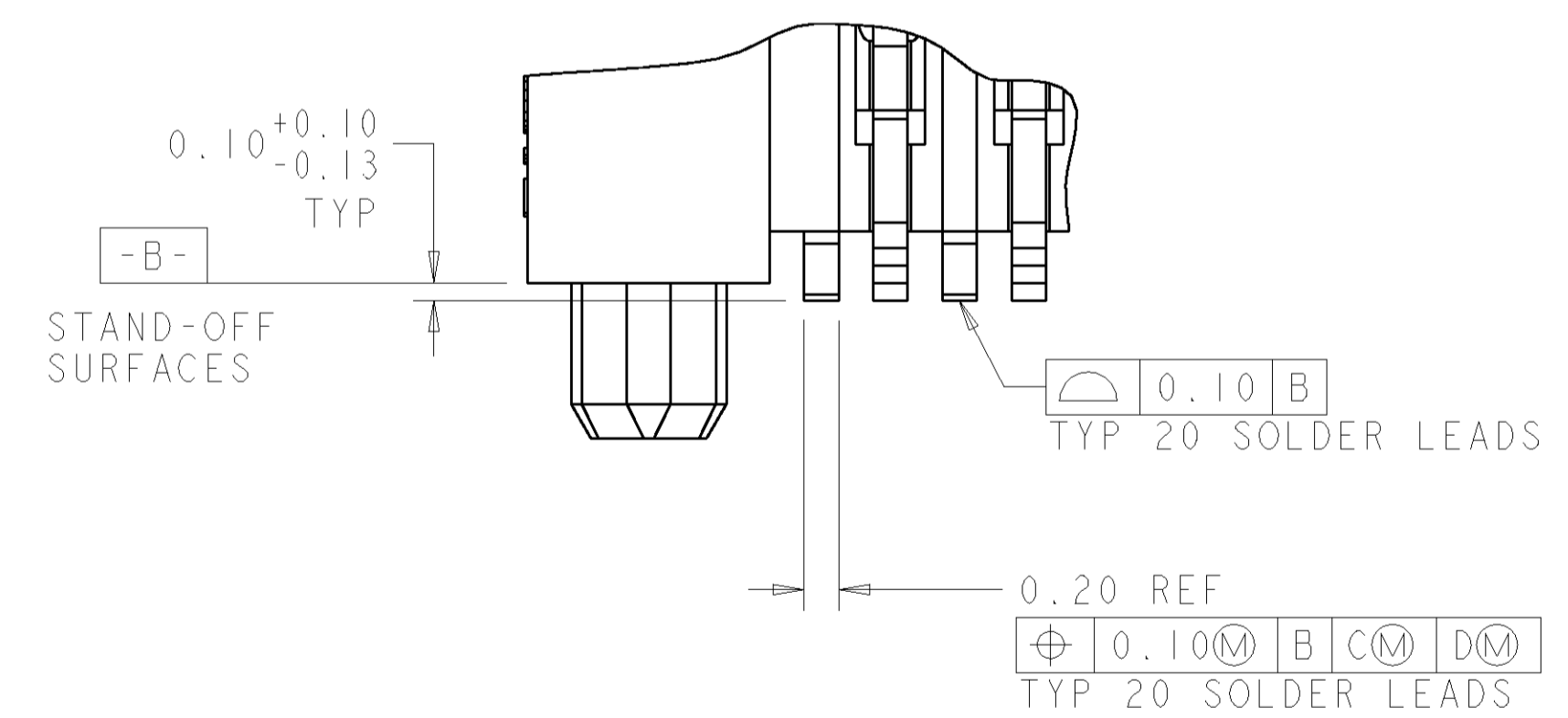
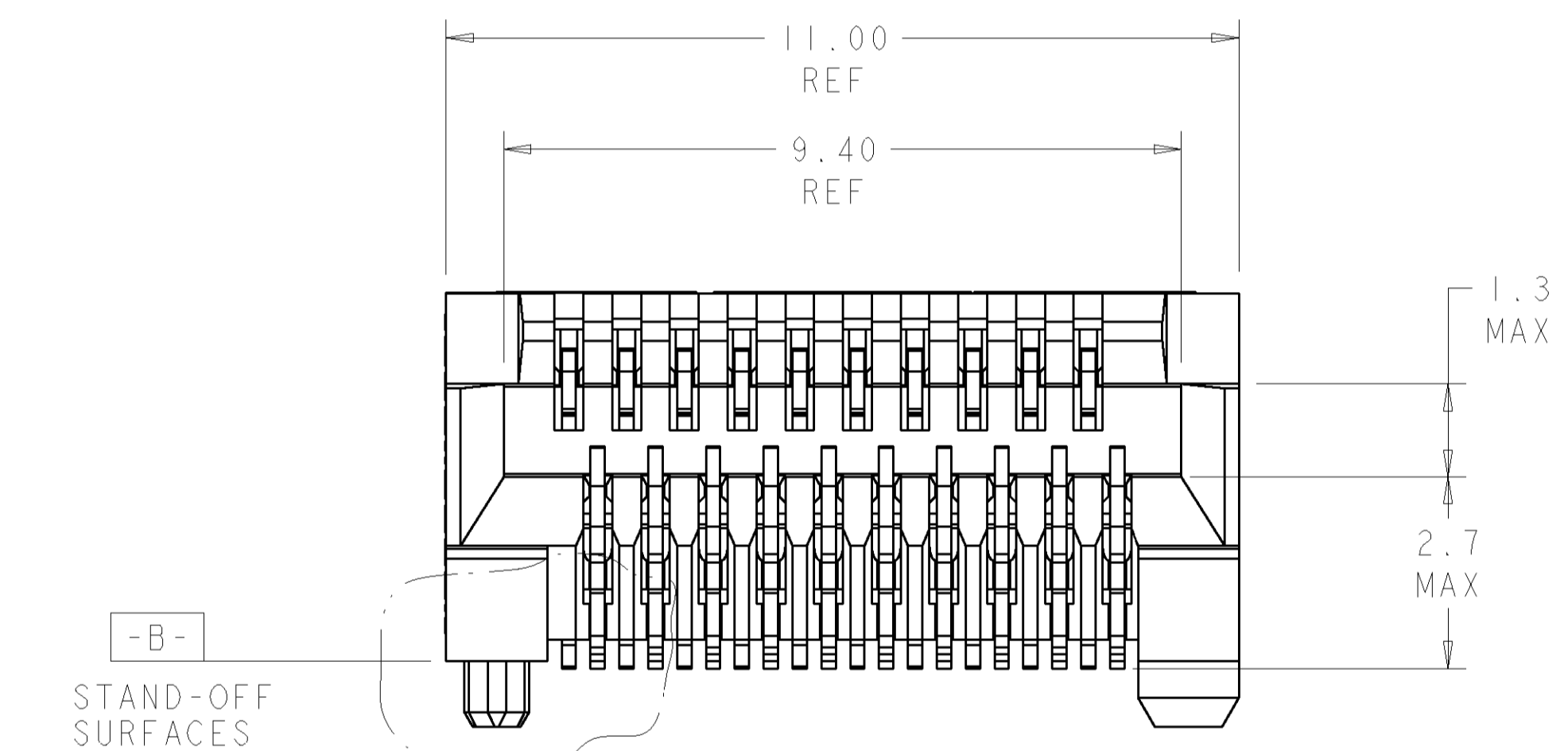
LOC	DIST	REVISIONS			
BD	0	REV	DATE	BY	APPD
		A	27SEP100	DB	RF
		B	21FEB2001	DB	RF
		C	22FEB2001	DB	JK



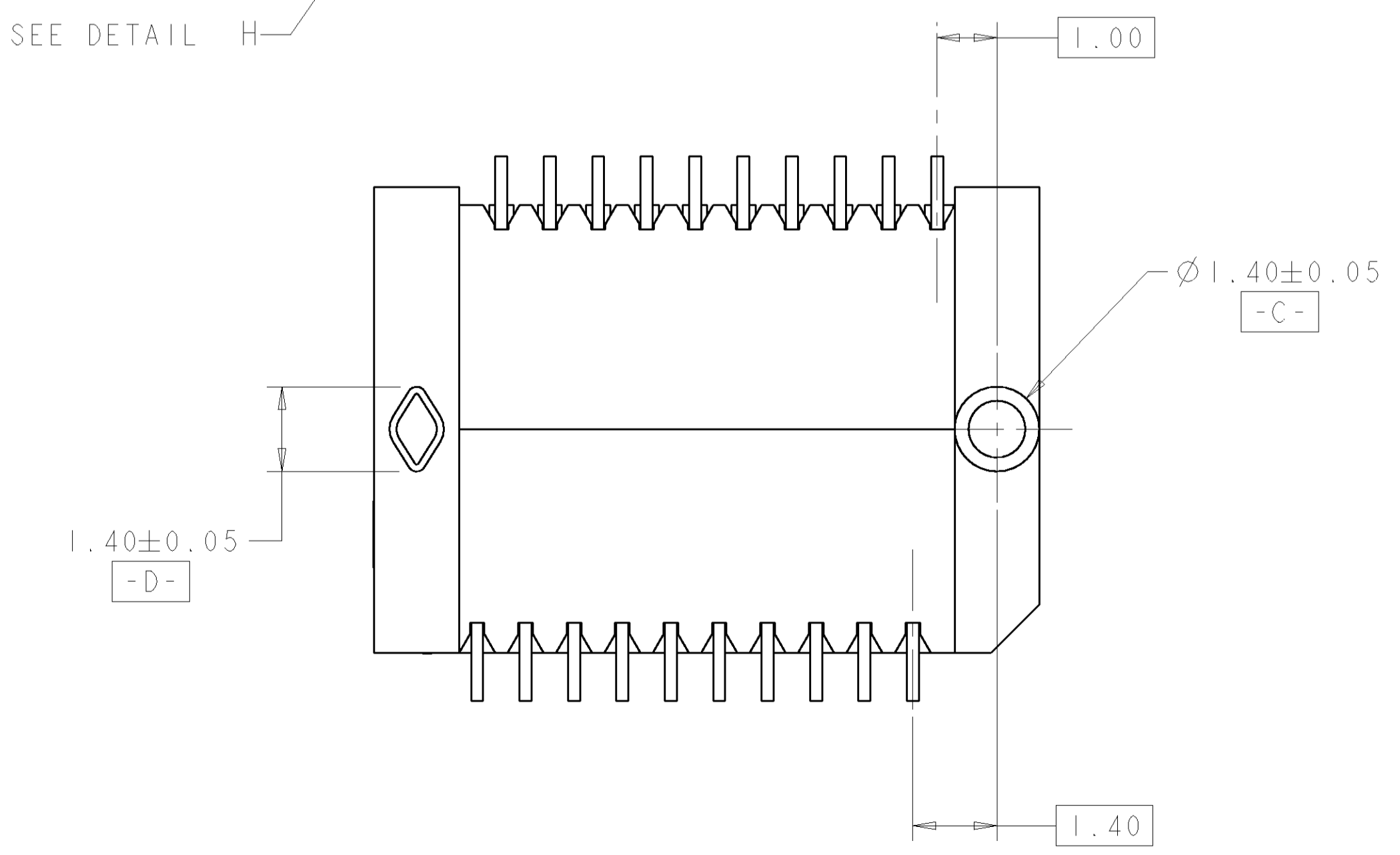
- 1. HOUSING: HIGH TEMPERATURE LCP, UL 94V-0 RATED, BLACK. CONTACT: PHOSPHOR BRONZE.
- 2. CONTACTS: 0.38 MICROMETERS GOLD PLATE OVER GOLD FLASH/NICKEL UNDERPLATE ALL OVER.
- 3. PACKAGED 480 PIECES PER REEL.
- 4. DATUMS AND BASIC DIMENSIONS TO BE ESTABLISHED BY CUSTOMER, SEE DRAWING 1367034 FOR LAYOUT WHEN USED WITH 1367034-1 BOTTOM CAGE (STANDARD SFP APPLICATION).
- 5. CONTACTS: 0.76 MICROMETERS GOLD PLATE OVER GOLD FLASH/NICKEL UNDERPLATE ALL OVER.



SCALE 8:1



DETAIL H SCALE 25:1



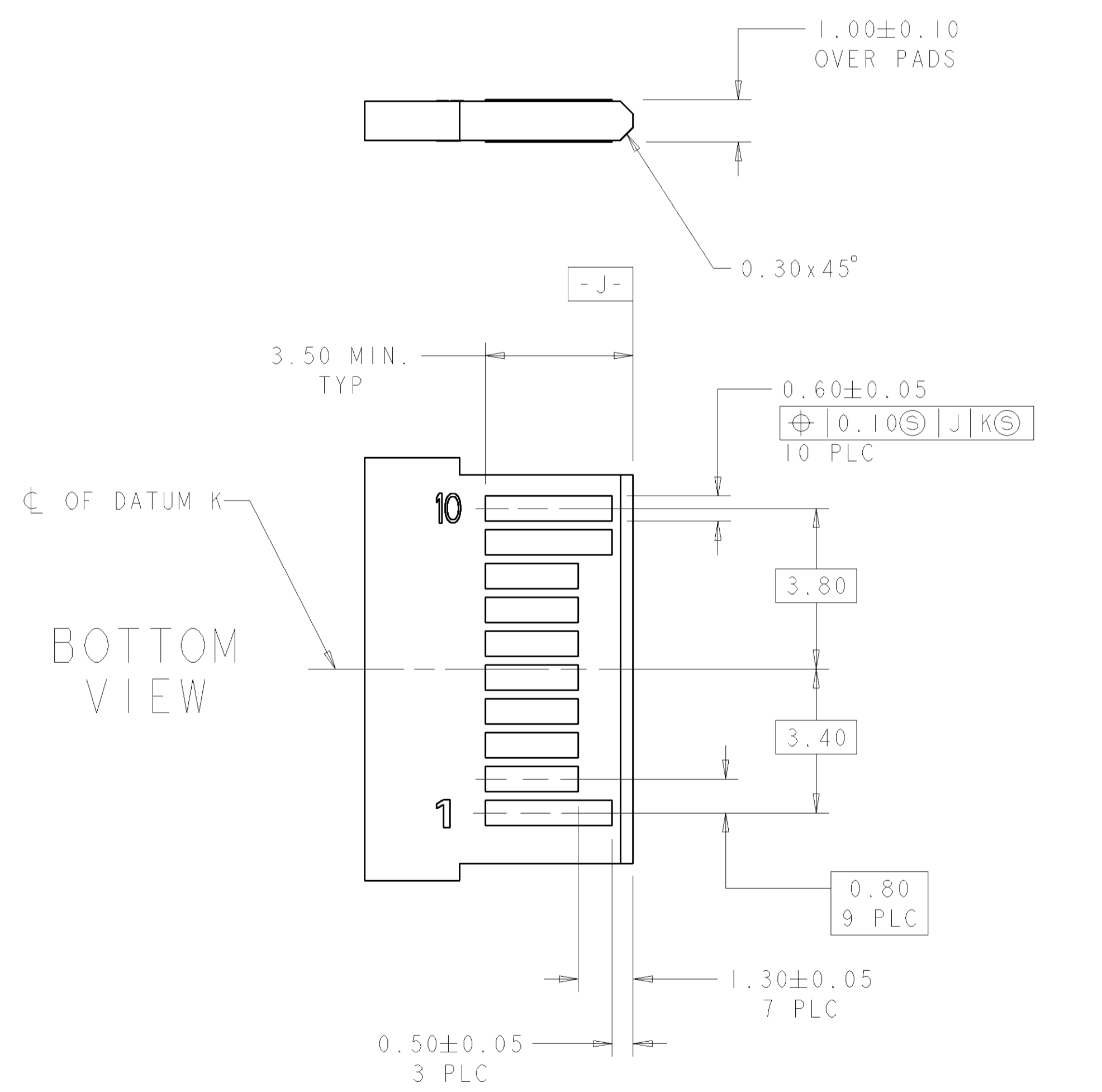
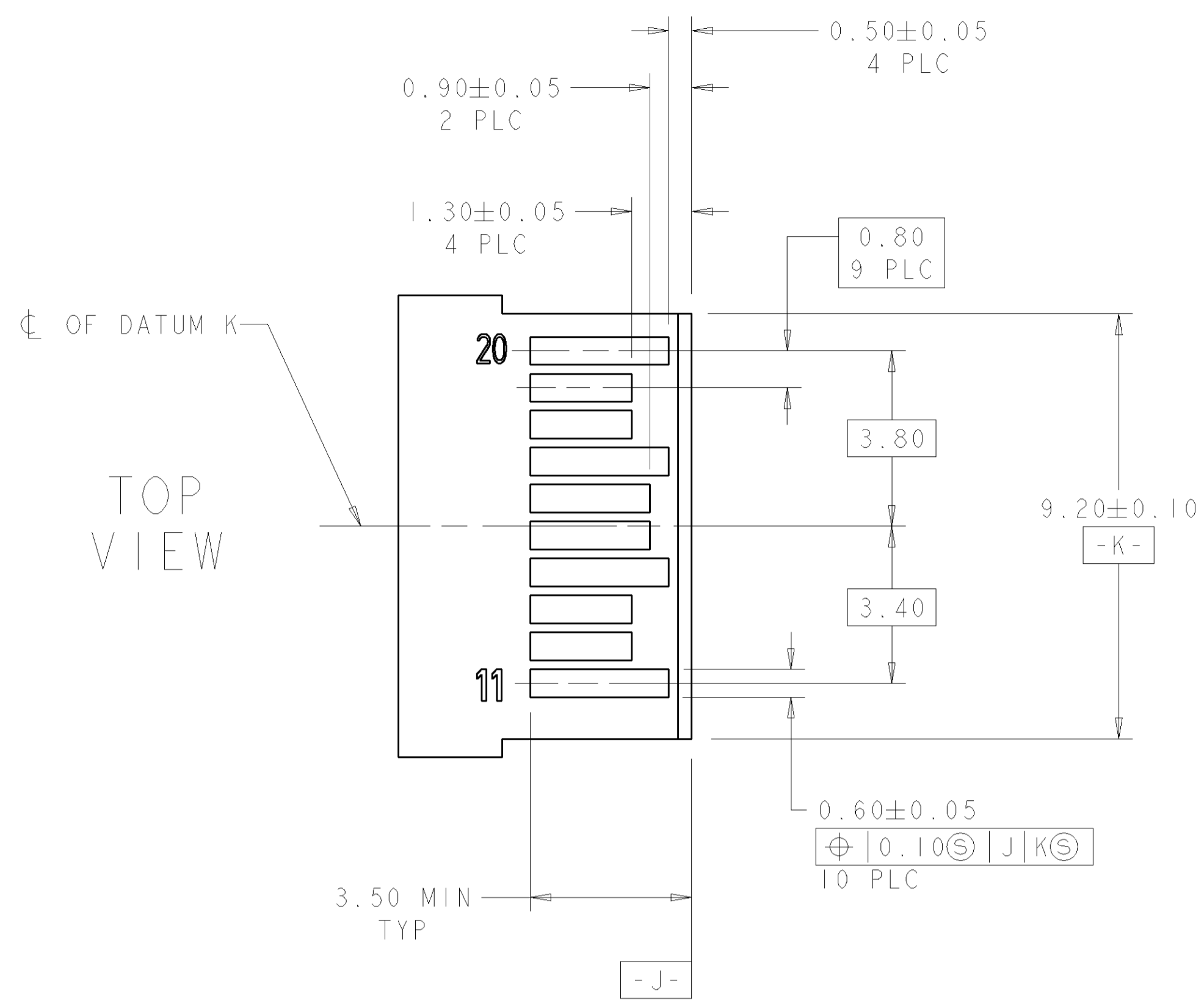
COPYRIGHT 2000, TYCO ELECTRONICS CORP., ALL RIGHTS RESERVED

1	1367073-2
2	1367073-1
FINISH	PART NUMBER

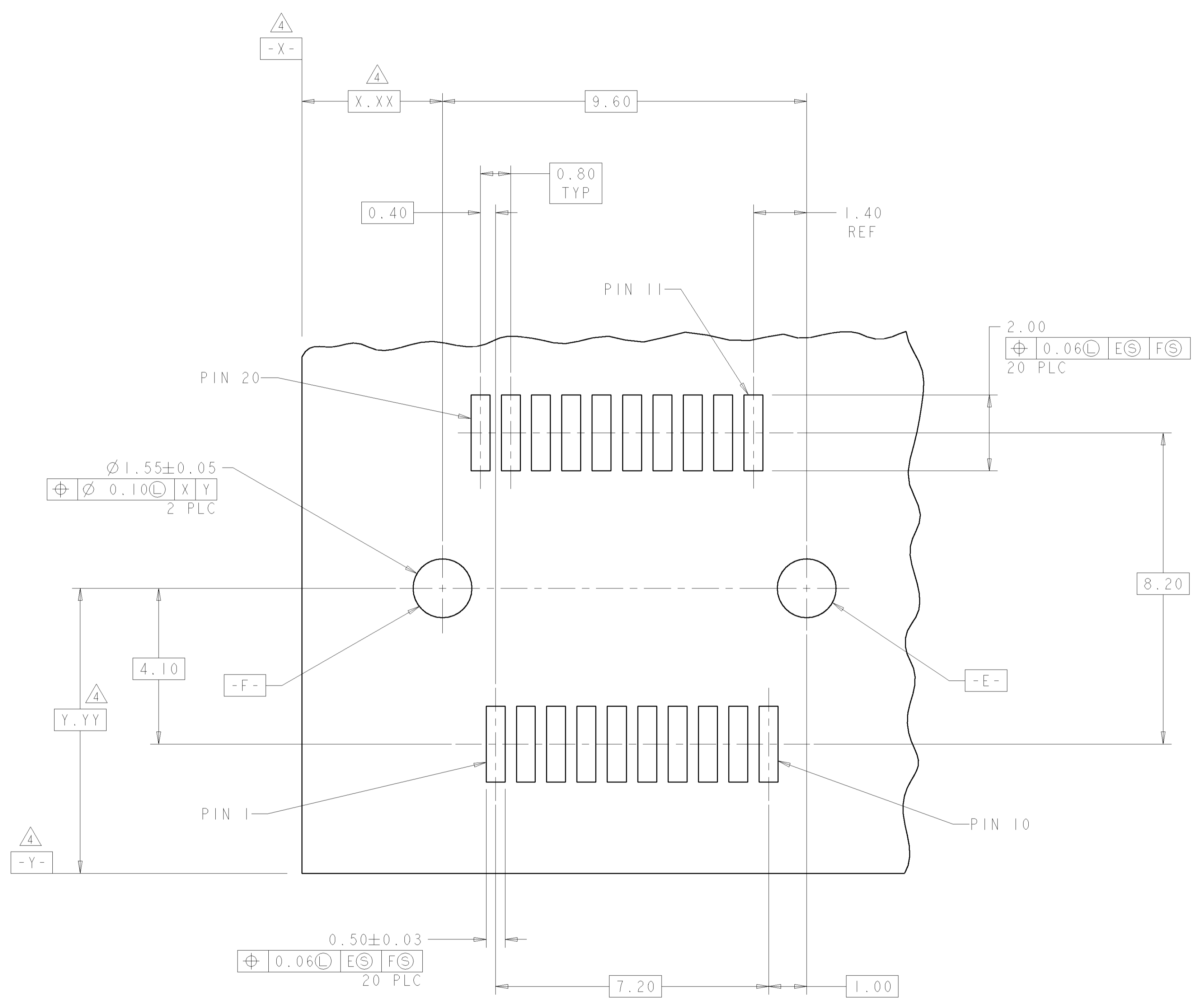
<small>THIS DRAWING IS A CONTROLLED DOCUMENT FOR AMP INCORPORATED. ALL CHANGES TO THIS DRAWING ARE THE PROPERTY OF AMP INCORPORATED. REVISIONS SHOULD BE CONTACTED FOR THE LATEST REVISION.</small>		DWN: P. KERLIN 01MAR2000 ENR: E. BRIGHT 01MAR2000 APD: F. BRIGHT 01MAR2000	AMP AMP Incorporated Harrisburg, PA 17105-3608
DIMENSIONS: mm TOLERANCES UNLESS OTHERWISE SPECIFIED: 0 PLC ± 1 PLC ±0.10 2 PLC ±0.10 3 PLC ± 4 PLC ± ANGLES ±	PRODUCT SPEC: 108-1949 APPLICATION SPEC: 114-13017 WEIGHT: - FINISH: SEE TABLE	NAME: ASSEMBLY, CONNECTOR, 20 POSITION, 0.8mm PITCH, RIGHT ANGLE SIZE: A1 CAGE CODE: 00779 DRAWING NO: 1367073	CUSTOMER DRAWING SCALE: 12:1 SHEET 1 OF 2 REV C

LOC	DIST	REV	DATE	BY	APPD
BD	0				

REVISIONS			
REV	DATE	BY	APPD
-	-	-	-
-	-	-	-



RECOMMENDED LAYOUT DETAIL
MATING TRANSCEIVER PCB
SCALE 10:1



RECOMMENDED PCB LAYOUT DETAIL
CONNECTOR MOUNTING SIDE
SCALE 14:1

<small>THIS DRAWING IS A CONTROLLED DOCUMENT FOR AMP INCORPORATED. ALL CHANGES TO THIS DRAWING MUST BE CONTROLLED BY THE ORGANIZATION THAT ISSUED THIS DRAWING. FOR THE LATEST REVISION, CONTACT THE ORGANIZATION THAT ISSUED THIS DRAWING.</small>		DWN: P. KERLIN ENGR: E. BRIGHT APD: F. BRIGHT	DT MAR 20 00 DT MAR 20 00 DT MAR 20 00
DIMENSIONS: mm 		TOLERANCES UNLESS OTHERWISE SPECIFIED: 0 PLC ± 1 PLC ± 2 PLC ±0.10 3 PLC ± 4 PLC ± ANGLES ±	
MATERIAL: - FINISH: -		PRODUCT SPEC: - APPLICATION SPEC: - WEIGHT: - CUSTOMER DRAWING: -	
NAME: ASSEMBLY, CONNECTOR, 20 POSITION, 0.8mm PITCH, RIGHT ANGLE		SIZE: A1 CAGE CODE: 00779 DRAWING NO: C=1367073	AMP Incorporated Harrisburg, PA 17105-3608
SCALE: 12:1		SHEET 2 OF 2 REV C	