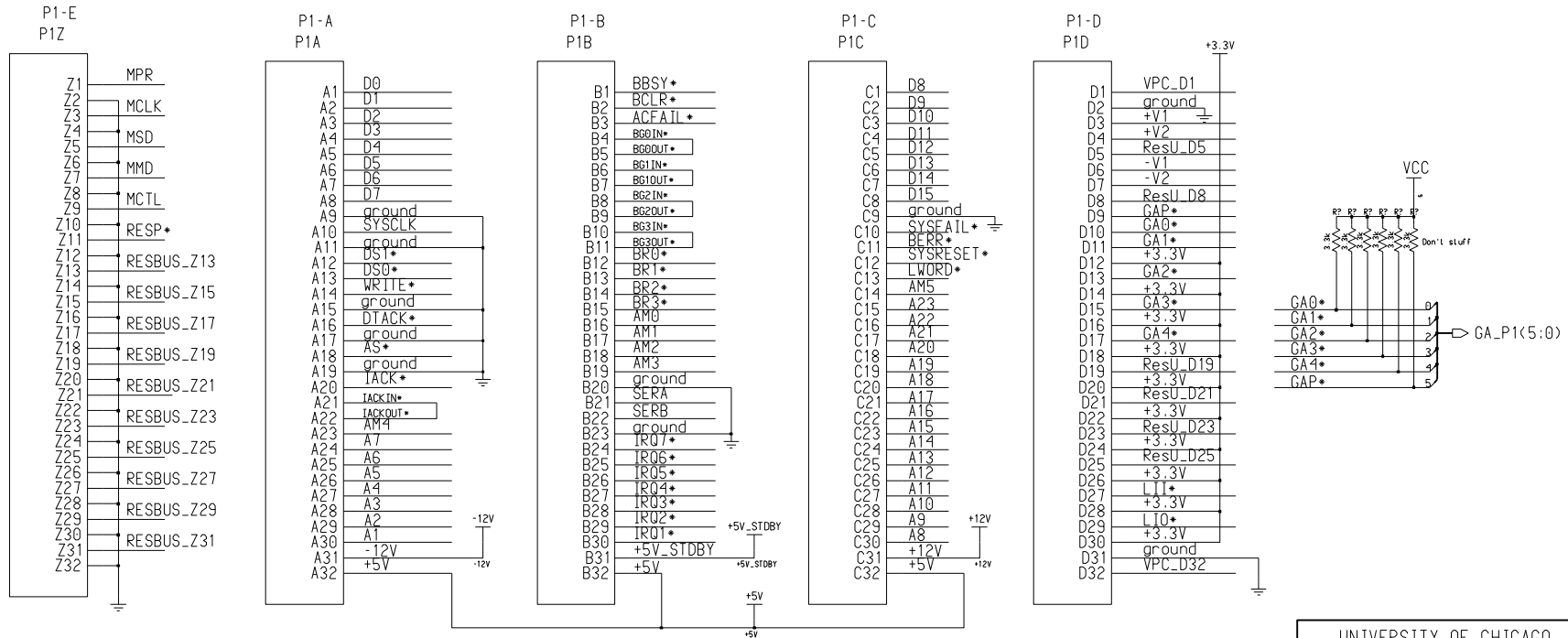
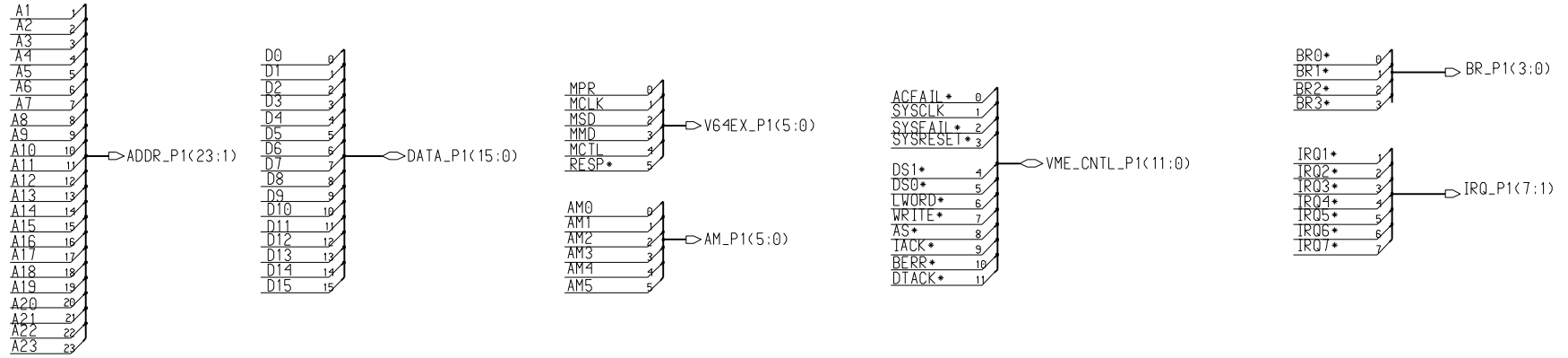


VME64 EXTENSION: P1 CONNECTOR



UNIVERSITY OF CHICAGO
ELECTRONICS DEVELOPMENT GROUP

TITLE
VME64 EXTENSION: P1

DATE	REVISION	DESCRIPTION

SHEET 8 OF X	C-2535
DATE 09/10/03	REV A
DRWN TANG	

