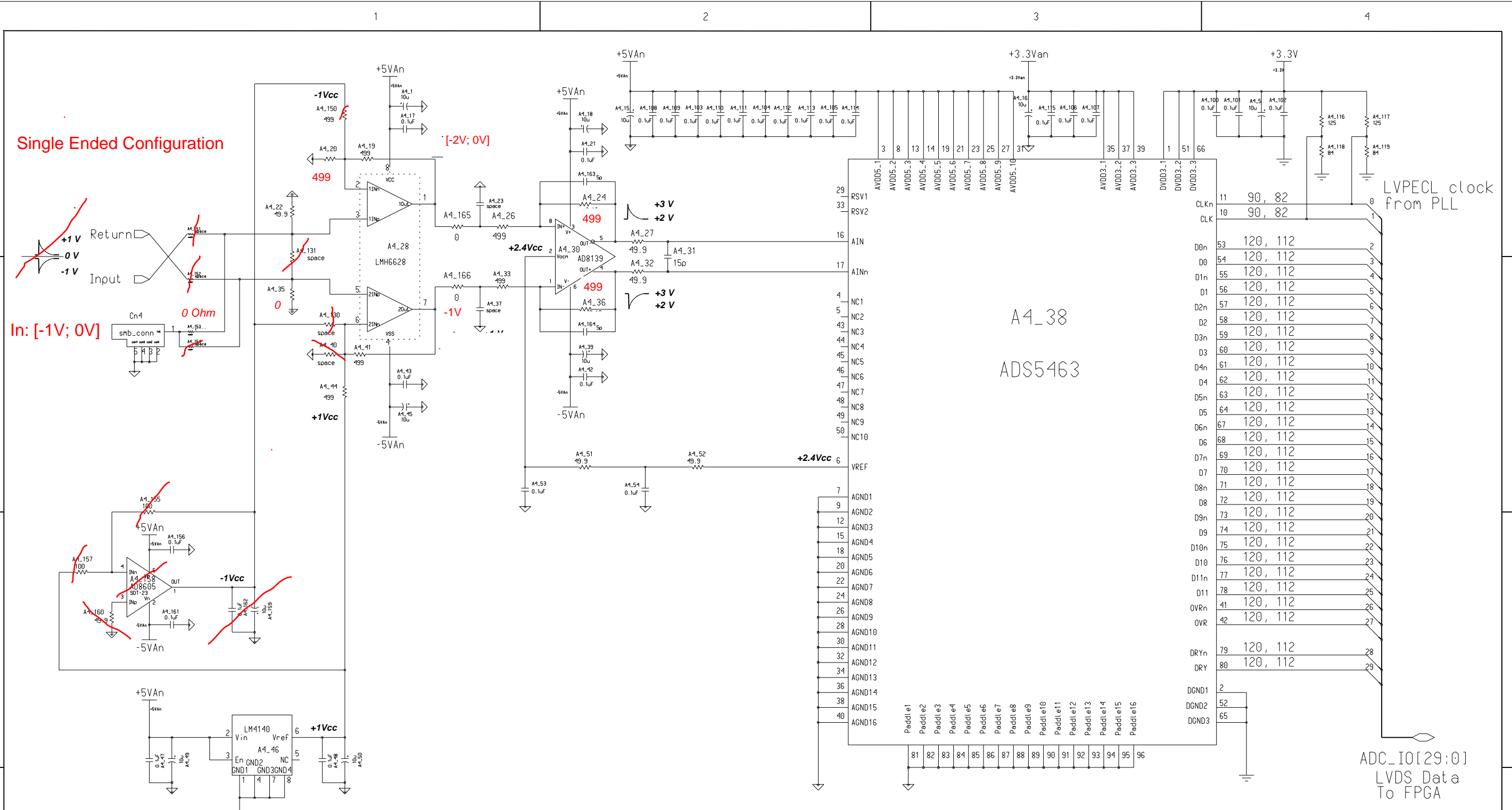


Single Ended Configuration

In: [-1V; 0V]



Notes:
 This ADC channel can be implemented in differential or in single ended configurations.
 The components marked "space" are not to be installed.

Engineer	M. Bogdan		
Drawn by	M. Bogdan		
R&D CHK		TITLE	Size
DATE:	10/22/10	12BIT, 500MHz ADC	C
TIME:	11:00 am		
QA CHK		REV	D
		DRW. 2664	Sheet 2_j of 12