

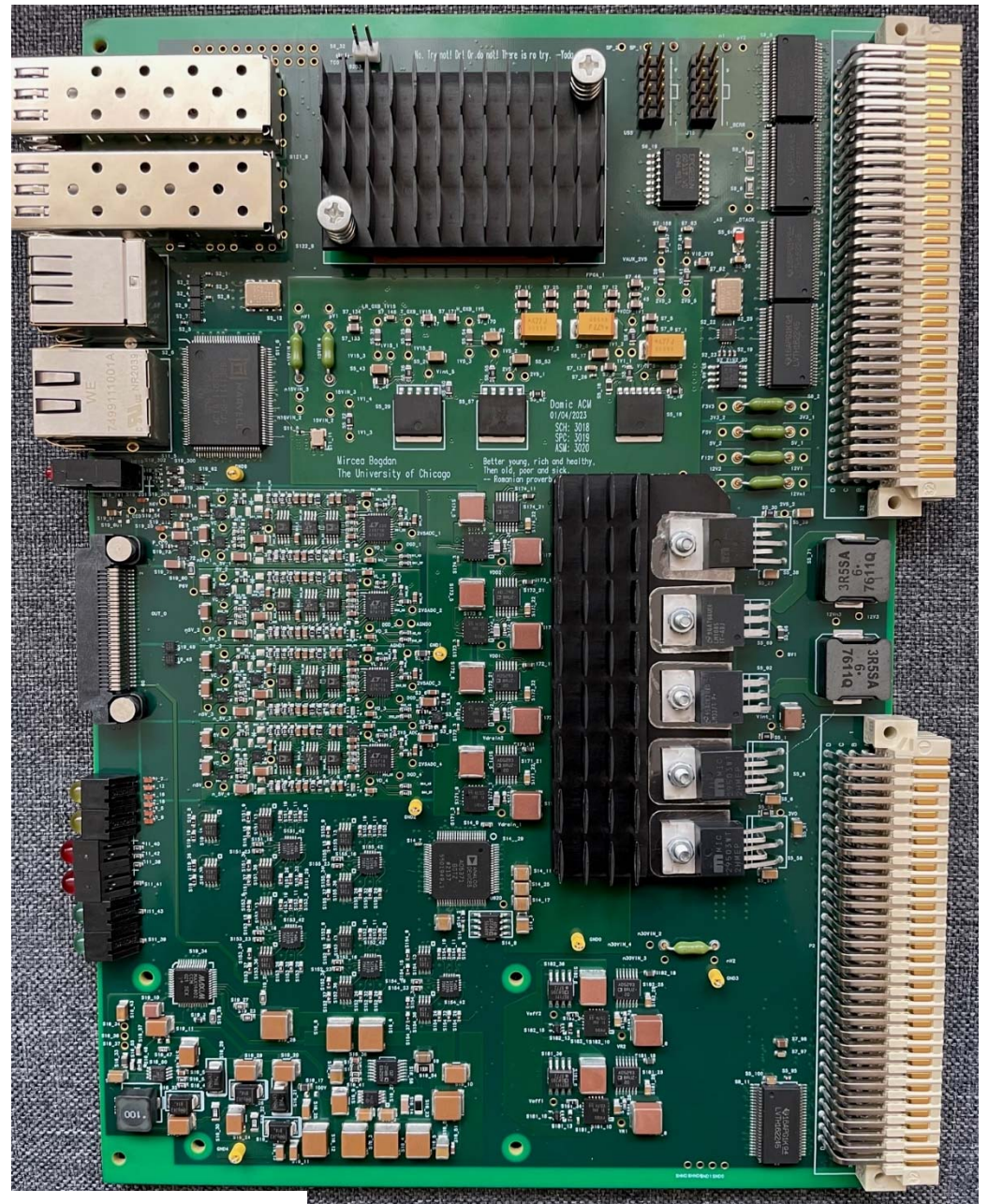
# DAMIC-ACM Prototype - Initial Test

The University of Chicago

Mircea Bogdan  
April 12, 2023

# DAMIC - ACM

Module Under Test



Mircea Bogdan

# DAMIC - ACM

## Assembly Problem 1

Wrong Buffer Chip Installed in two locations on both boards

Boards were returned to assembly house for repair



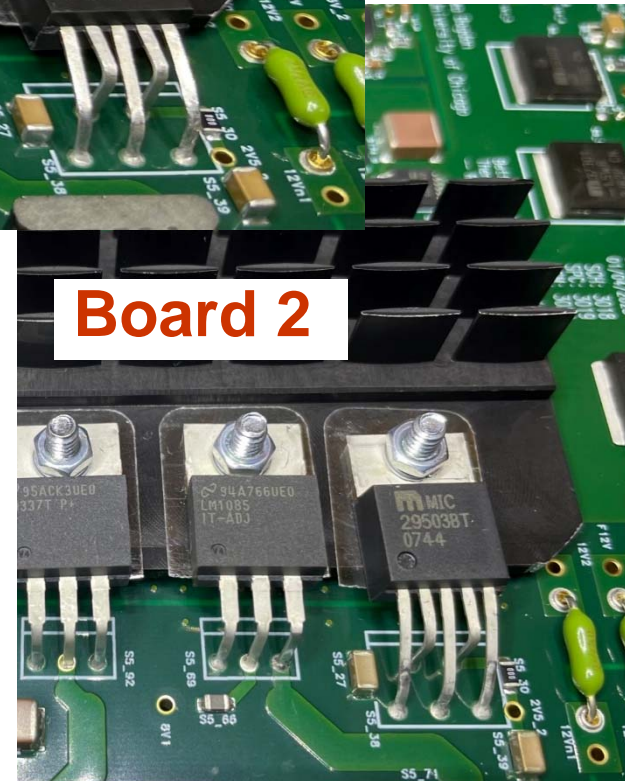
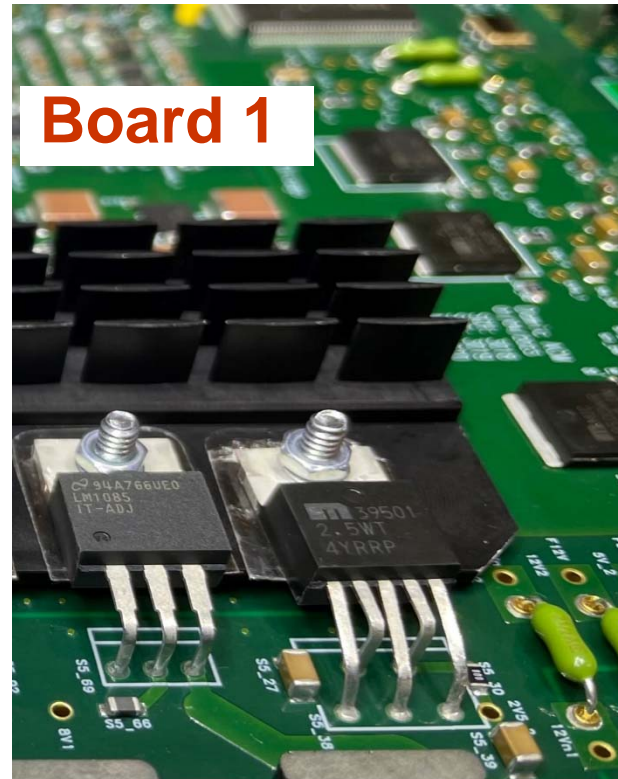


# DAMIC - ACM

## Assembly Problem 2

Wrong LDO Installed in one location on one board

Board was repaired in Chicago



Mircea Bogdan

# DAMIC - ACM

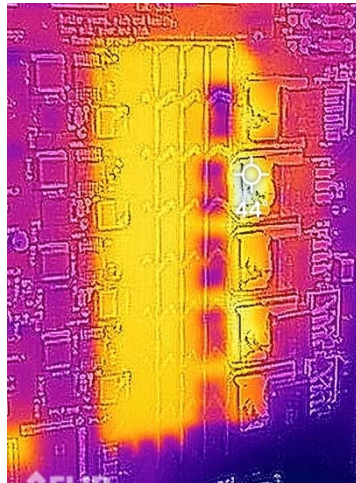
## Test Setup



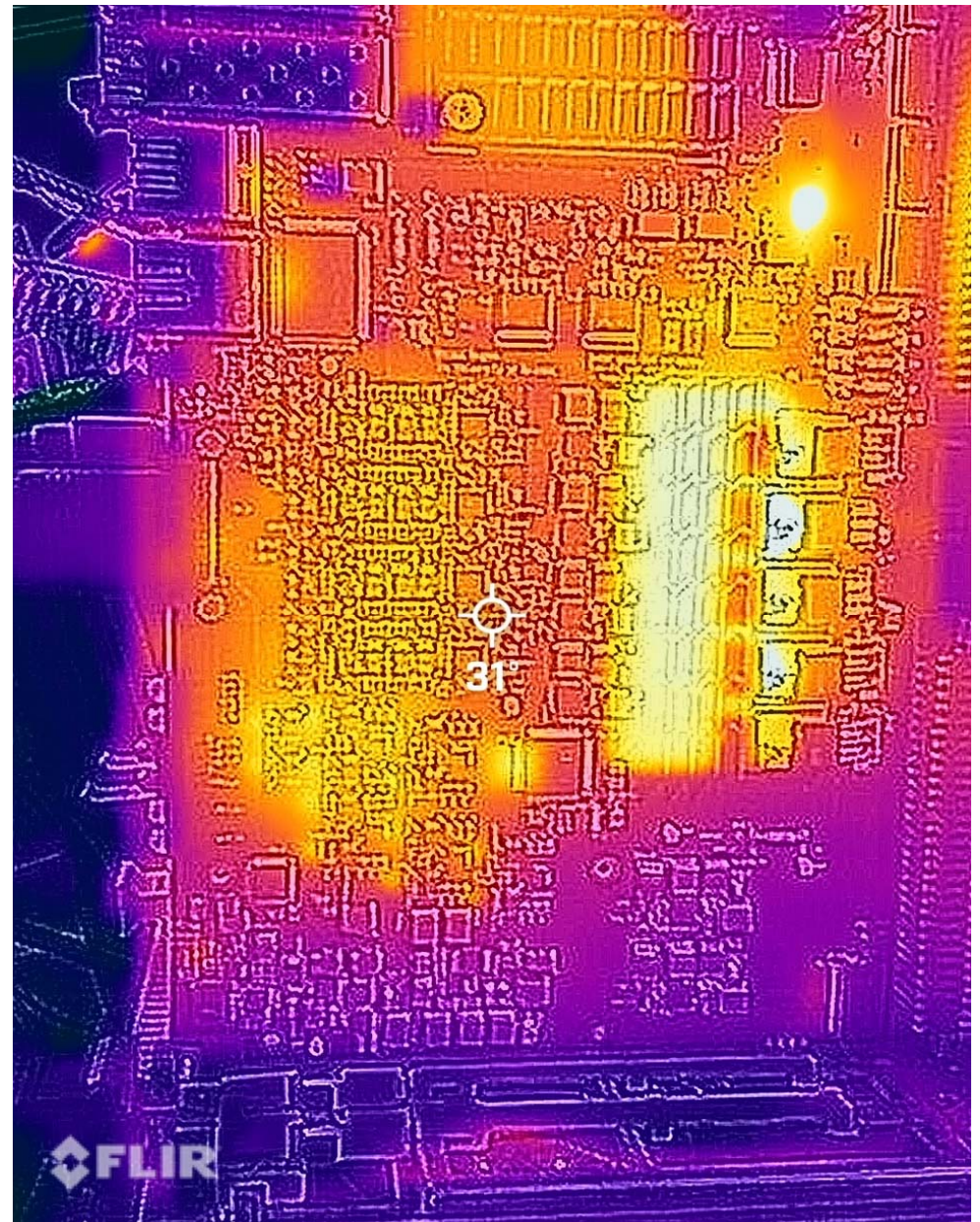
Mircea Bogdan



# DAMIC - ACM

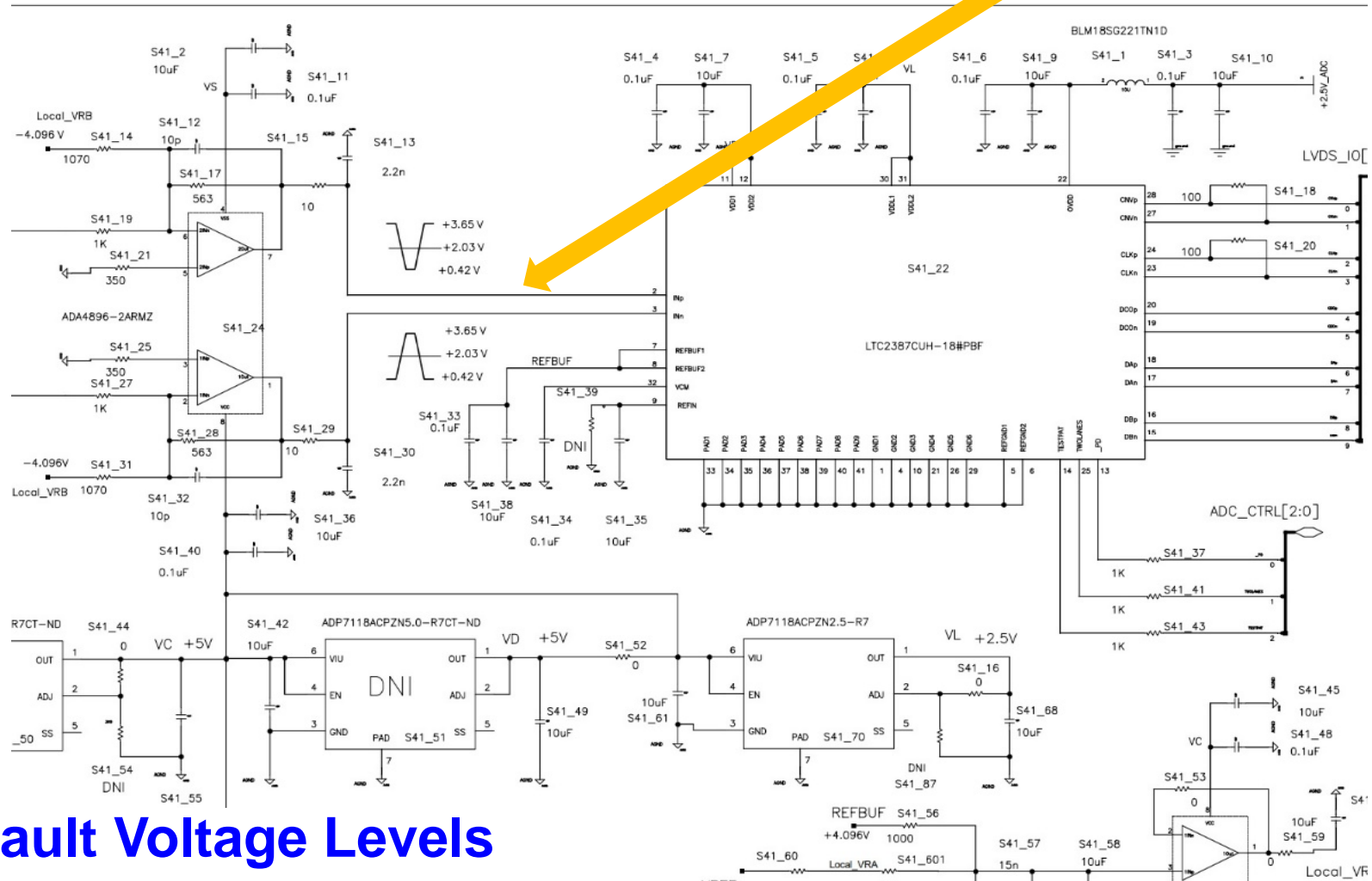


**Smoke Test**



# DAMIC - ACM

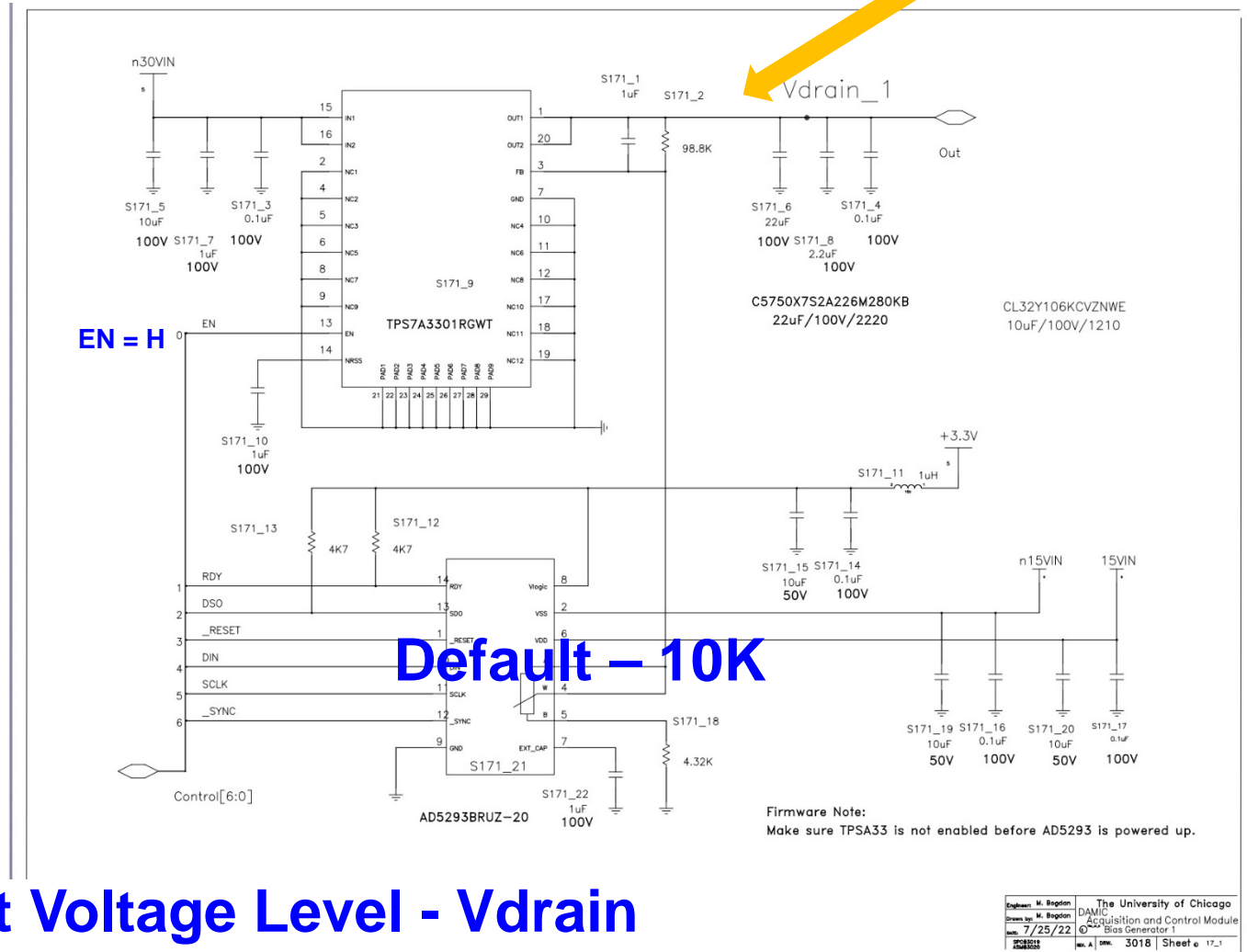
+2V



Default Voltage Levels

# DAMIC - ACM

**-9.3V**

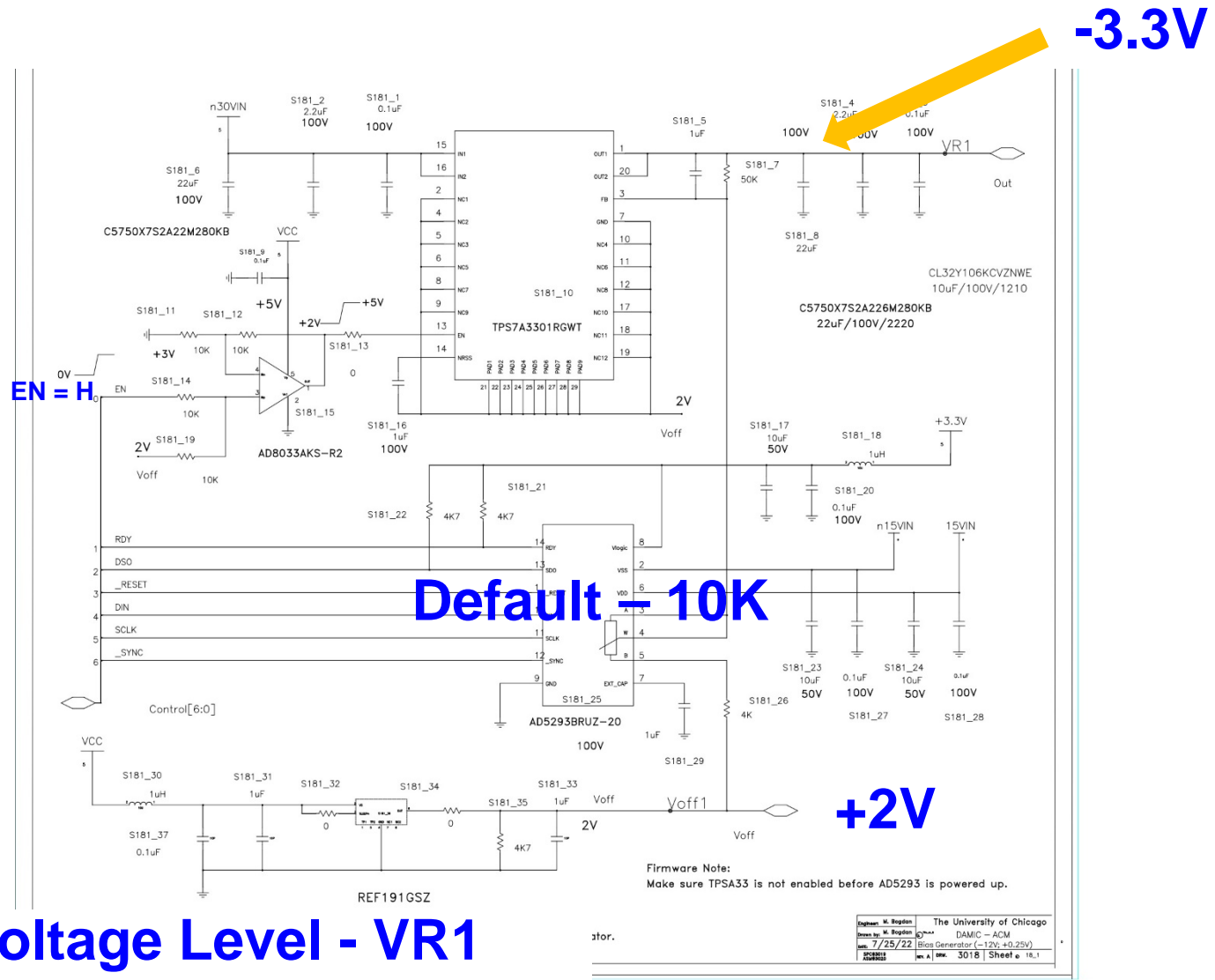


**Default Voltage Level - Vdrain**

Engineer: M. Bogdan	The University of Chicago
Drawn by: M. Bogdan	DAMIC
Date: 7/25/22	Acquisition and Control Module
	Bias Generator 1
Sheet 3018	Sheet 17_1



# DAMIC - ACM



Default Voltage Level - VR1



# DAMIC - ACM

**VME Communication - OK**

**Default Voltage Levels - OK**

**Modules are ready for testing with firmware**