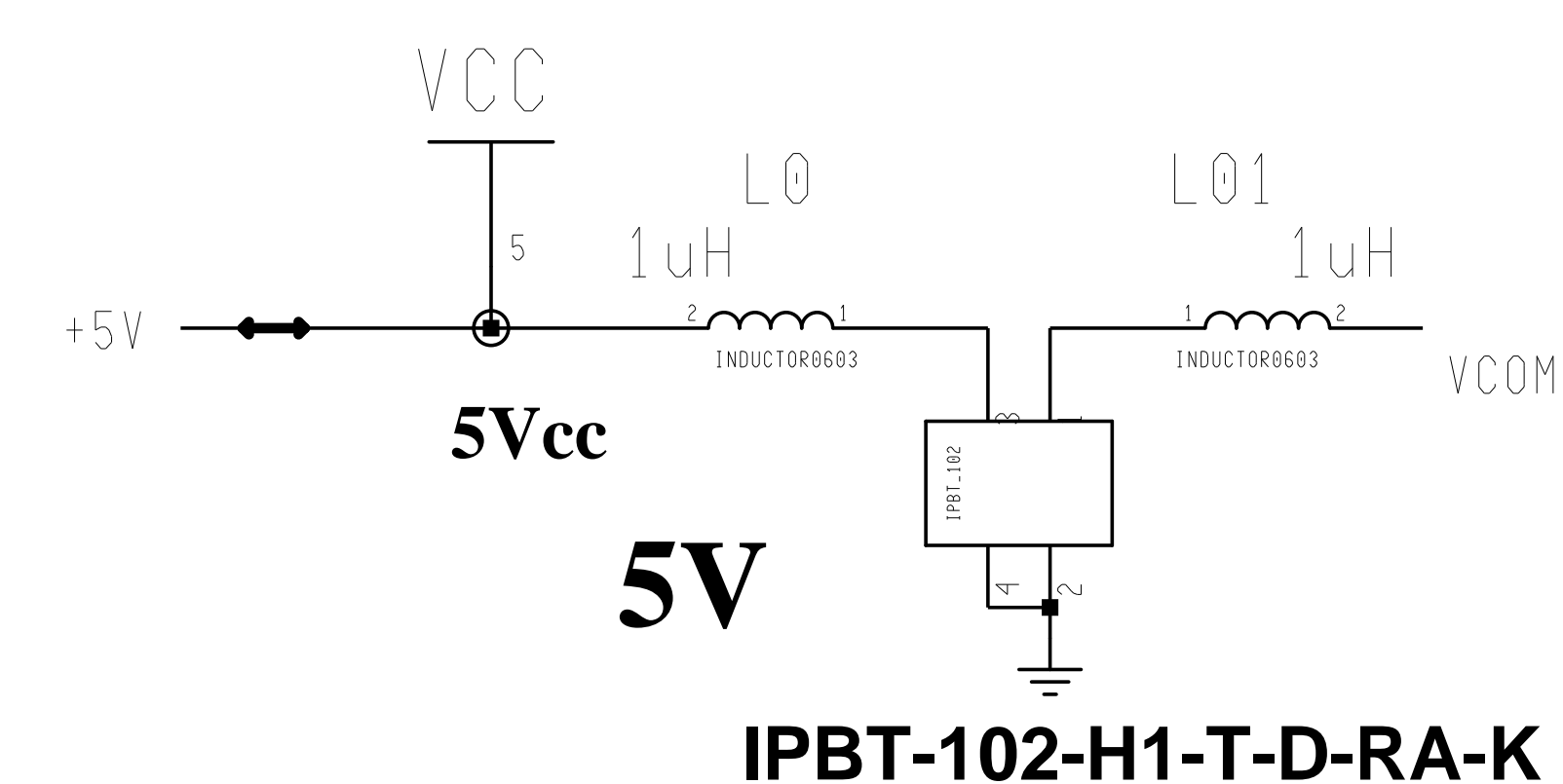
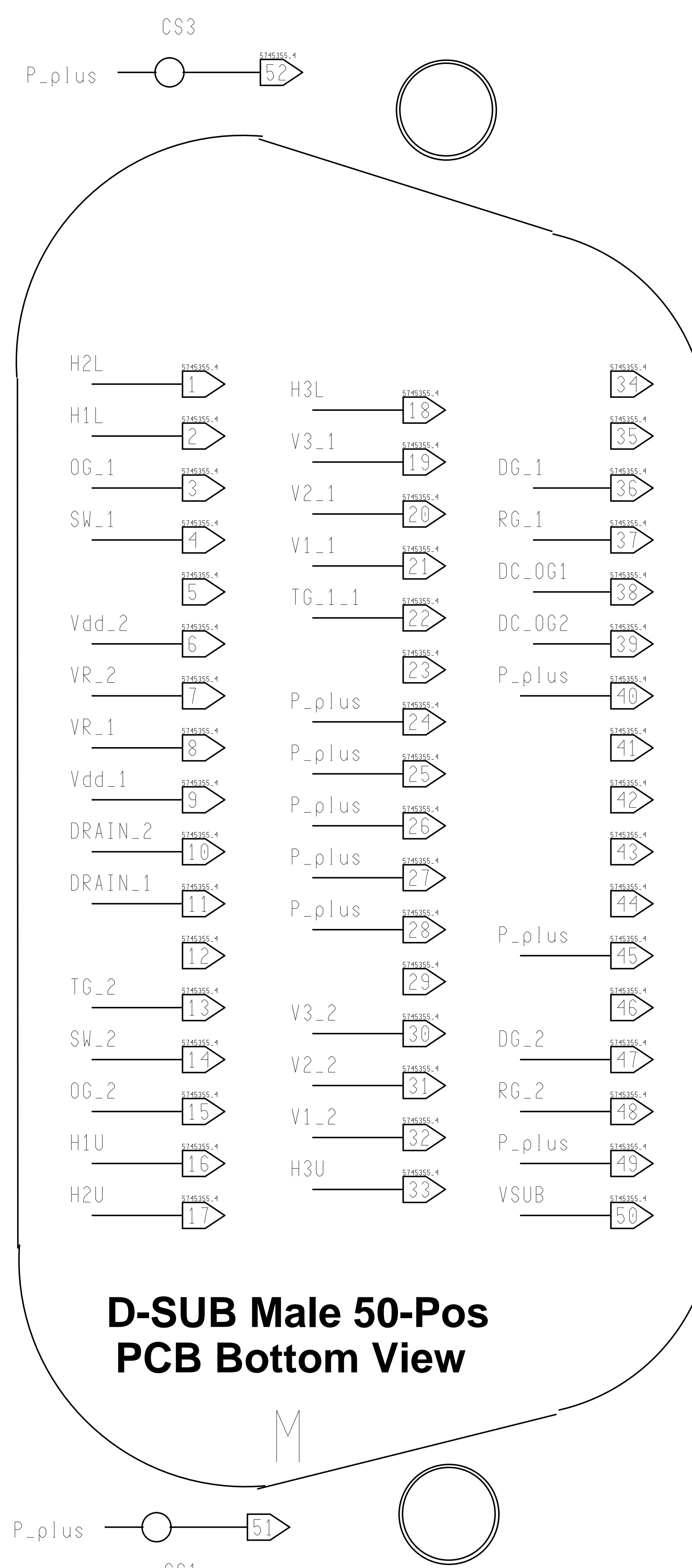
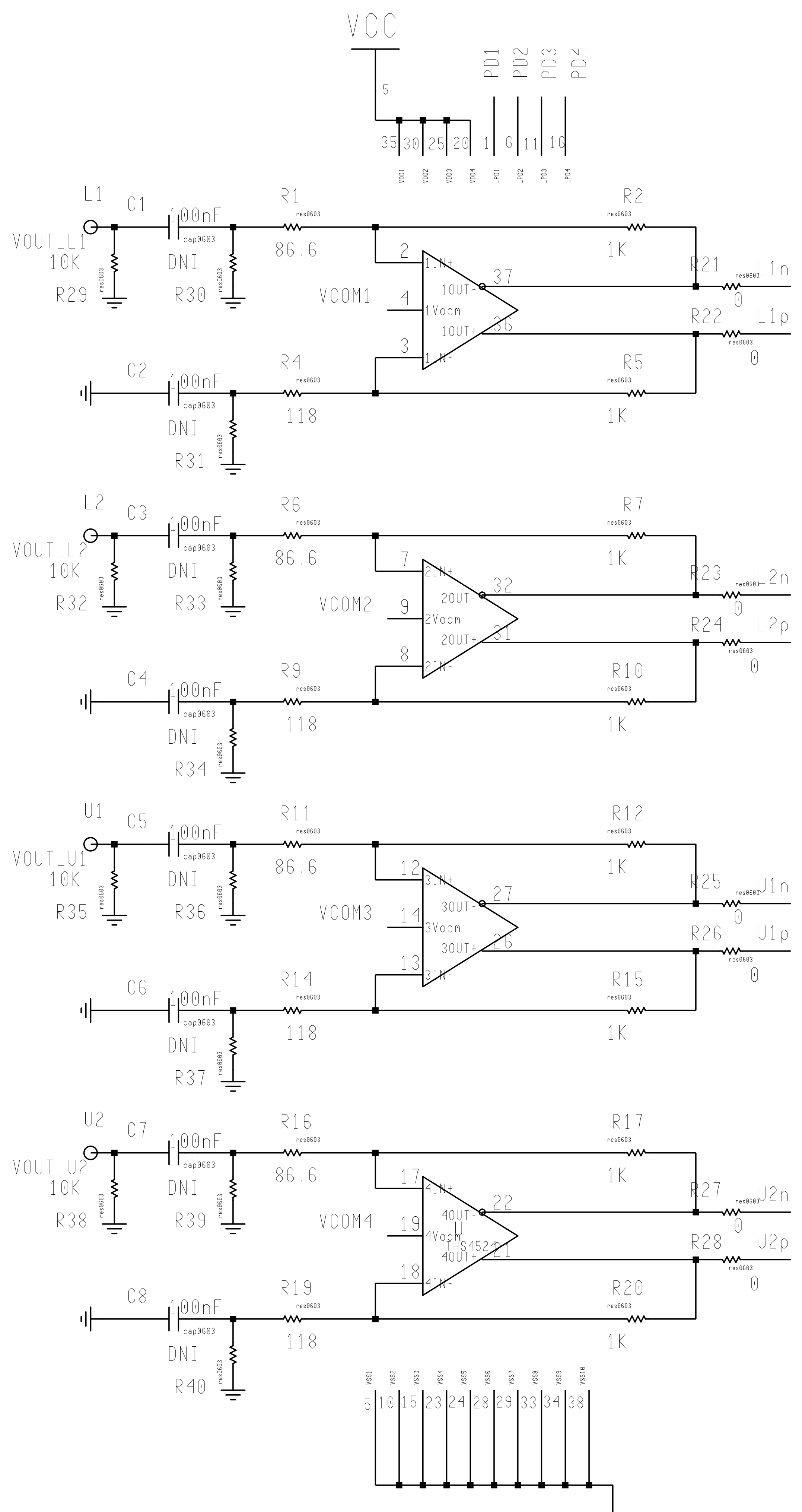
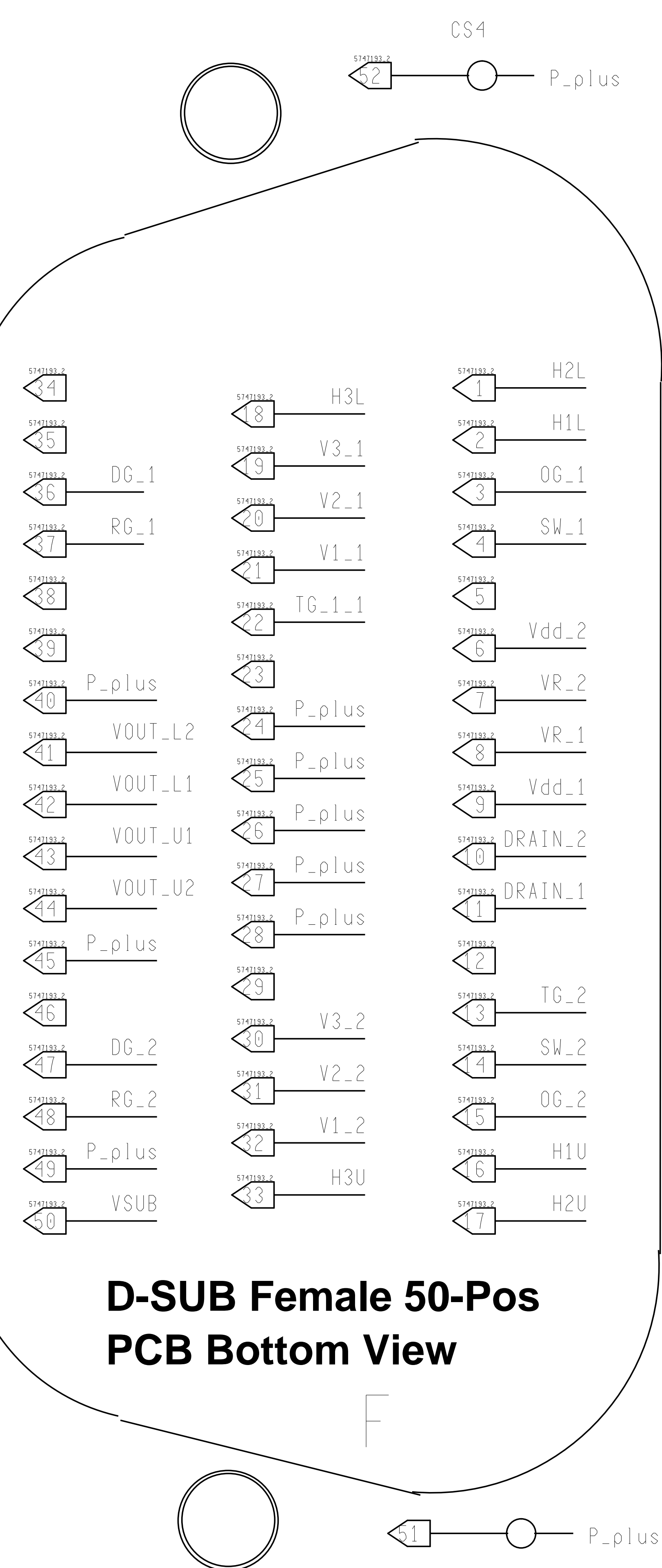
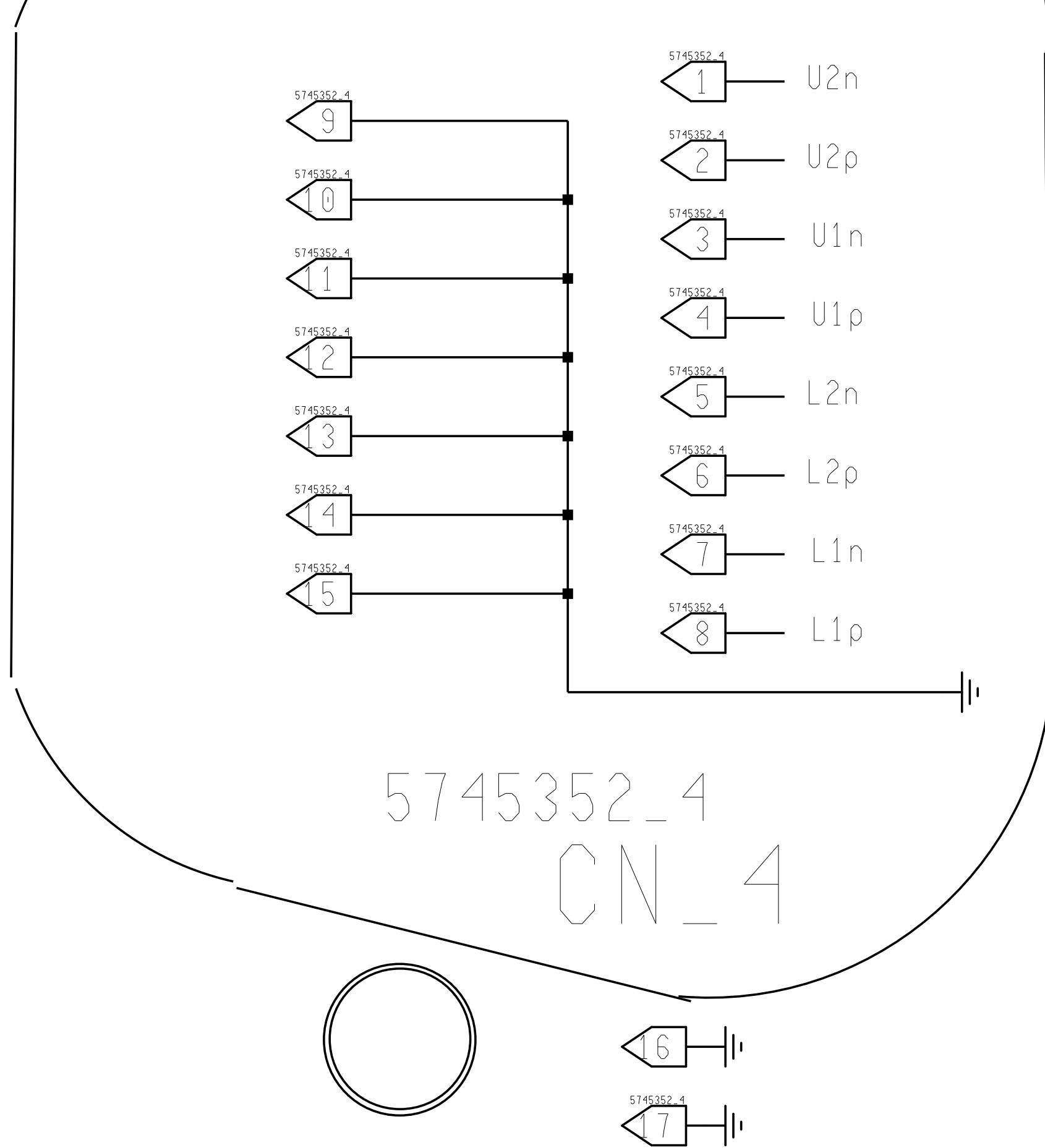


Left Side of PCB



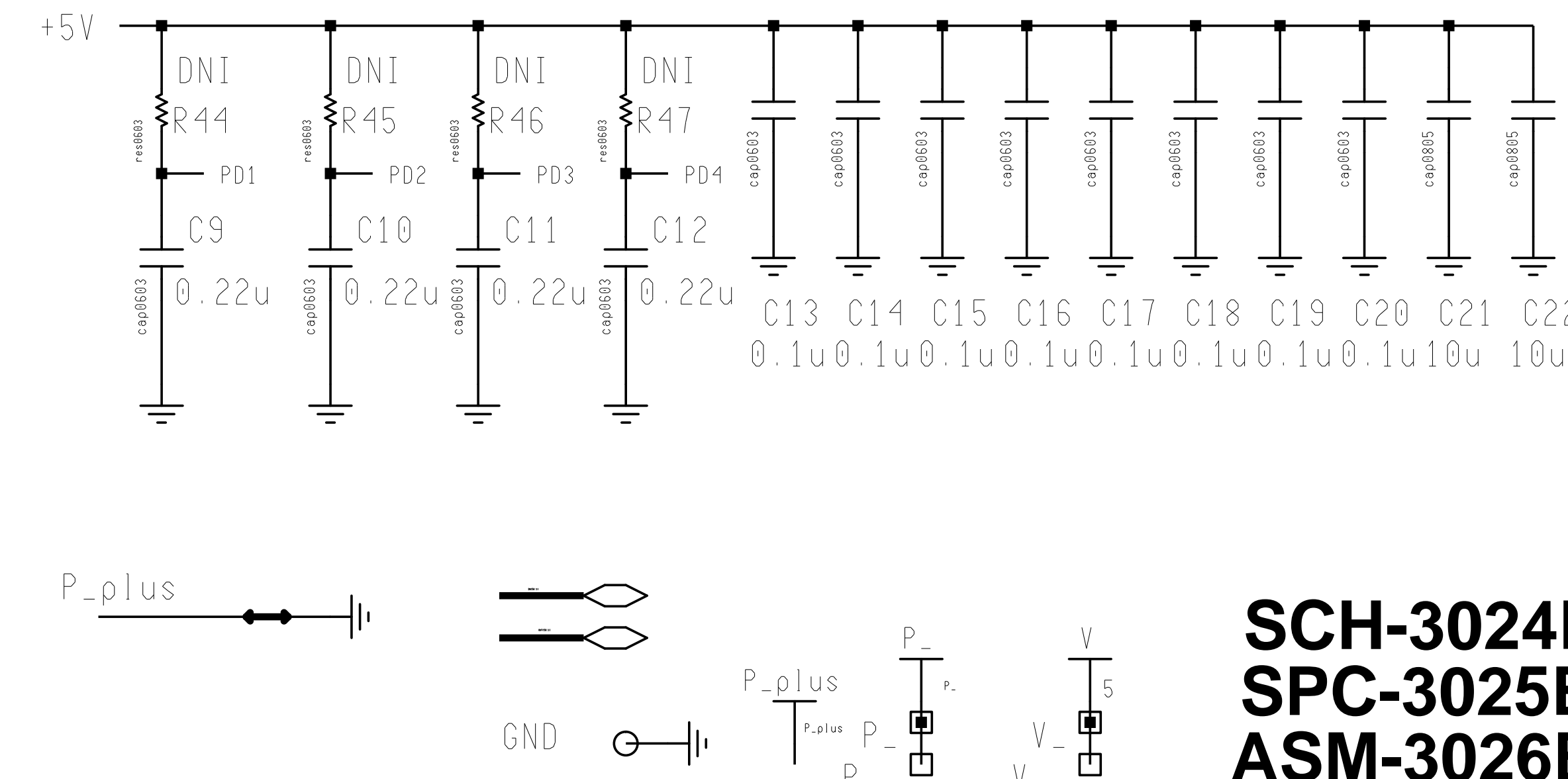
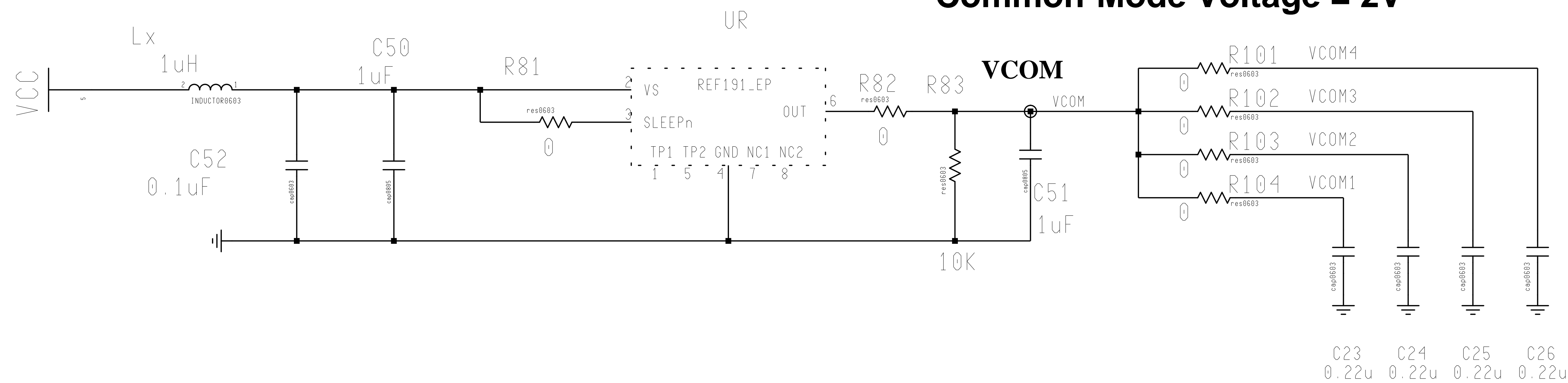
PCB Top View D-SUB Male 15-Pos



D-SUB Female 50-Pos PCB Bottom View

D-SUB Male 50-Pos PCB Bottom View

Common-Mode Voltage = 2V



Engineer: M. Bogdan
Drawn by: M. Bogdan
DATE: 8/10/2022

The University of Chicago
5620 S. Ellis Ave. Chicago, IL 60637
DAMIC-Front End Test Board-B

REV. B DRW. 3024B Sheet 1 of 1