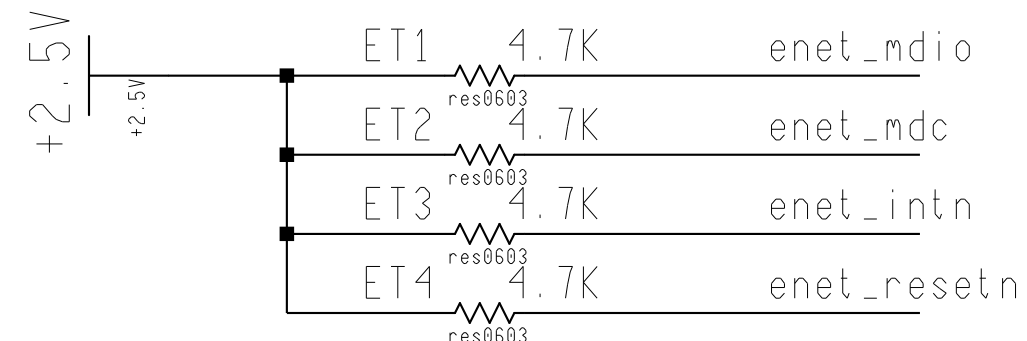
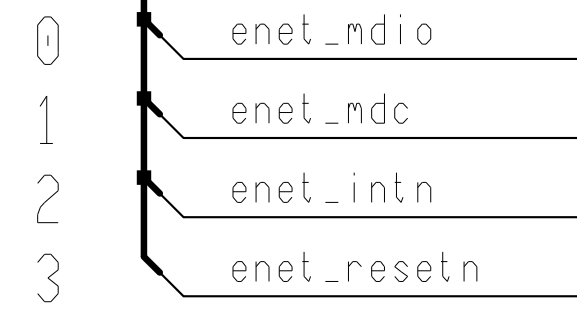


Mngmnt (5:0)



+2.5V

VCC_1.1Vb



88E1111RCJ

ET6

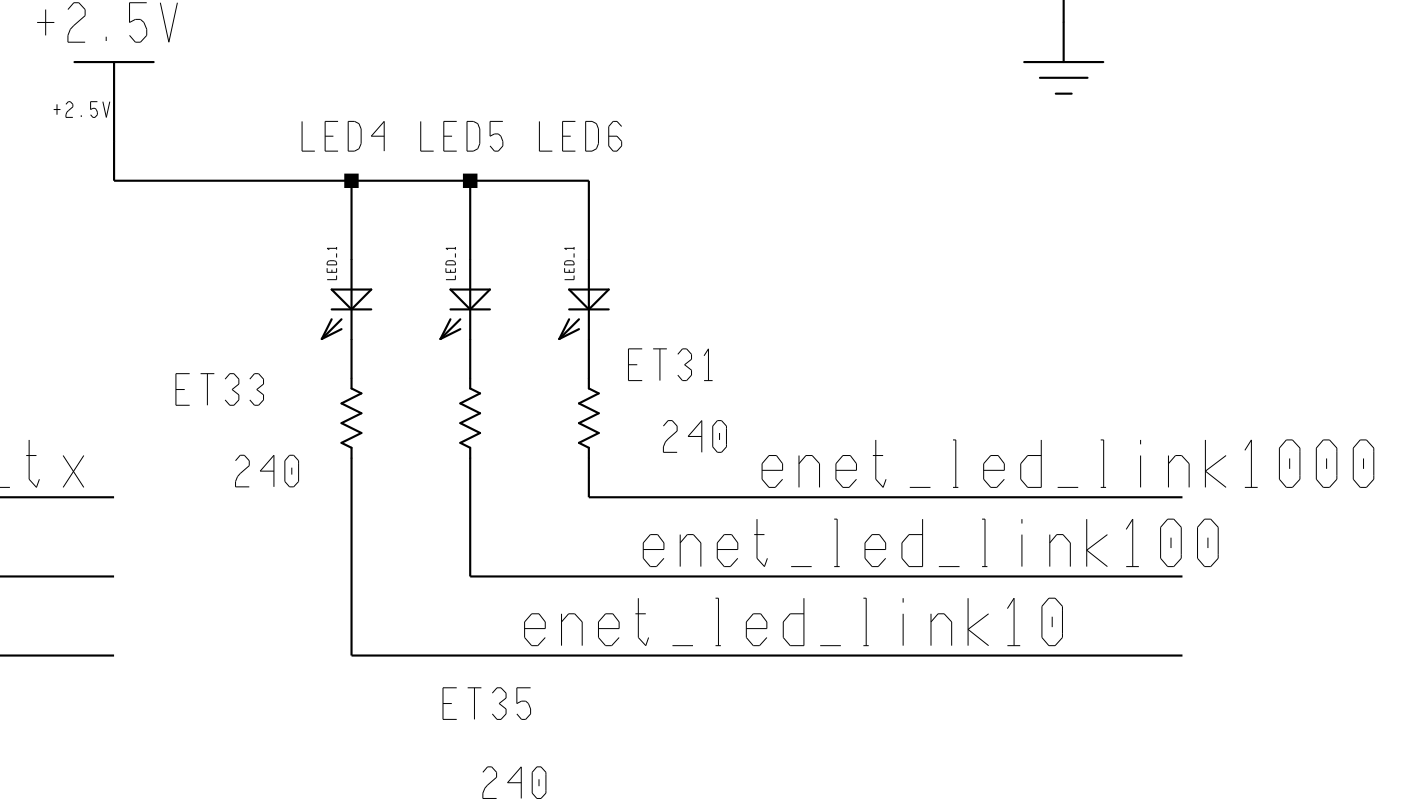
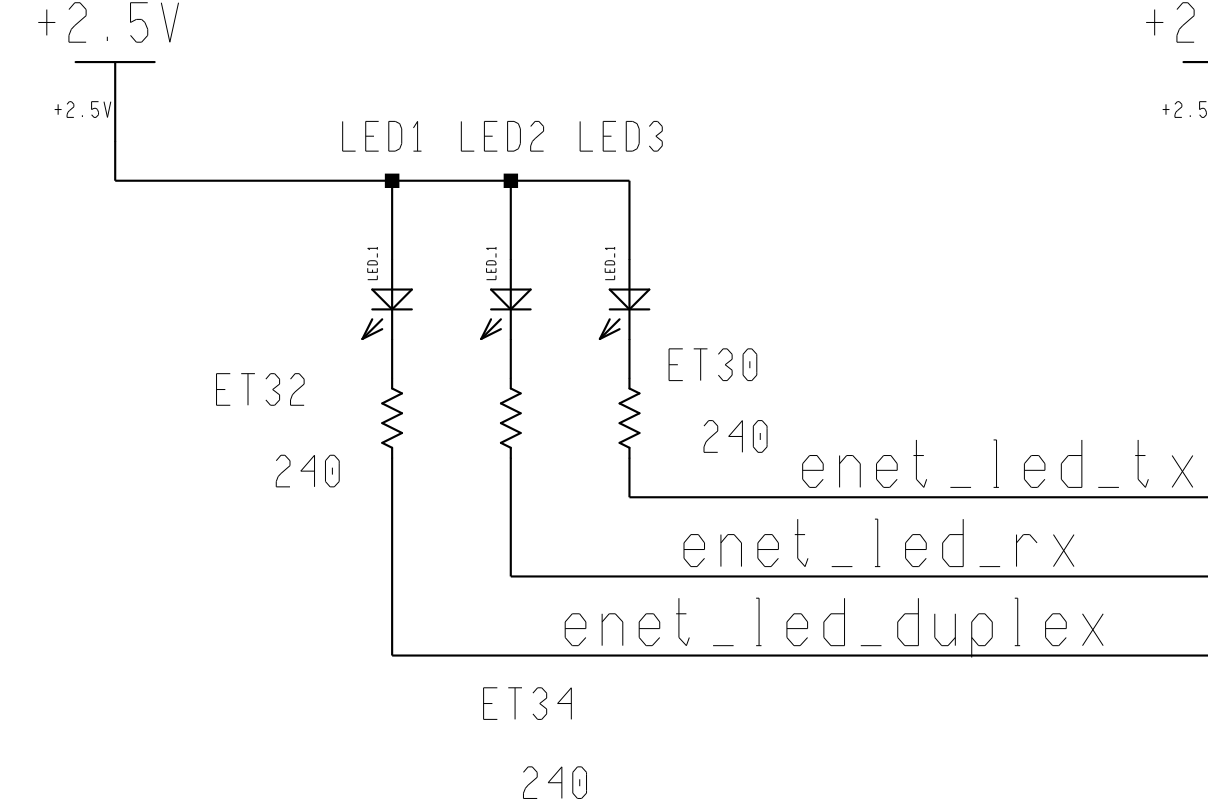
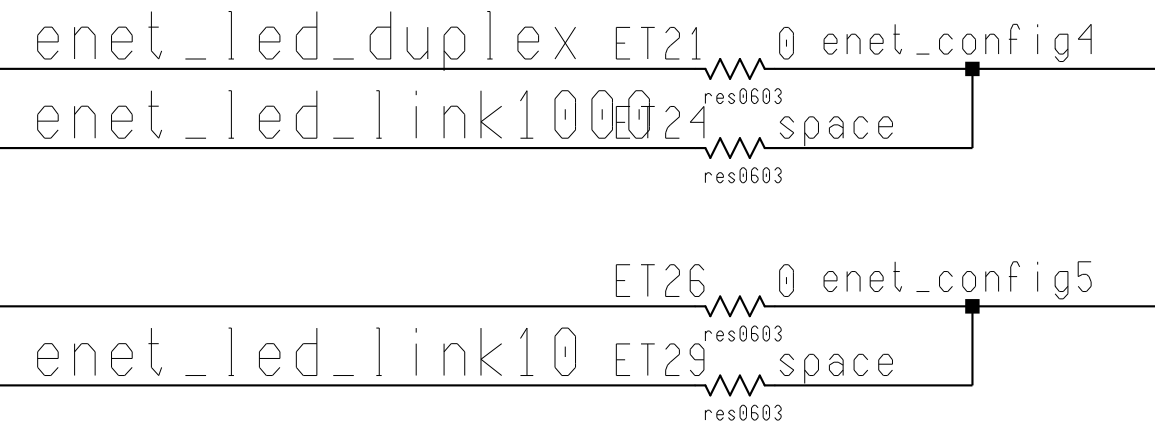
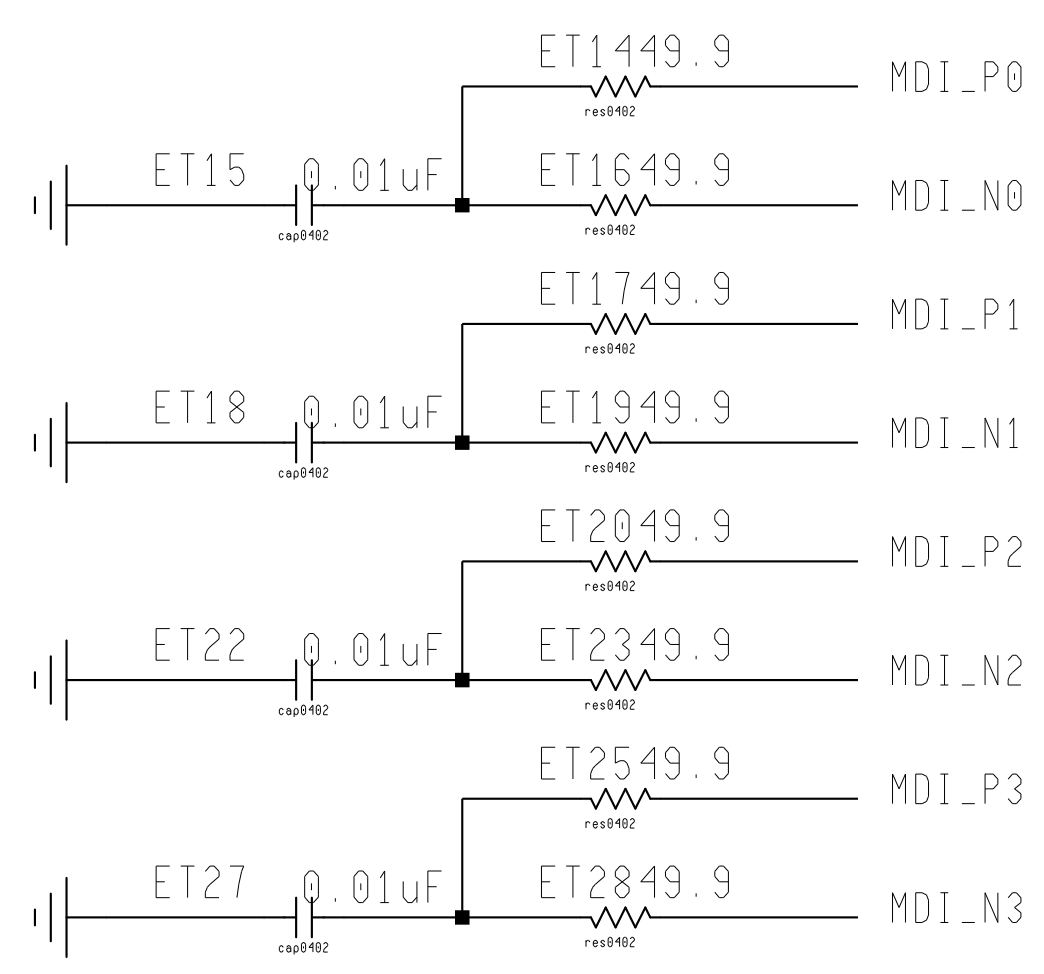
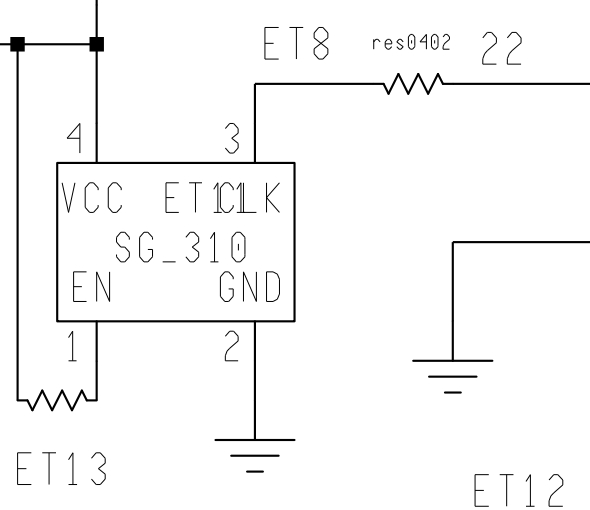
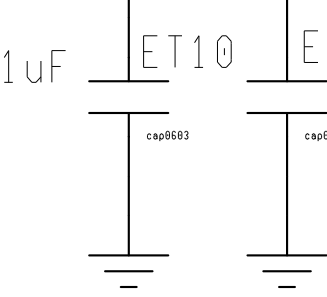
+2.5V

+2.5V

+2.5V

25MHz CMOS

SG-310SDF 25.000MB3

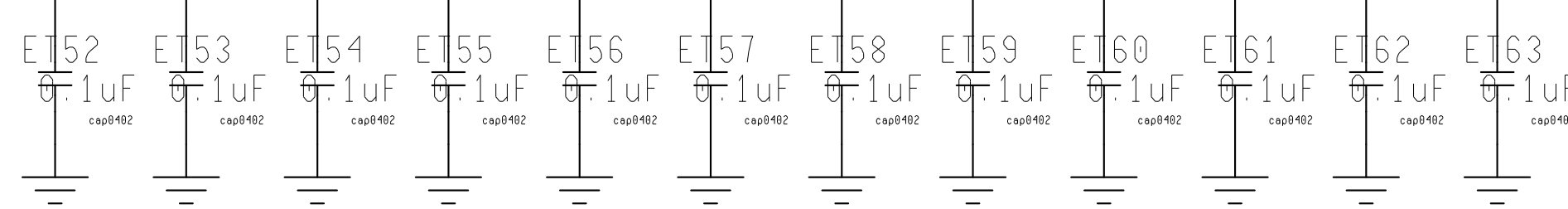
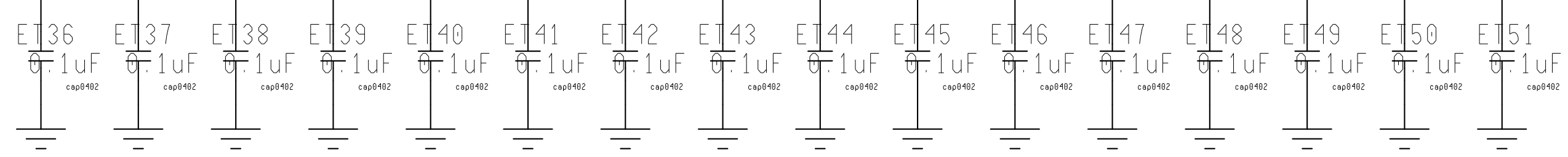


+2.5V

+2.5V

+2.5V

VCC_1.1Vb



Engineer: M. Bogdan	DAMIC - ODILE Module 10/100/1000 Ethernet The University of Chicago		
Drawn by: M. Bogdan			
DATE: 4/11/2019	REV. A	DRW. 2937	Sheet 11
SPC#2938 ASM#2939			