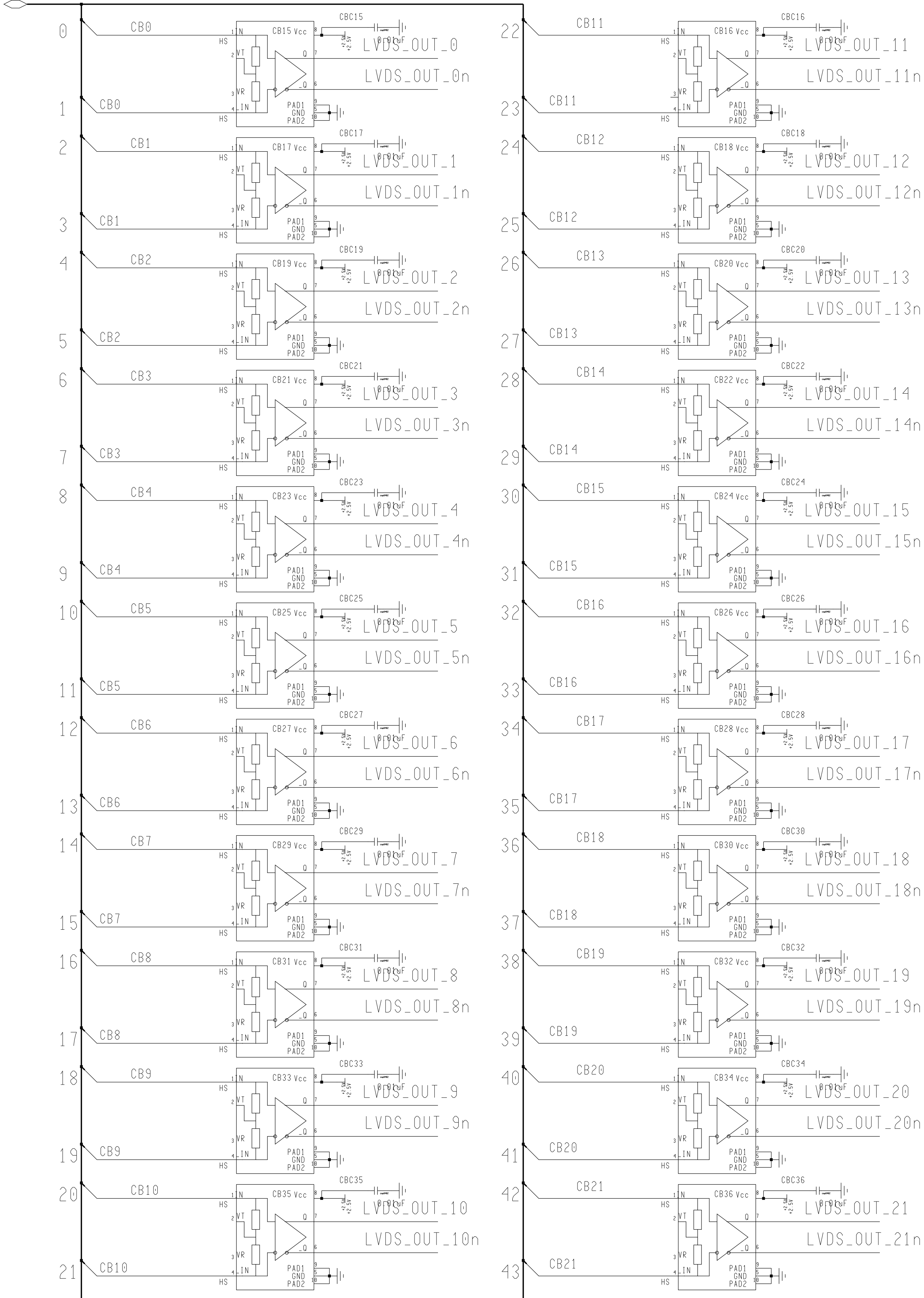
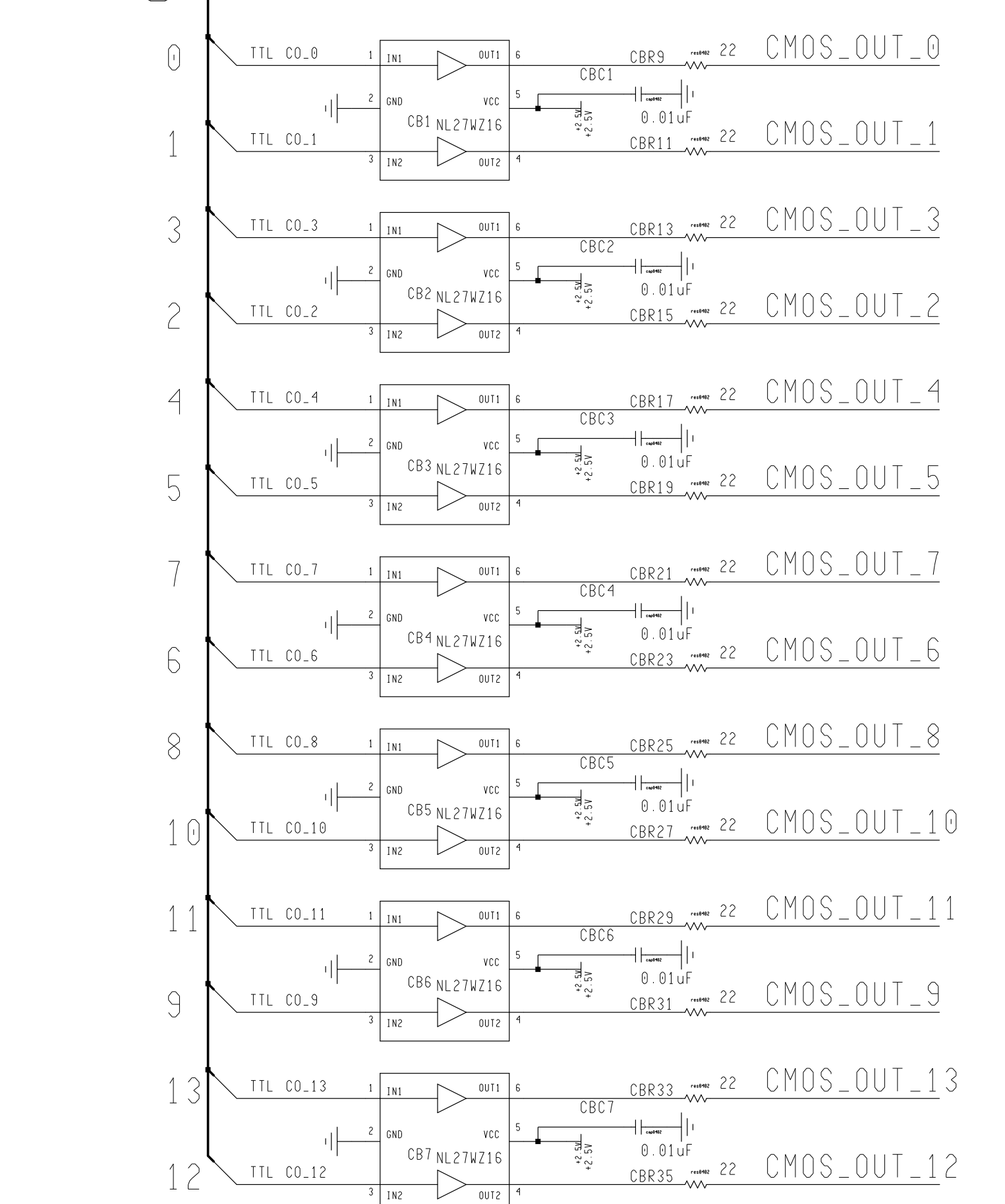


LVDS\_OUT[143:0]

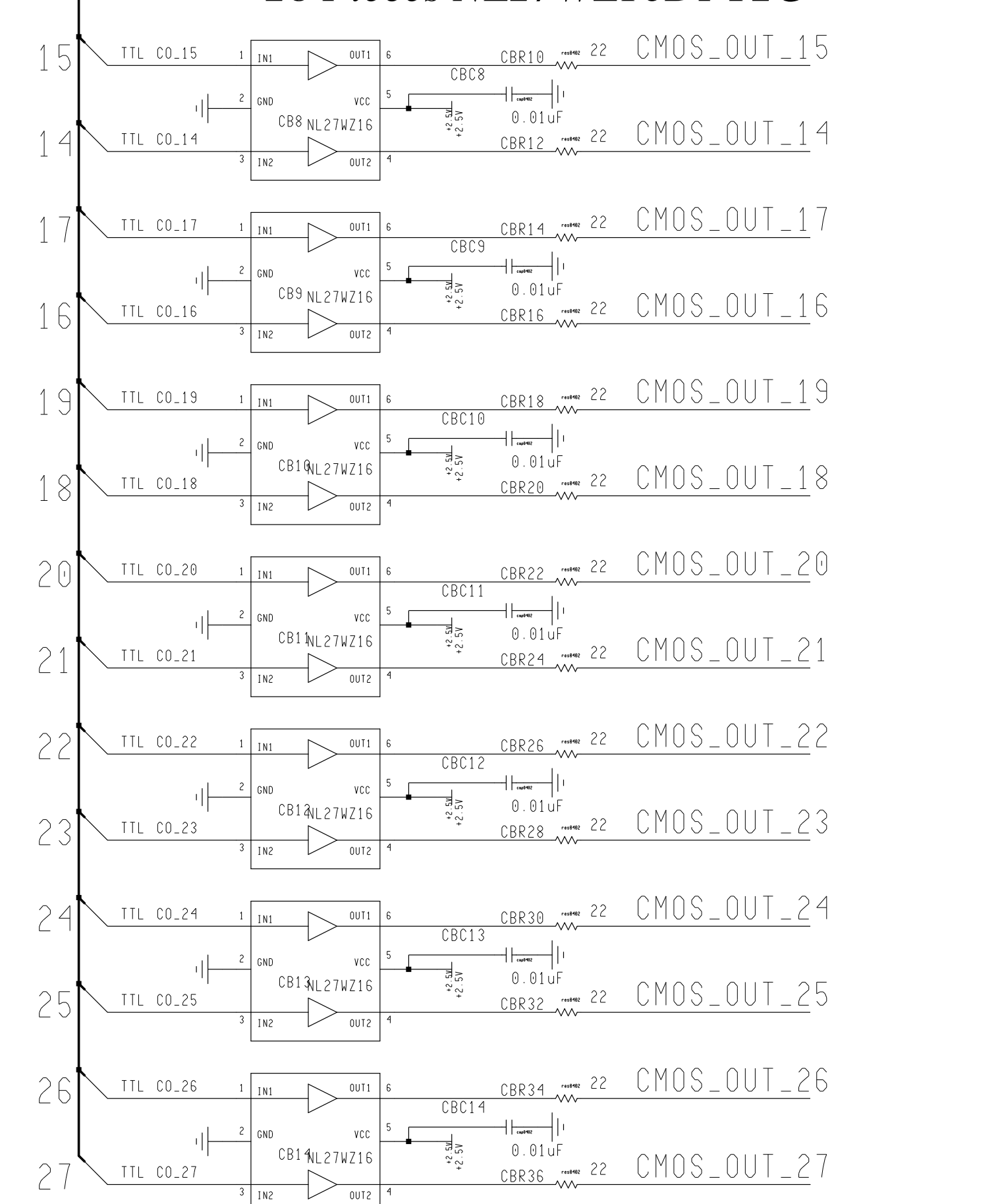
22 Pieces of SY58605UMGTR



CMOS\_OUT[27:0]



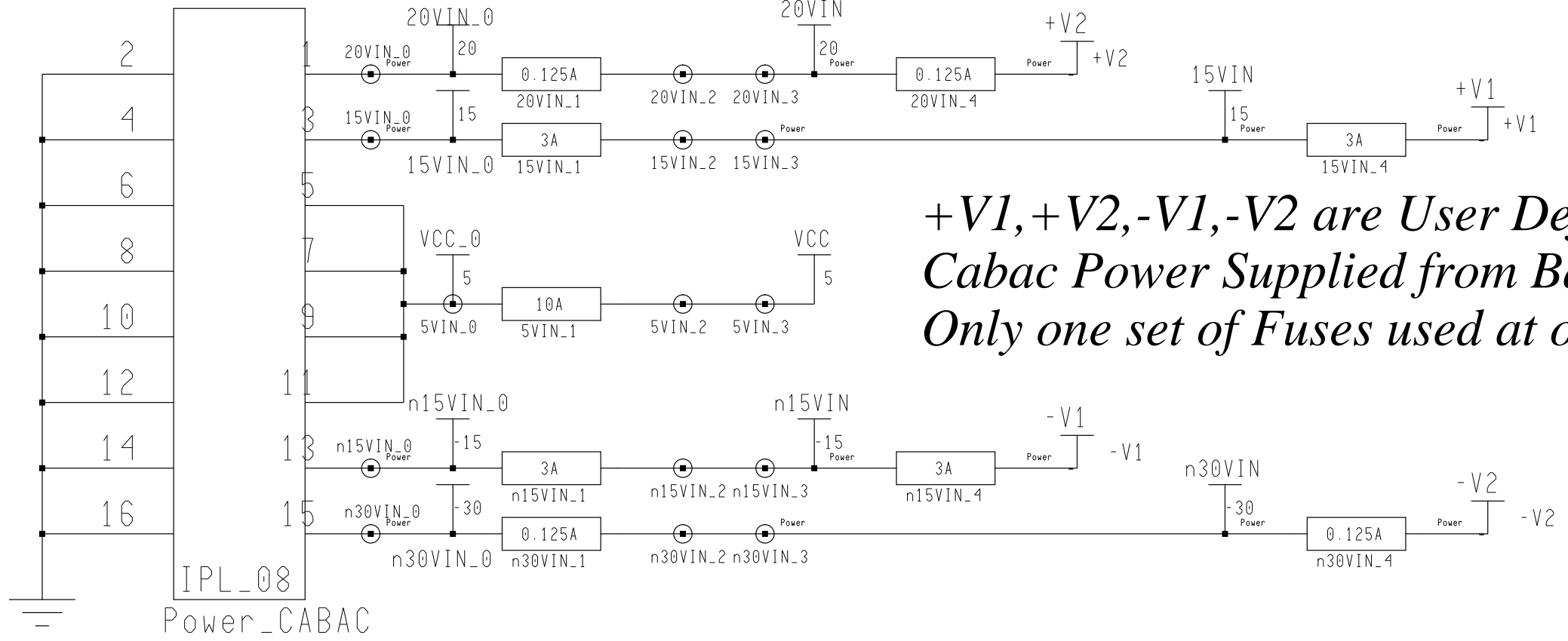
28 Pieces NL27WZ16DFT2G



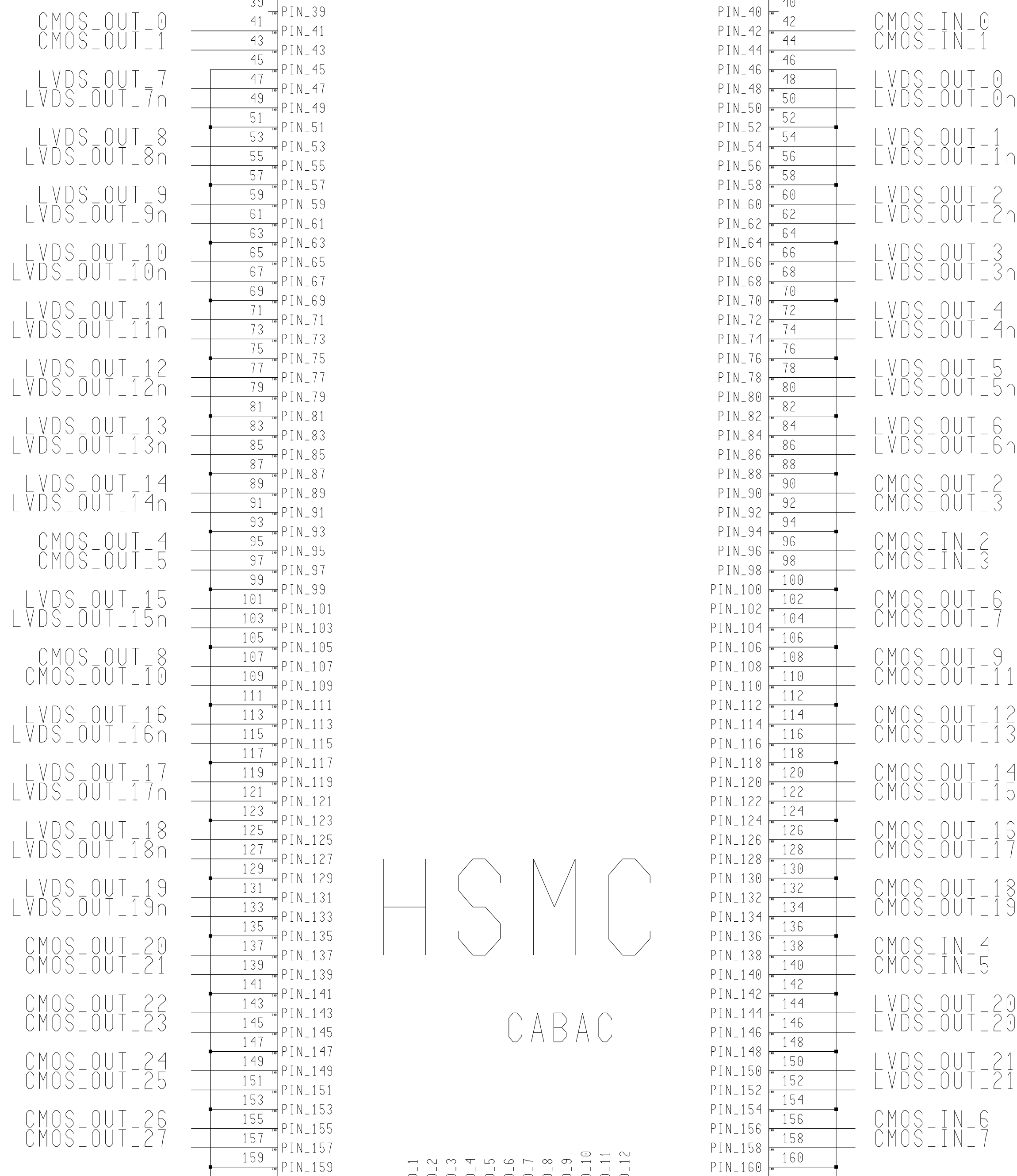
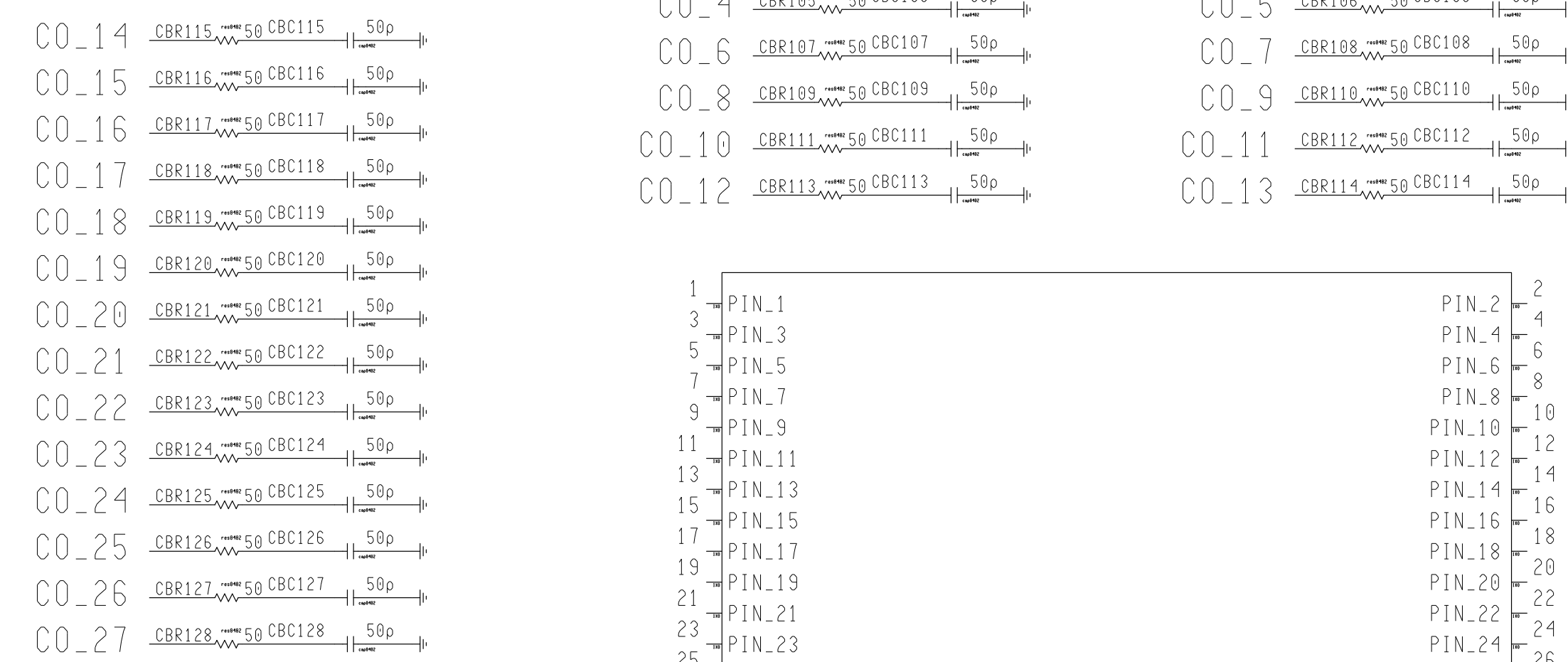
NOTES:

1. All CMOS\_IN lines are driven by the Mezzanine Card.
2. All LVDS\_OUT, CMOS\_OUT lines are driven by the Motherboard.
3. All unused single ended lines must be terminated with 10 KOhm to GND and a 50 Ohm series with 50 pF to GND on the Mezzanine Card.
4. All unused LVDS\_OUT lines must be terminated differentially with 100 Ohm on the Mezzanine Card.

Samtec miniMATE IPL1-108-01-F-D-RA-K

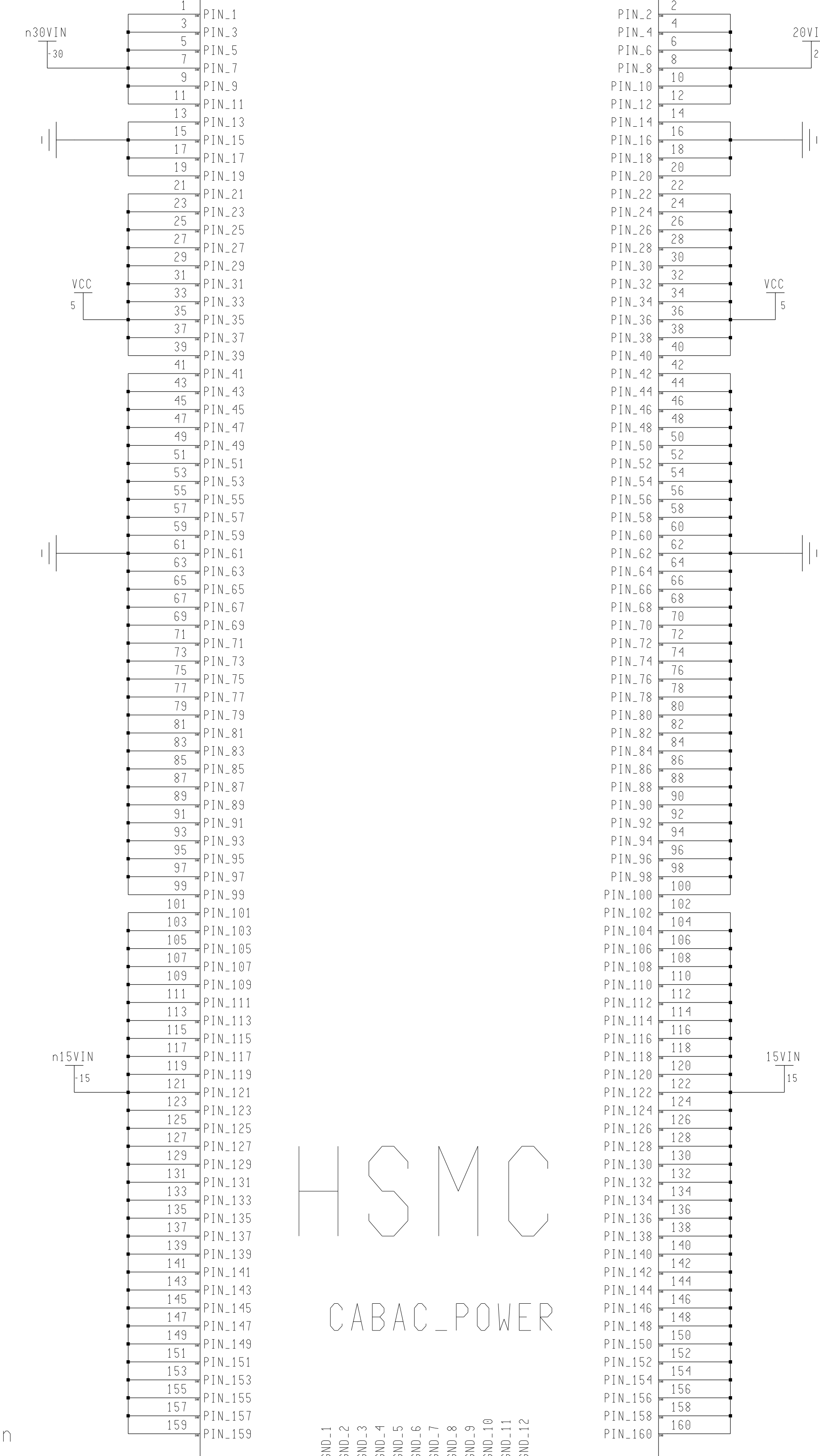
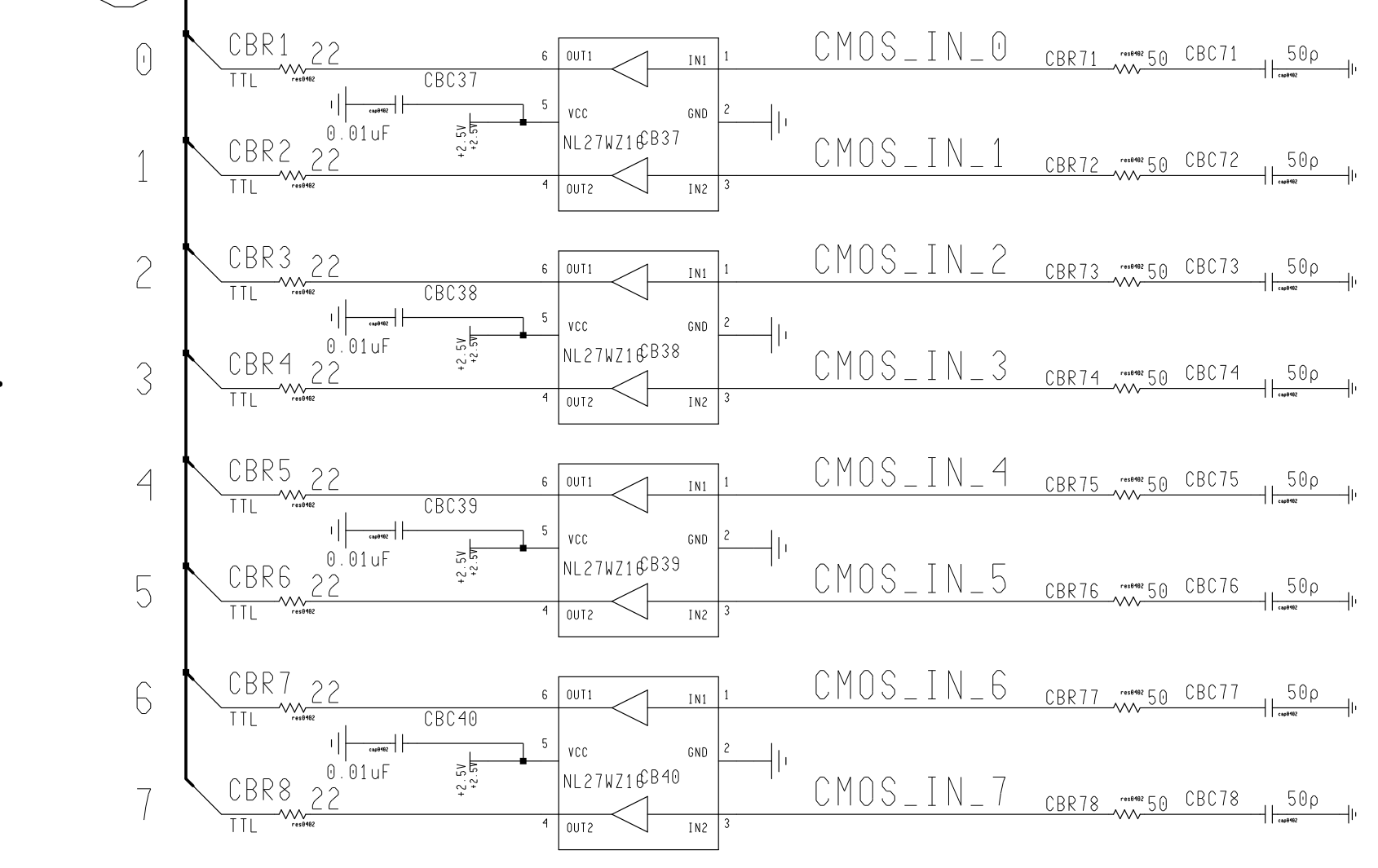


+V1, +V2, -V1, -V2 are User Defined VME Power Rails Cabac Power Supplied from Backplane or Front Panel Connector Only one set of Fuses used at one time



CMOS\_IN[7:0]

8 Pieces NL27WZ16DFT2G



HSMC CABAC POWER