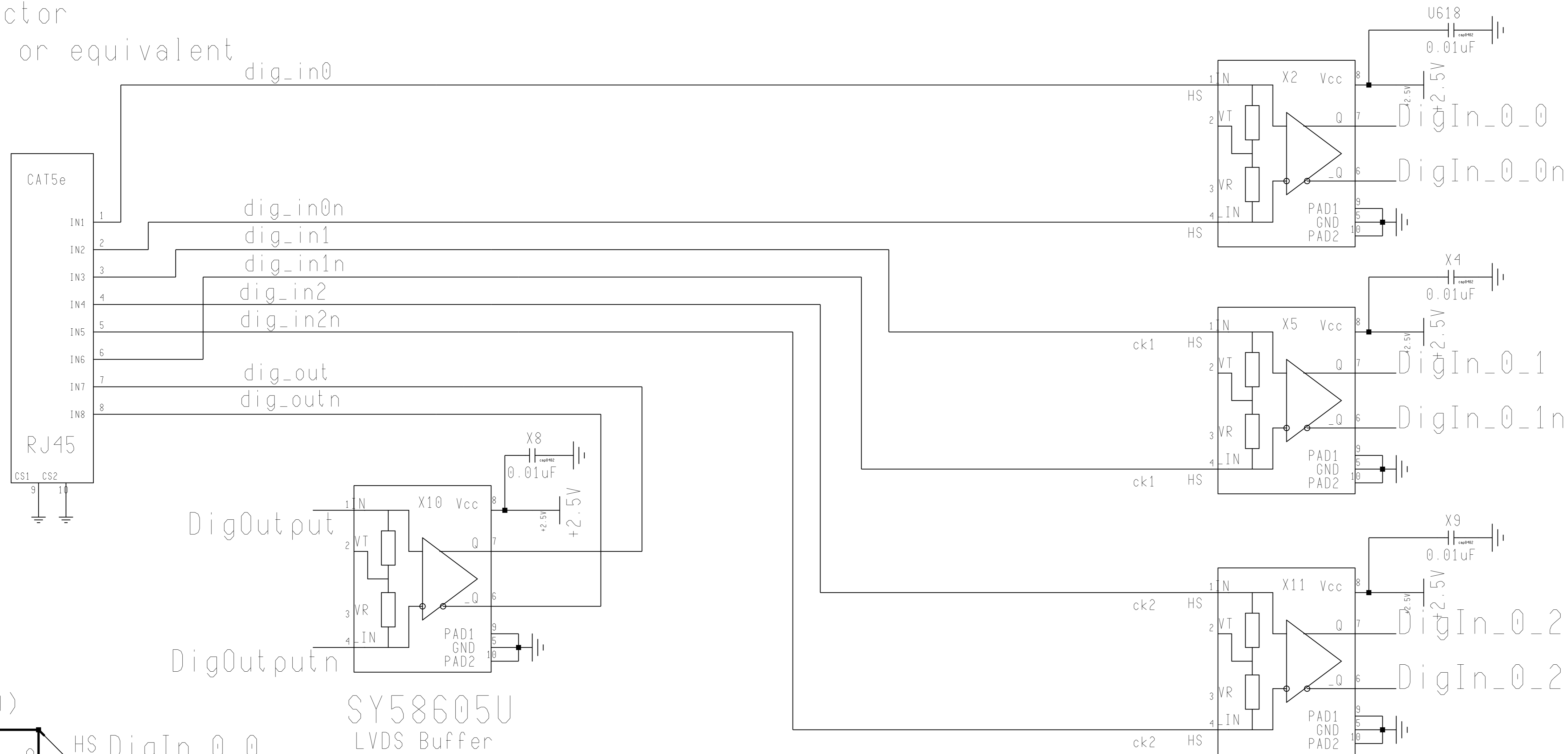
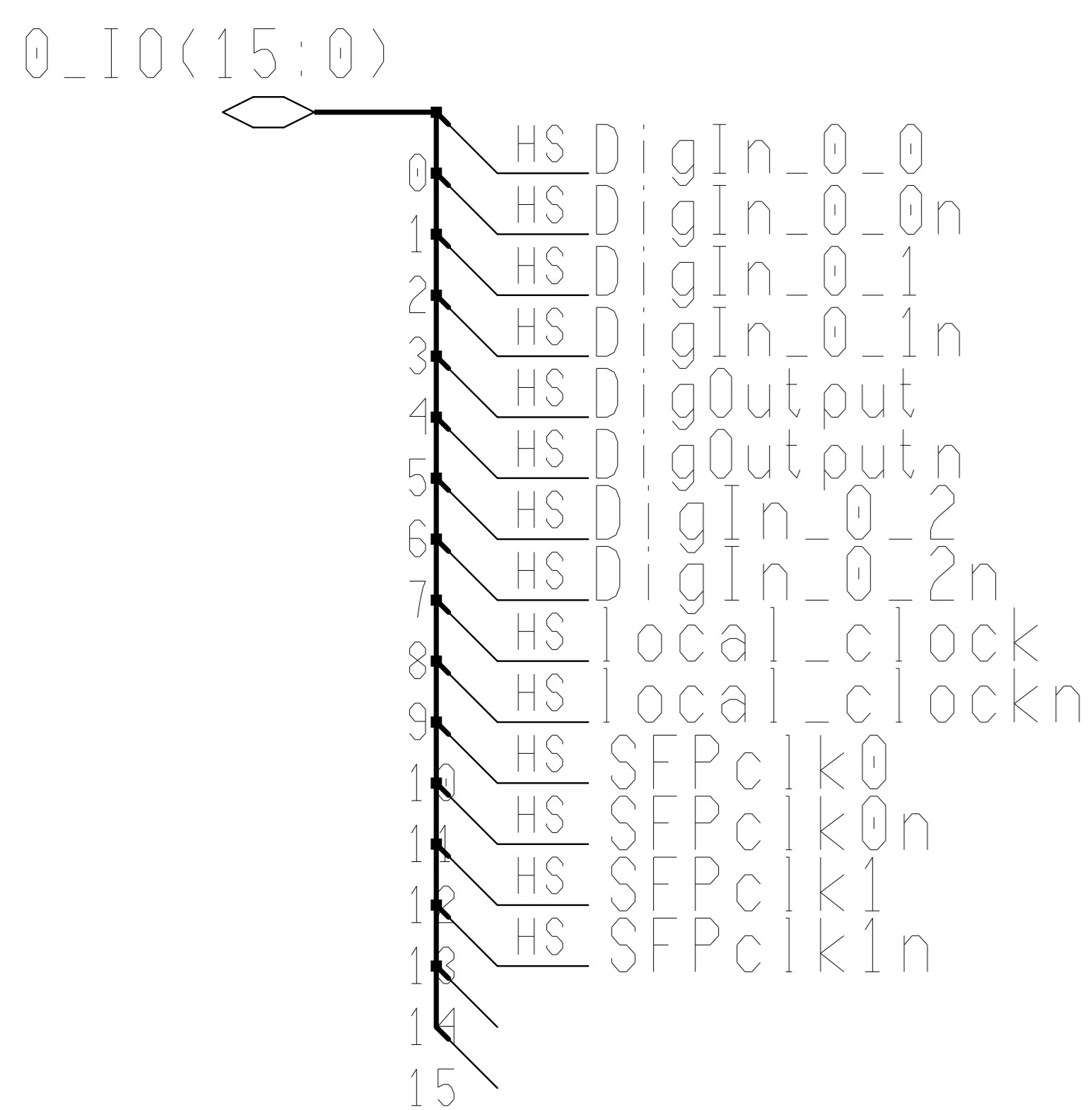


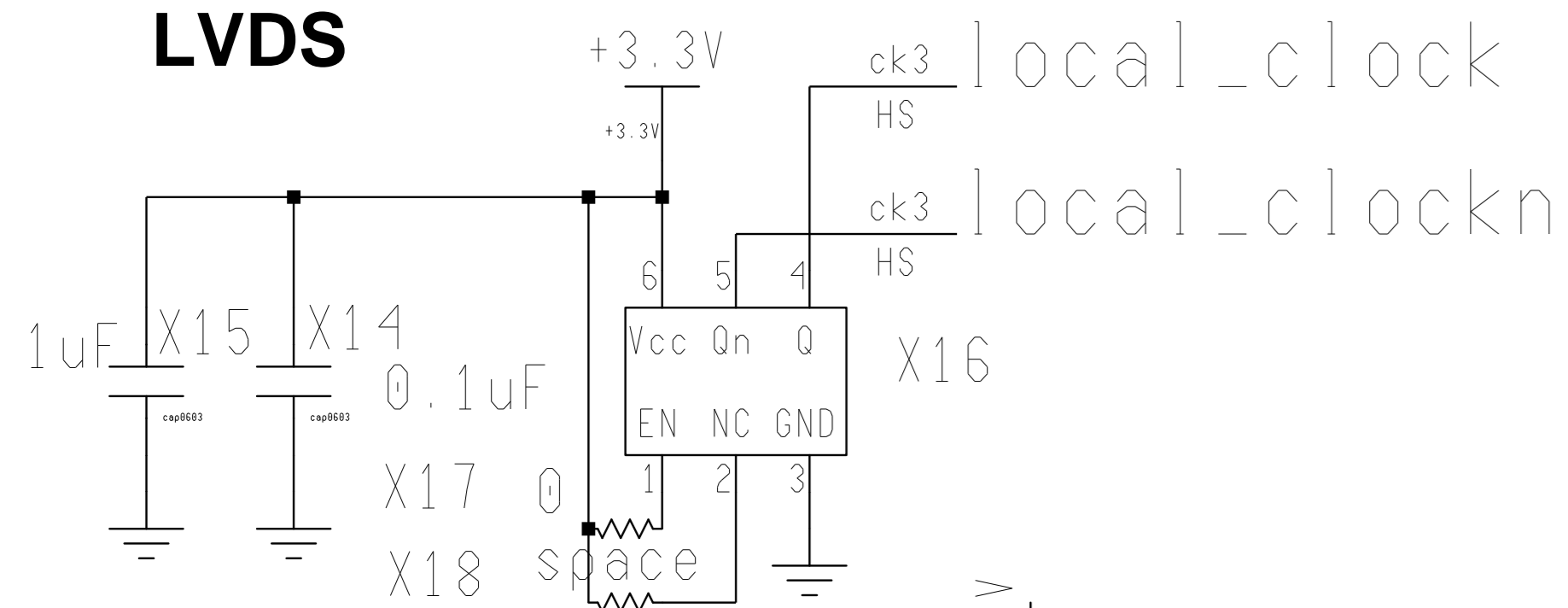
RJ45 Connector
AJT65B8813 or equivalent



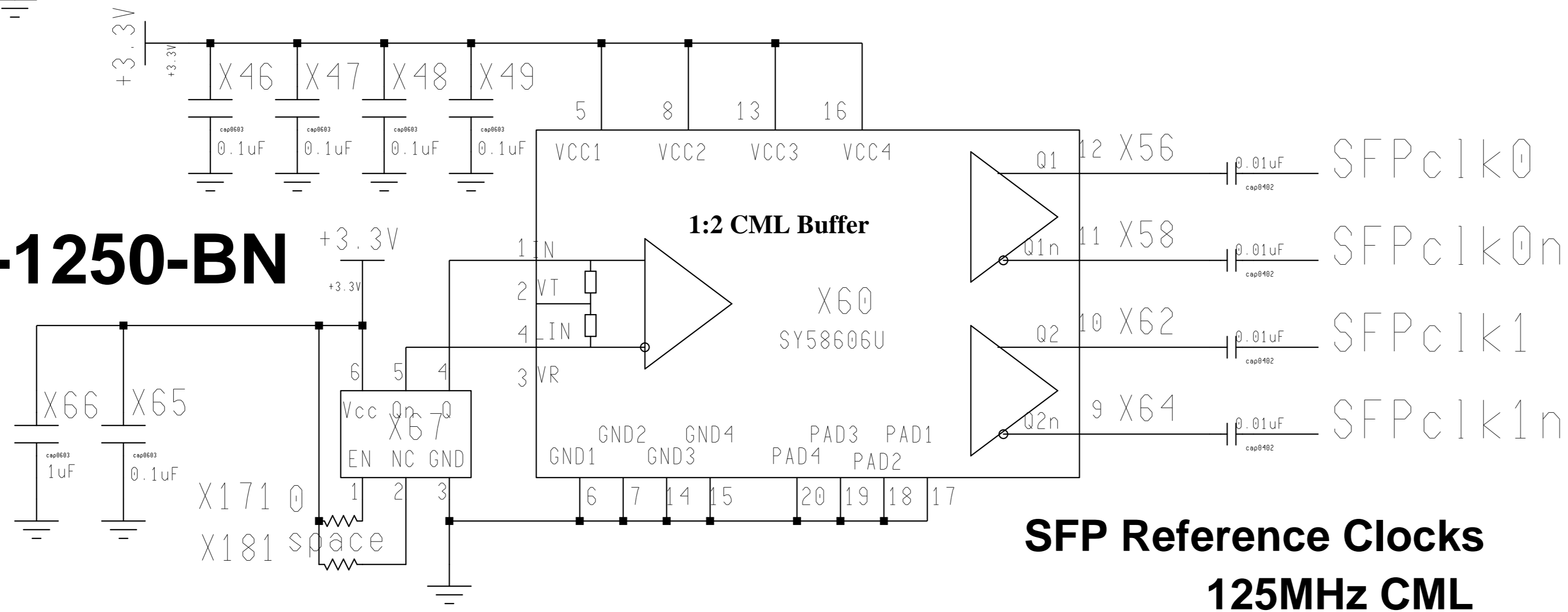
**System Reference Clock
LVDS**



**Local Reference Clock
LVDS**



**ECS-LVDS33-1250-BN
125MHz LVDS**



**SFP Reference Clocks
125MHz CML**

Engineer: M. Bogdan	<i>DAMIC - ODILE Module</i> Digital Input and Clocks The University of Chicago		
Drawn by: M. Bogdan			
DATE: 4/11/2019			
SPC#2938 ASM#2939	REV. A	DRW. 2937	Sheet 2