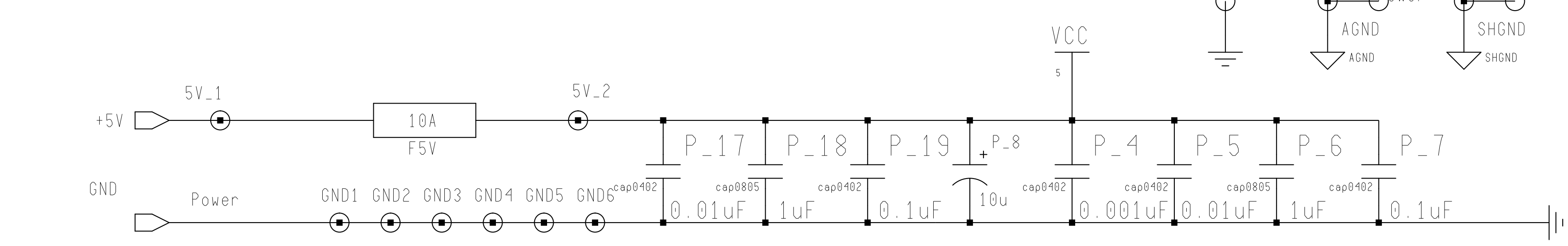
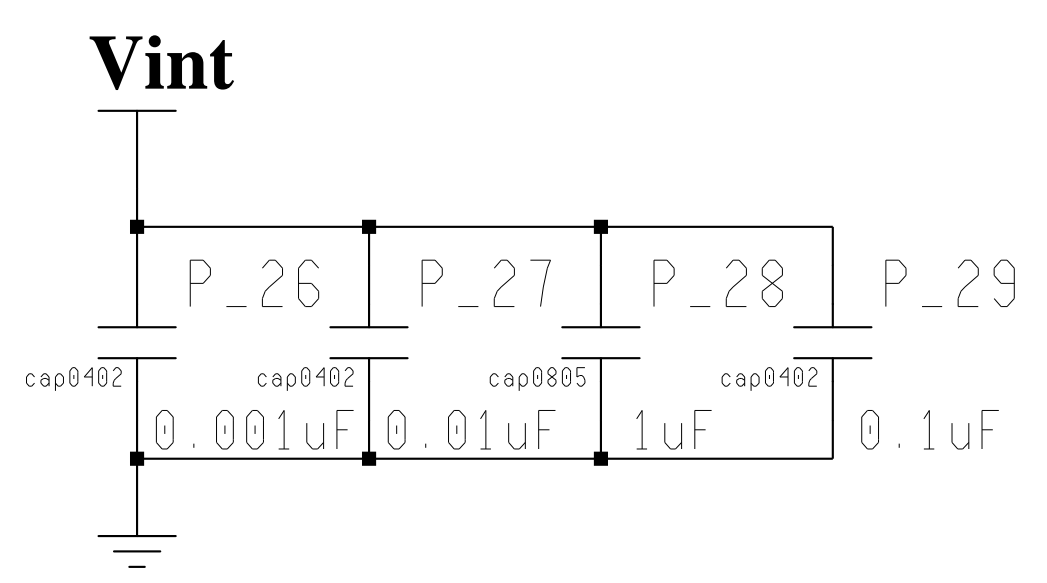
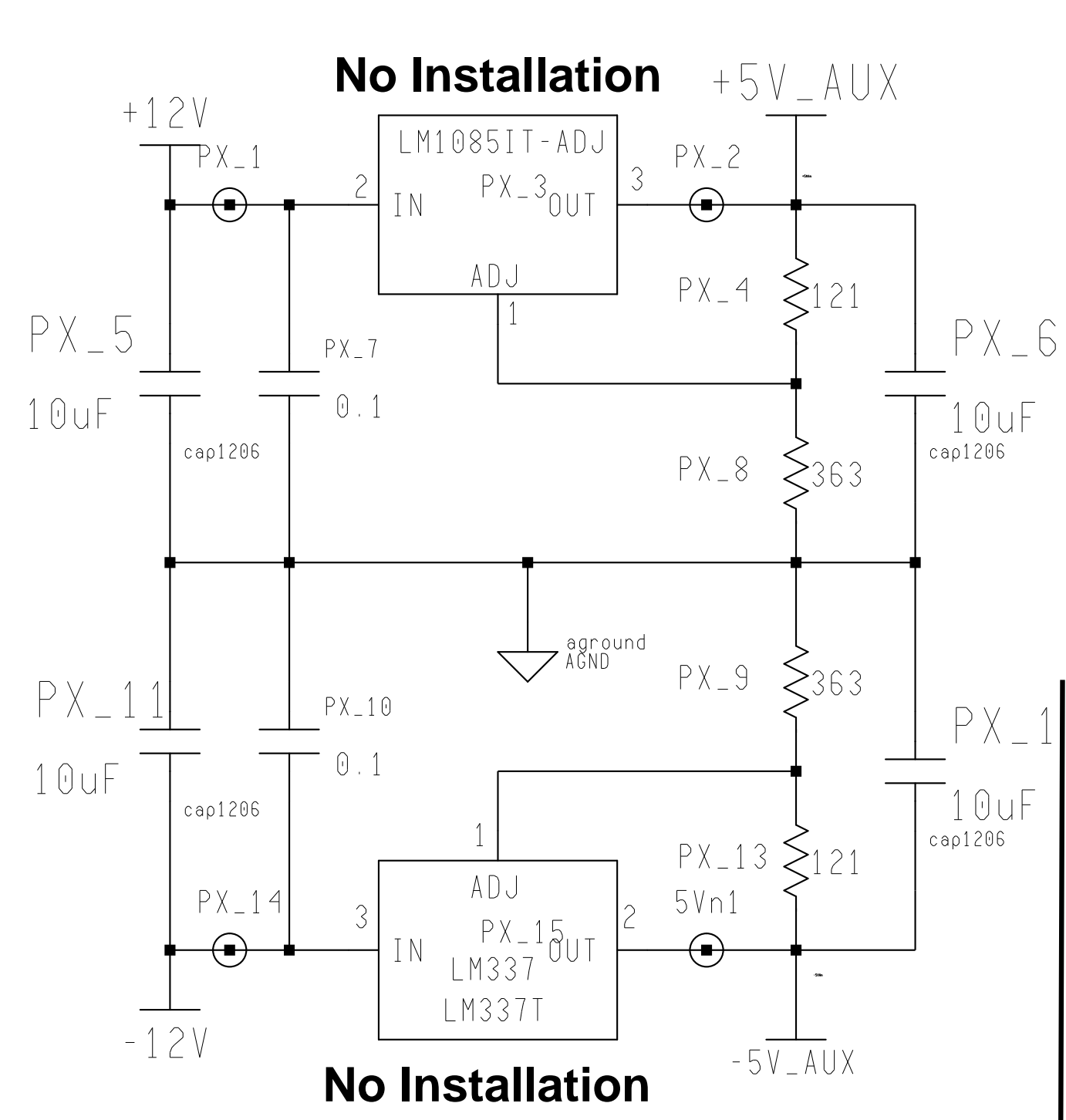
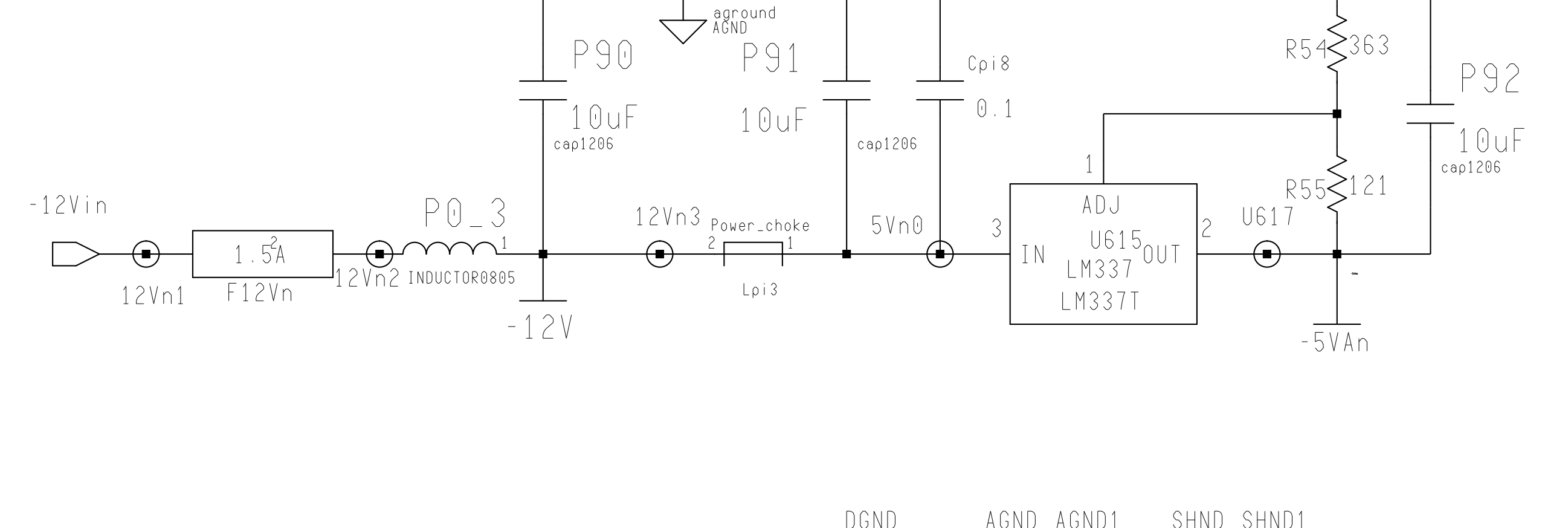
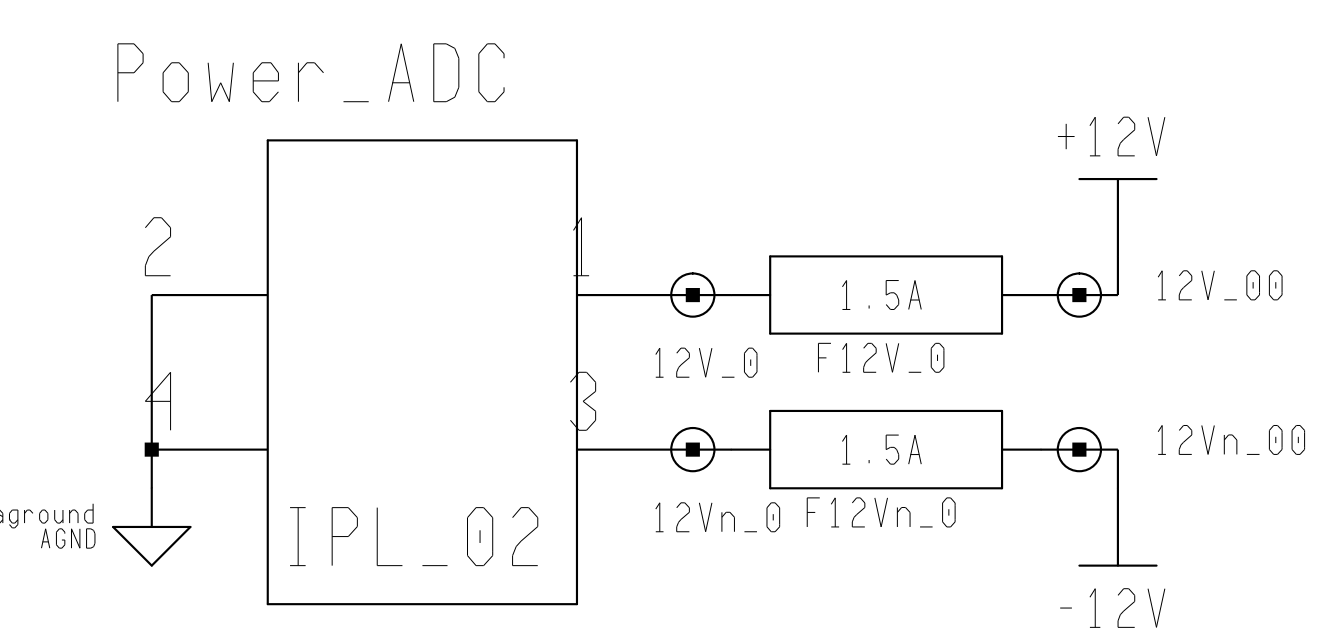


**Santec miniMATE
IPL1-102-01-F-D-RA-K**



Engineer: M. Bogdan	DAMIC - ODILE Module		
Drawn by: M. Bogdan			
DATE: 4/10/2019	Power		
SPC#2938 ASM#2939	REV. A	DRW. 2937	Sheet 5