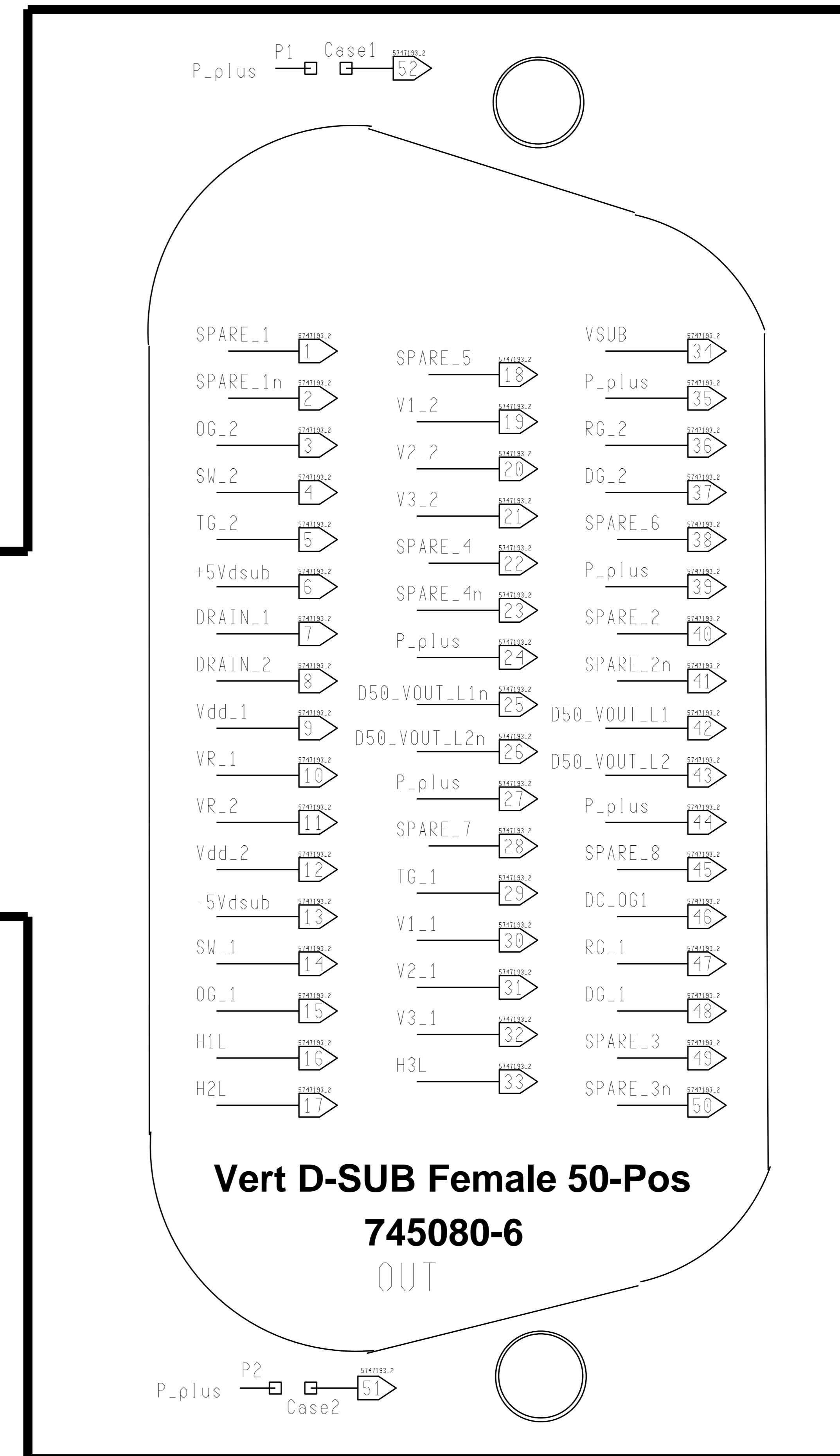
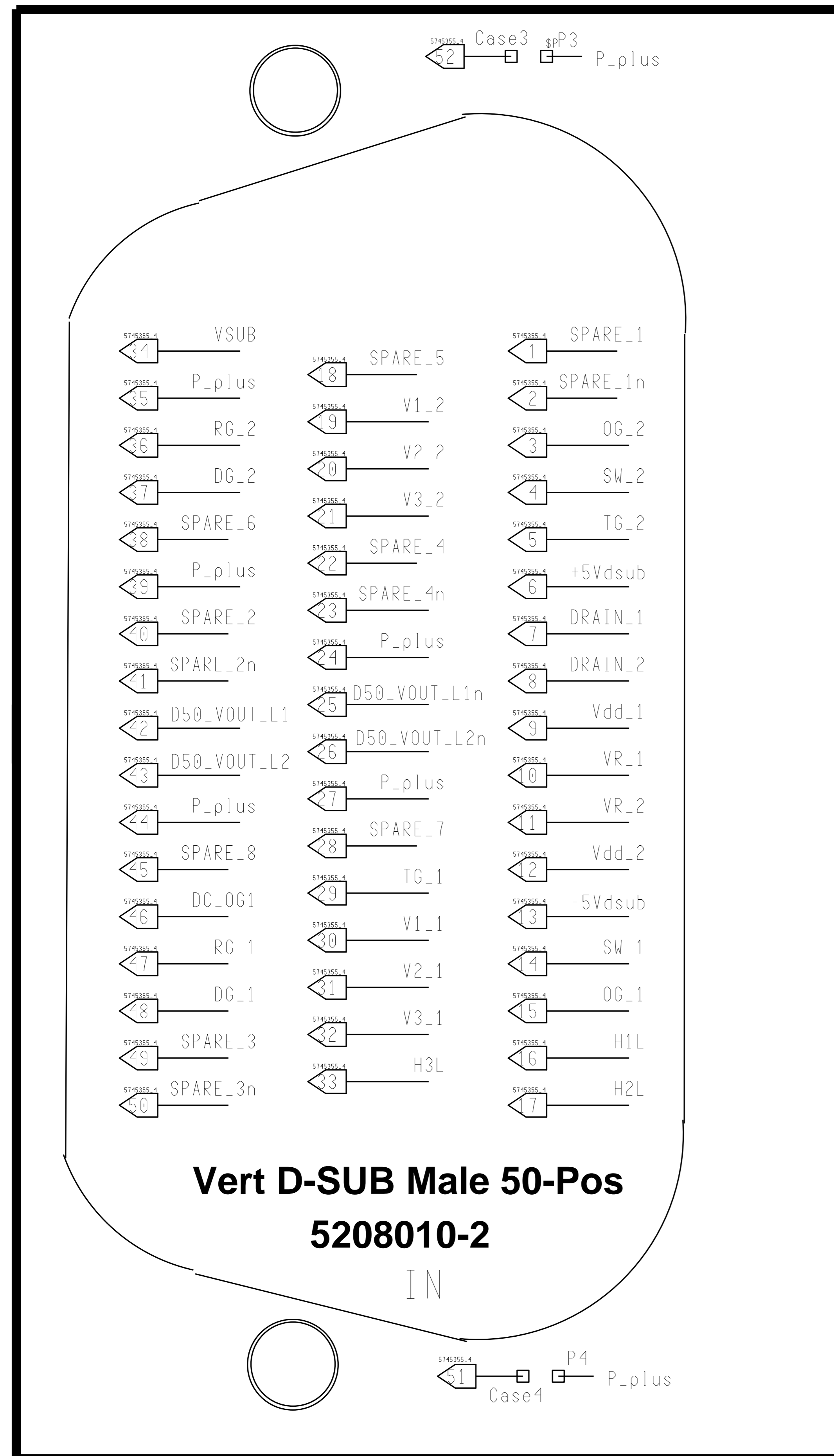


### Left Side of Flex to Intermediate Board



- Notes:**
1. Nets Vdd\_1, Vdd\_2, VR\_1, VR\_2, DRAIN\_1, DRAIN\_2, VSUB are 0.5Oz, 0.3mm Stripline
  2. Nets +5Vdsub, -5Vdsub are 0.5Oz, 1.5mm Stripline
  3. All other nets are 0.5Oz, 0.106mm, 50/100 Ohm Stripline

**Connector Position as Shown**

**SCH-2964  
SPC-2965  
ASM-2966**

Engineer:	M. Bogdan
Drawn by:	M. Bogdan
DATE:	9/5/2020

**The University of Chicago**  
5620 S. Ellis Ave. Chicago, IL 60637  
*6Kx6K CCD Flex Extension*