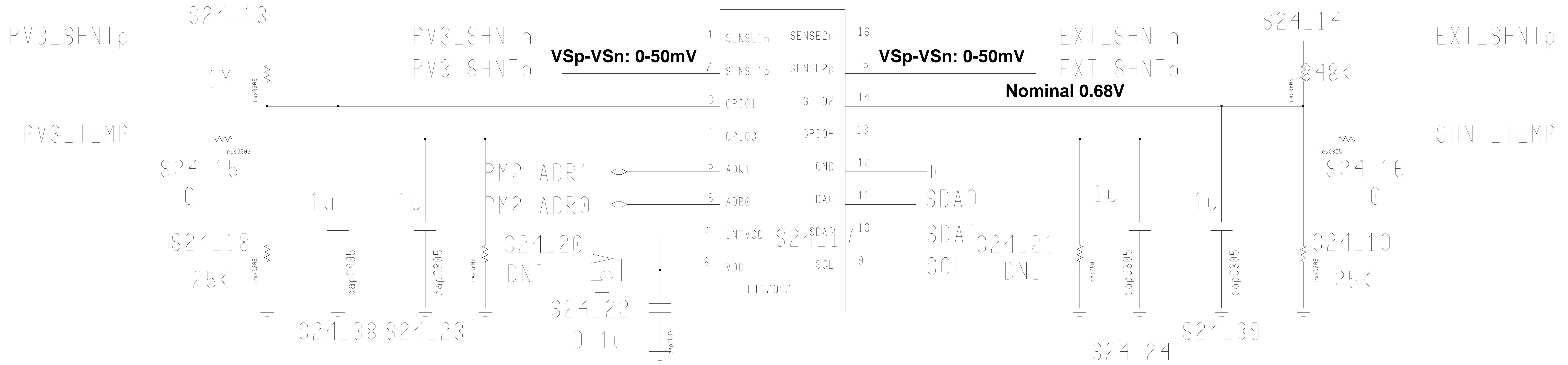
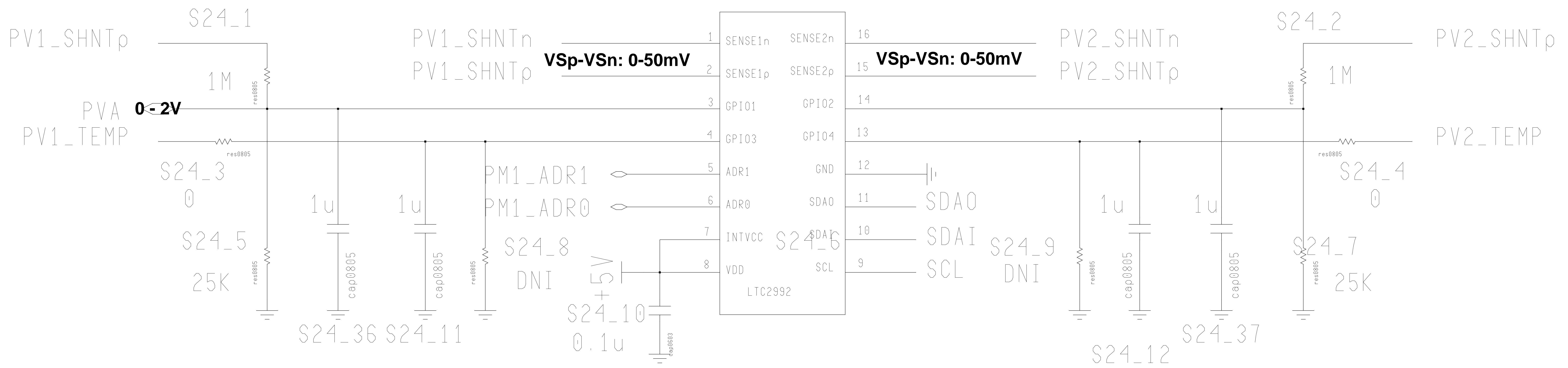
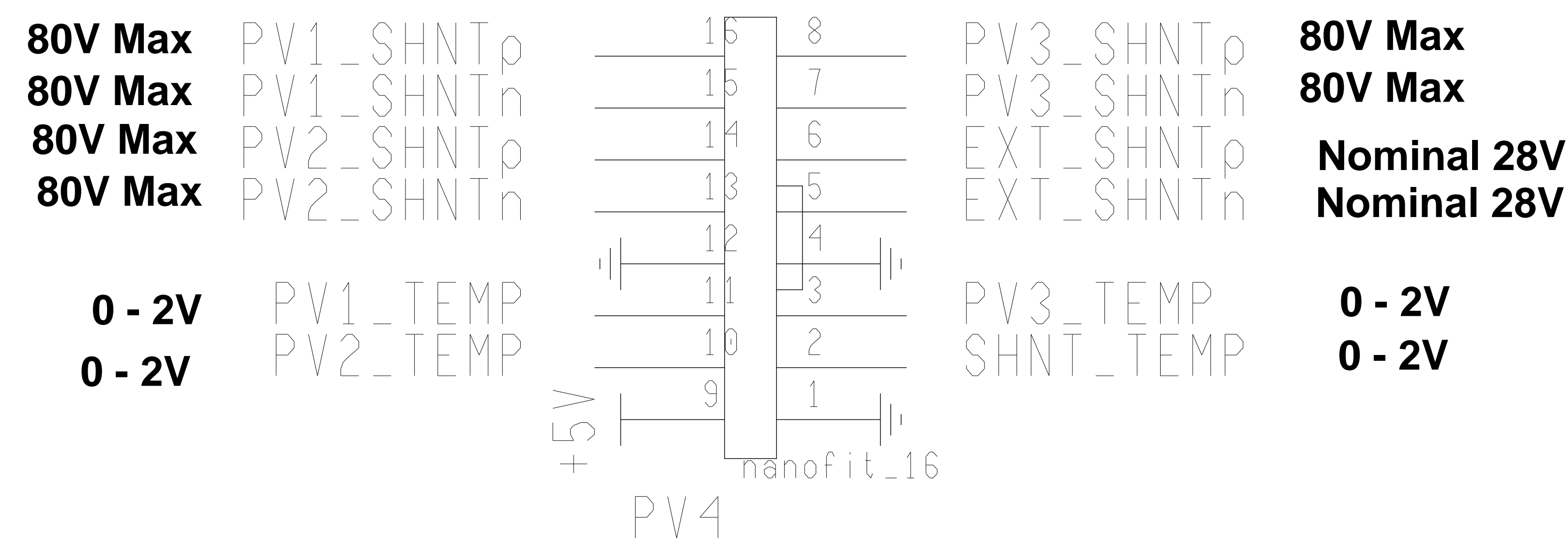


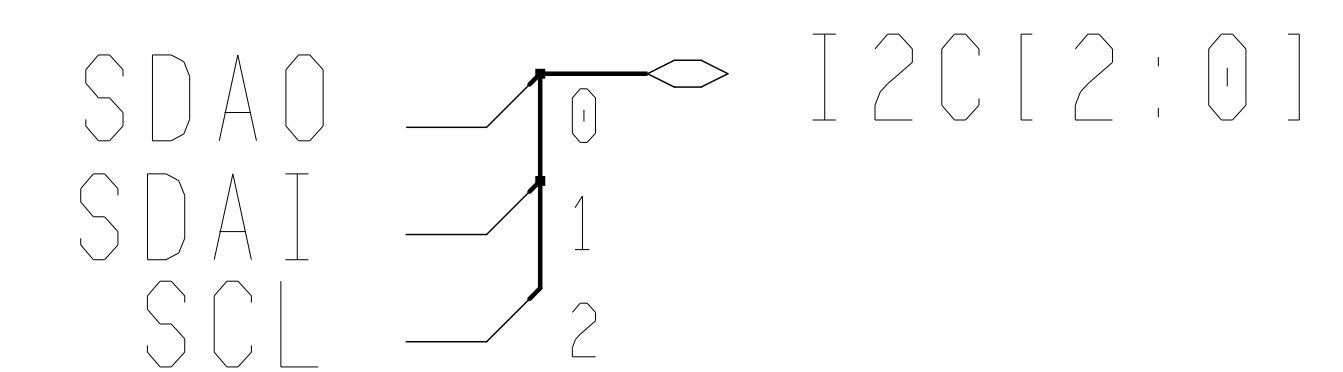
LTC2992HMS#PBF MSOP-16, -40C-125C



To OR/Shunt Block



**MOLEX nano-fit vert 16 pos
P/N 1053101216**



**SCH-2976
SPC-2977
ASM-2978**

Engineer: M. Bogdan	The University of Chicago <i>HELIX Monitor Board</i> Monitor - PV Array 1	
Drawn by: M. Bogdan		
DATE: 8/5/2021		
REV. A	DRW. 2976	Sheet 2_4