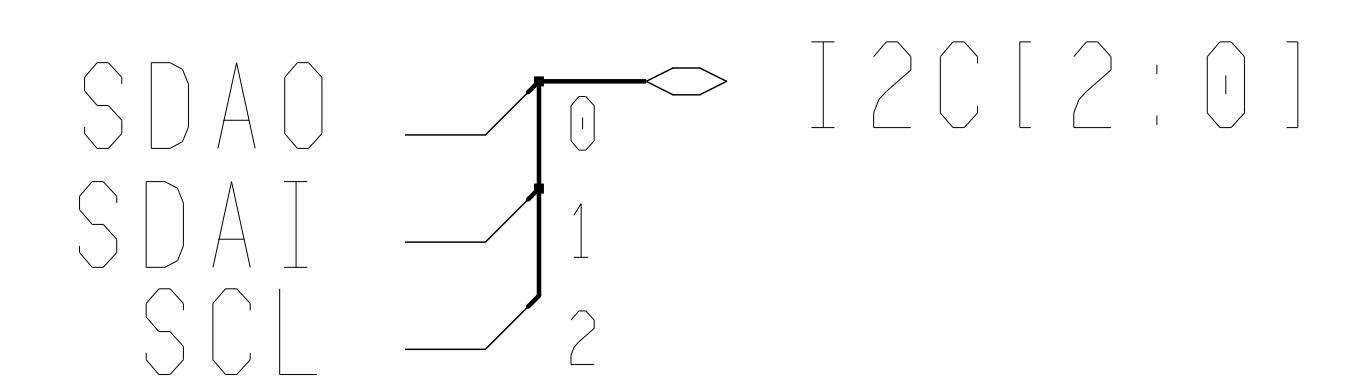
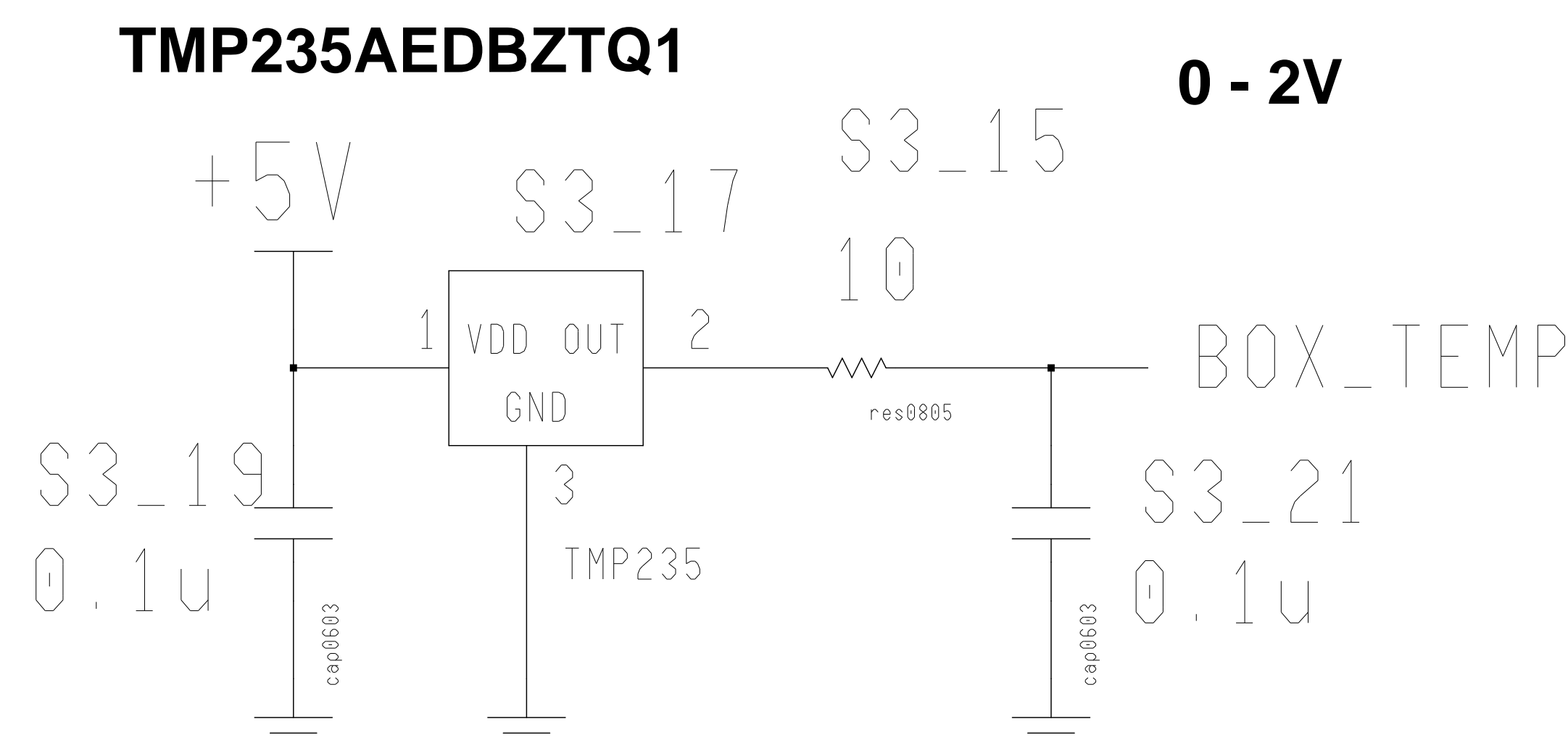
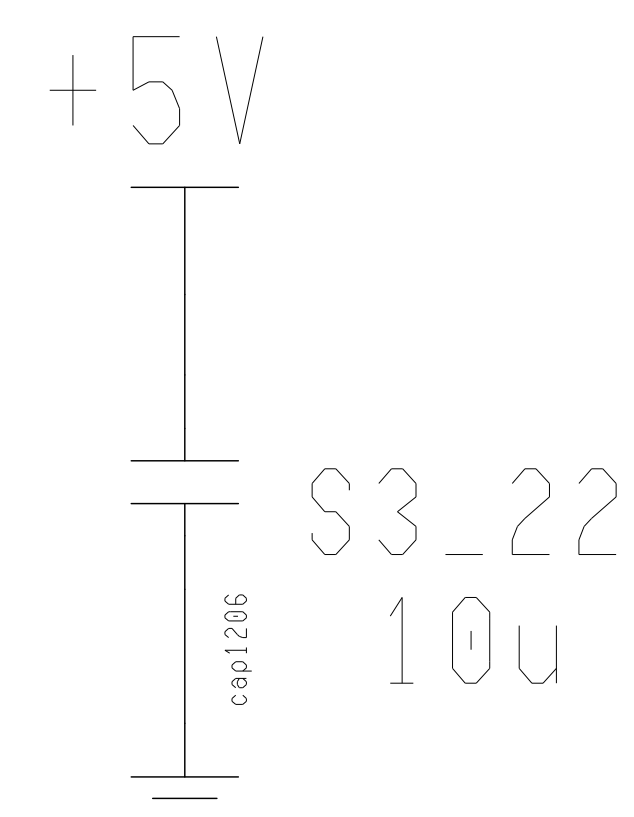
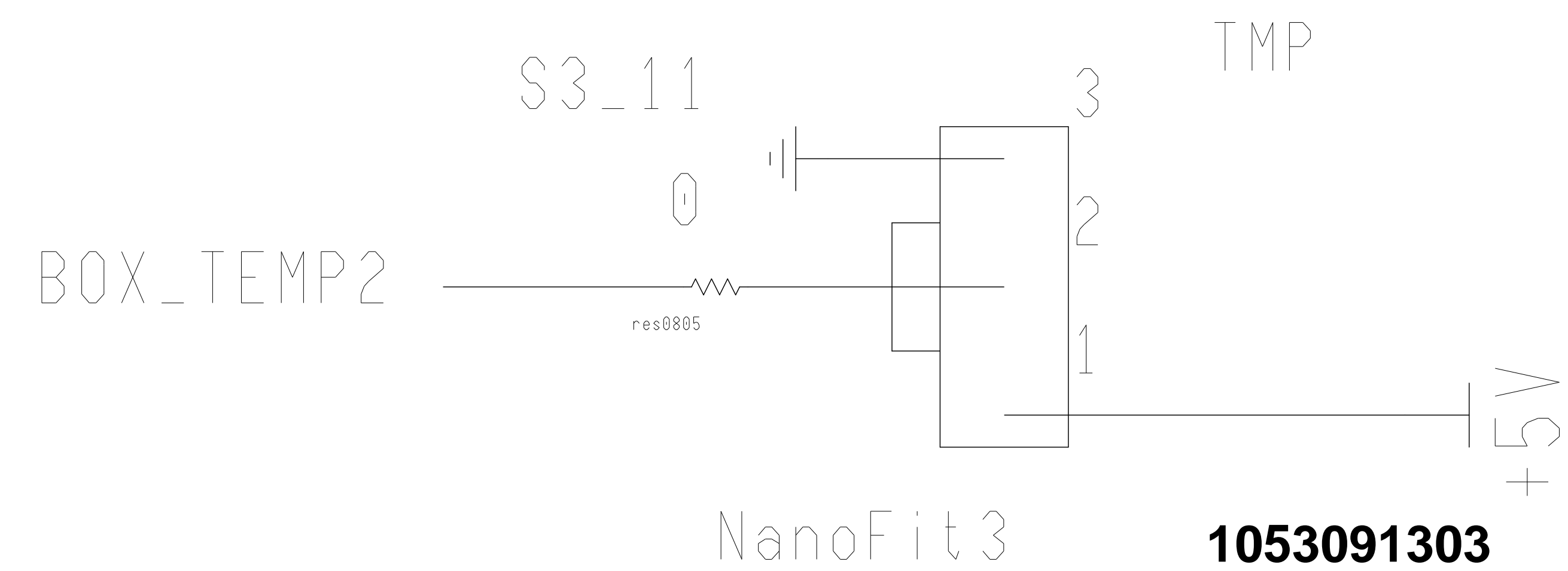


**Molex Nano-fit 105310-xx06
To Shunt + Mechanical Switch Board**



**SCH-2976
SPC-2977
ASM-2978**

Engineer: M. Bogdan	The University of Chicago HELIX Monitor Board Battery Shunt Monitor Block	
Drawn by: M. Bogdan		
DATE: 8/4/2021		
REV. A	DRW. 2976	Sheet 3