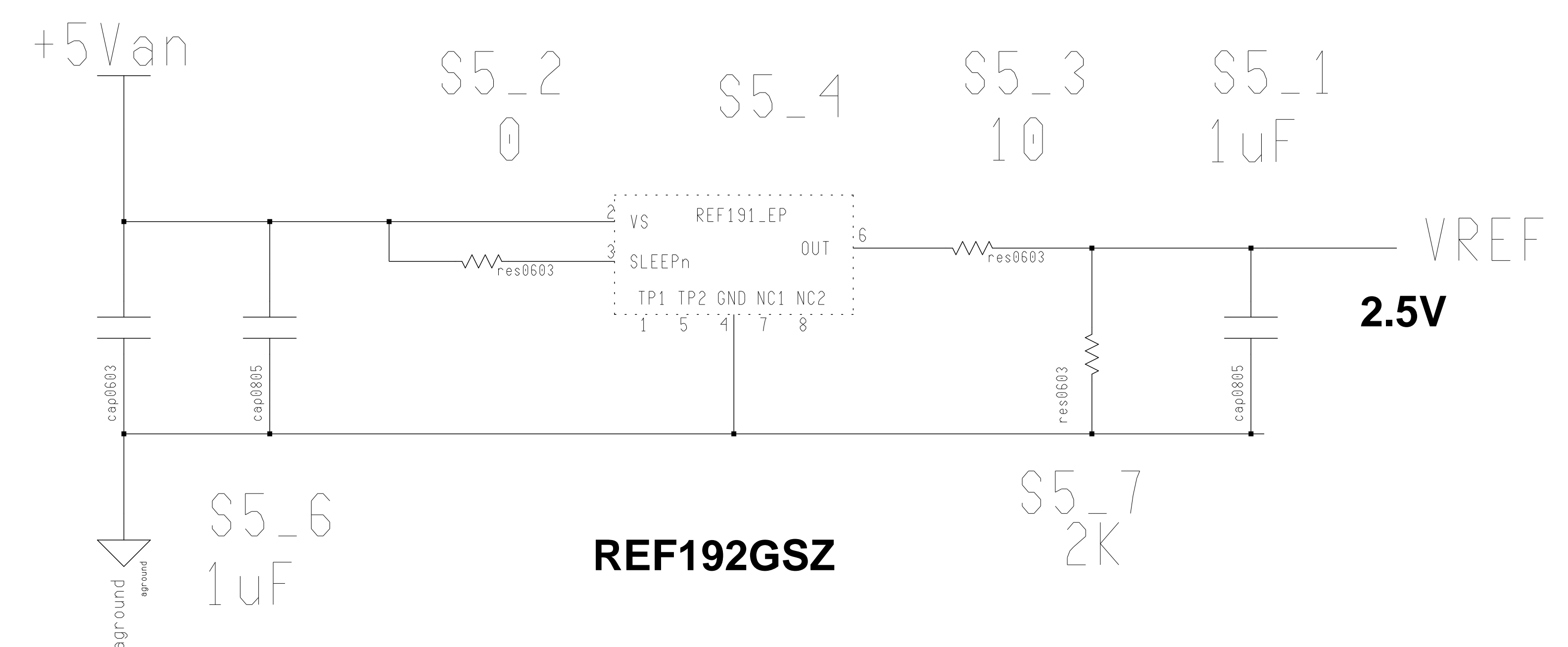
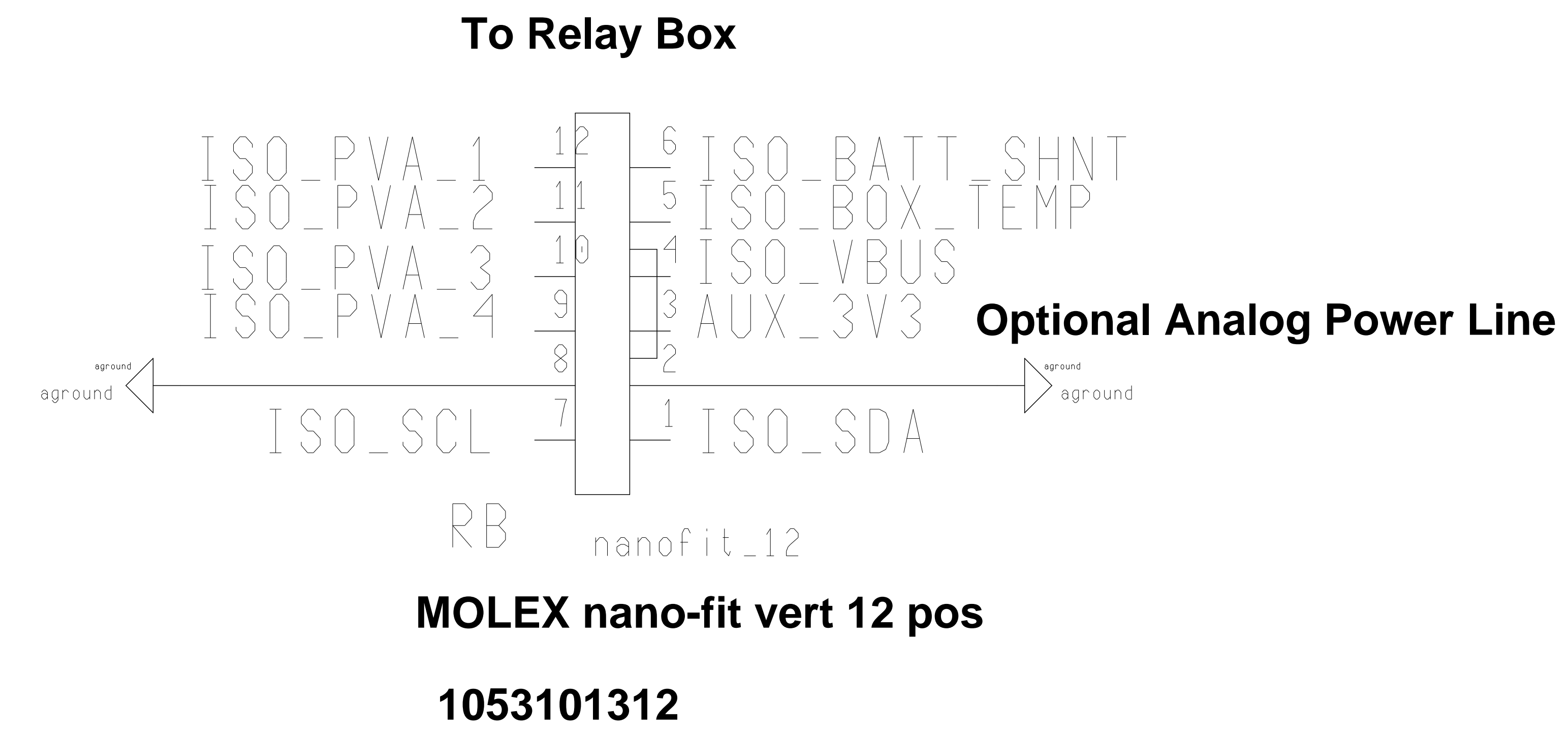
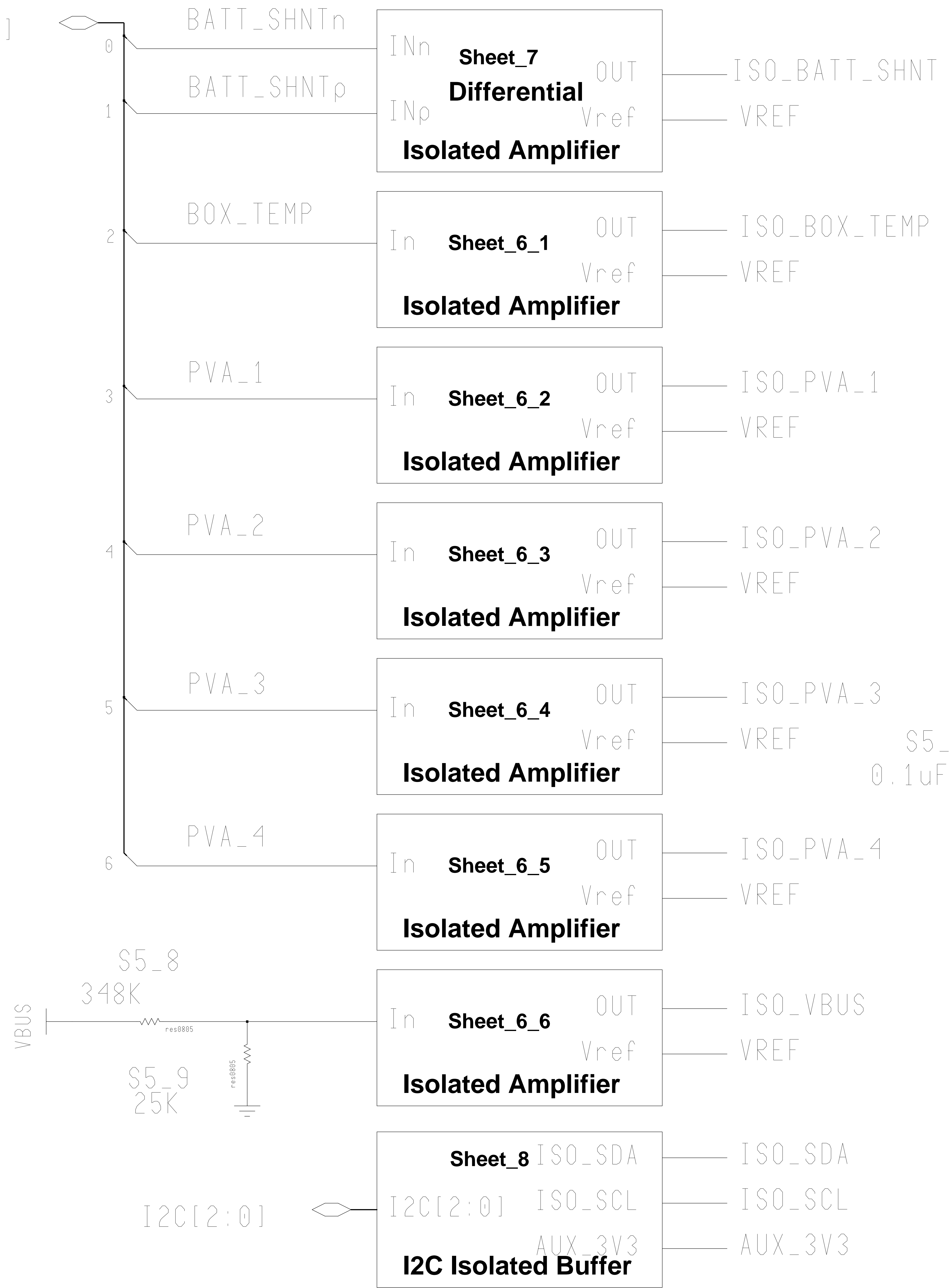


PVA[6:0]



SCH-2976
 SPC-2977
 ASM-2978

Engineer: M. Bogdan	The University of Chicago HELIX Monitor Board Power Monitor Block	
Drawn by: M. Bogdan		
DATE: 8/5/2021		
REV. A	DRW. 2976	Sheet 5