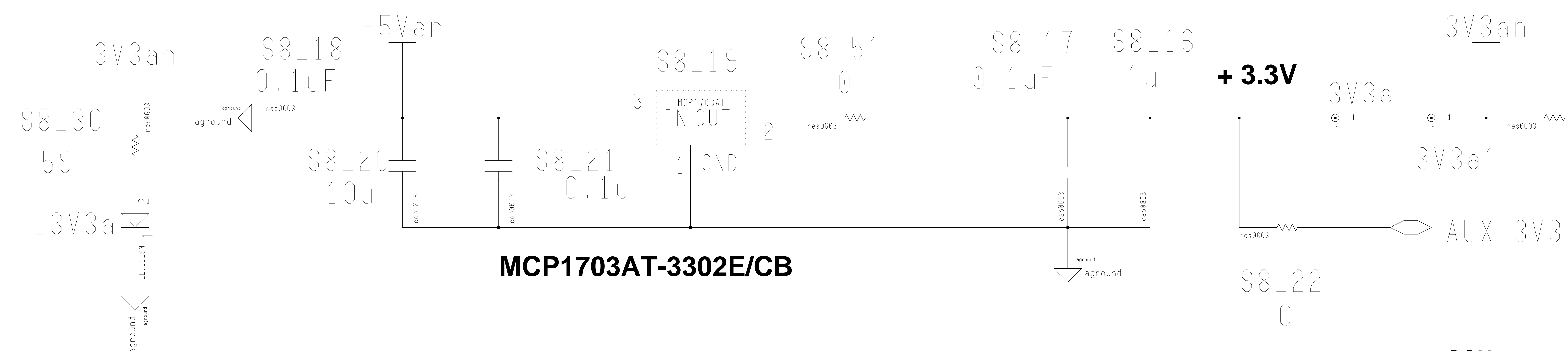
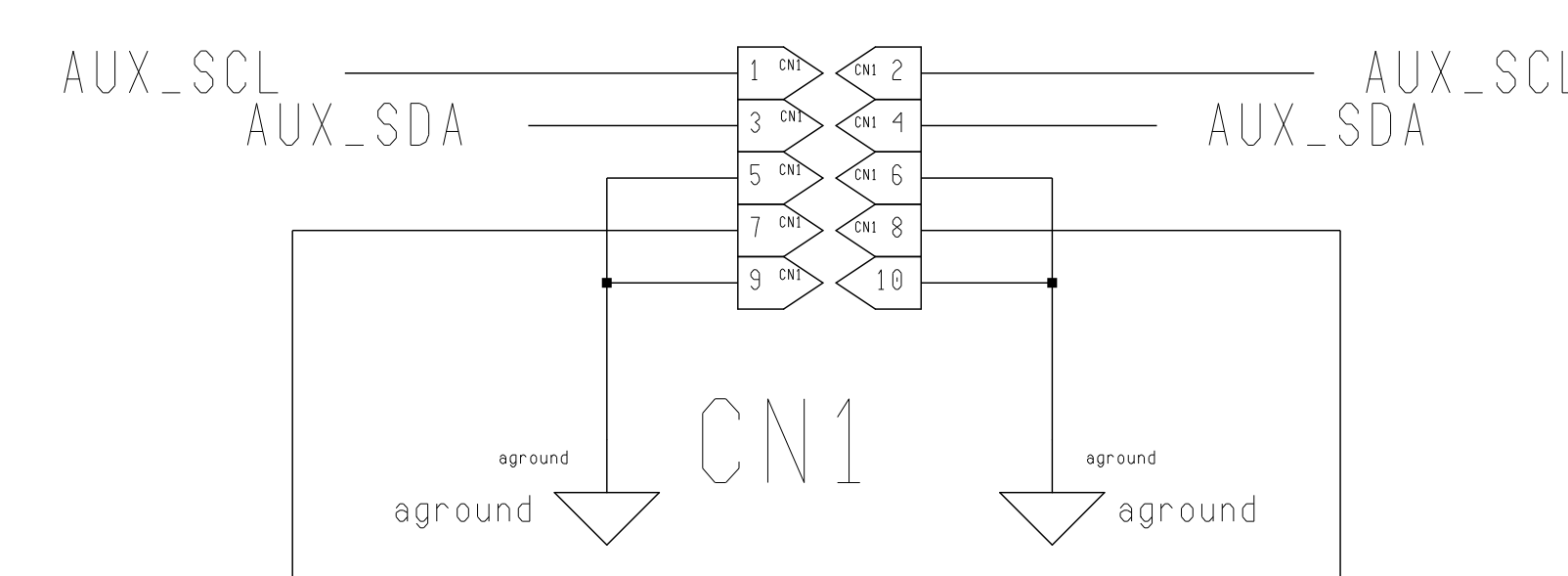


**Aux Header
For I2C to USB Dongle**



MCP1703AT-3302E/CB

**SCH-2976
SPC-2977
ASM-2978**

Engineer: **M. Bogdan**
 Drawn by: **M. Bogdan**
 DATE: **1/27/2021**

The University of Chicago
HELIX Monitor Board
I2C Isolated Buffer
 REV. A | DRW. **2976** | Sheet **8**