

# To Monitor Board

4 pieces  
**Würth RedCube  
 THR 74650074**

**IXYS  
 DSS2x61-01A**

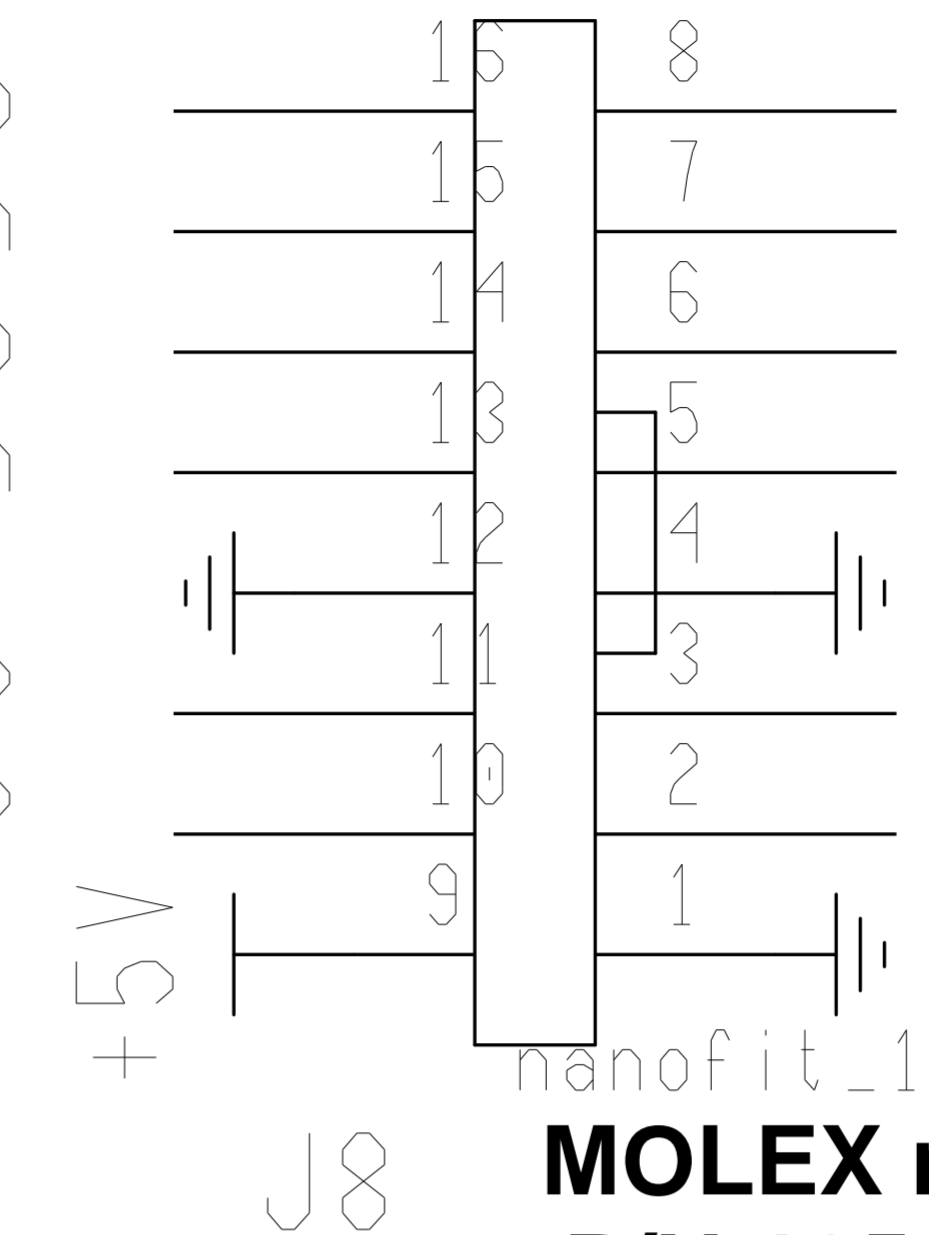
**WSL3675L000DEA  
 RES 0.005 OHM 0.5% 3W 3637**

80V Max  
 80V Max  
 80V Max  
 80V Max

0 - 2V  
 0 - 2V

PV1\_SHNTp  
 PV1\_SHNTn  
 PV2\_SHNTp  
 PV2\_SHNTn

PV1\_TEMP  
 PV2\_TEMP

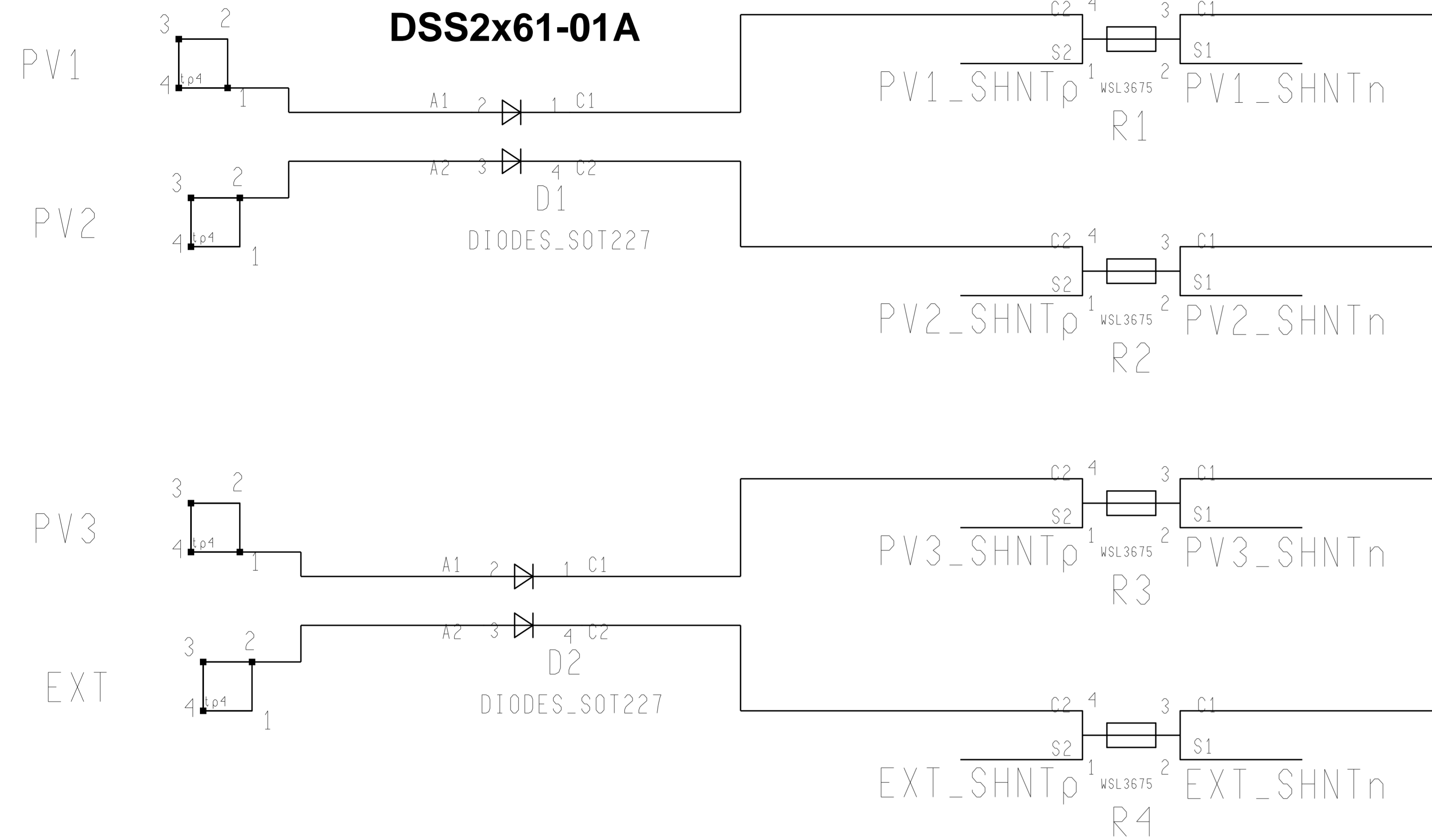


PV3\_SHNTp  
 PV3\_SHNTn  
 EXT\_SHNTp  
 EXT\_SHNTn

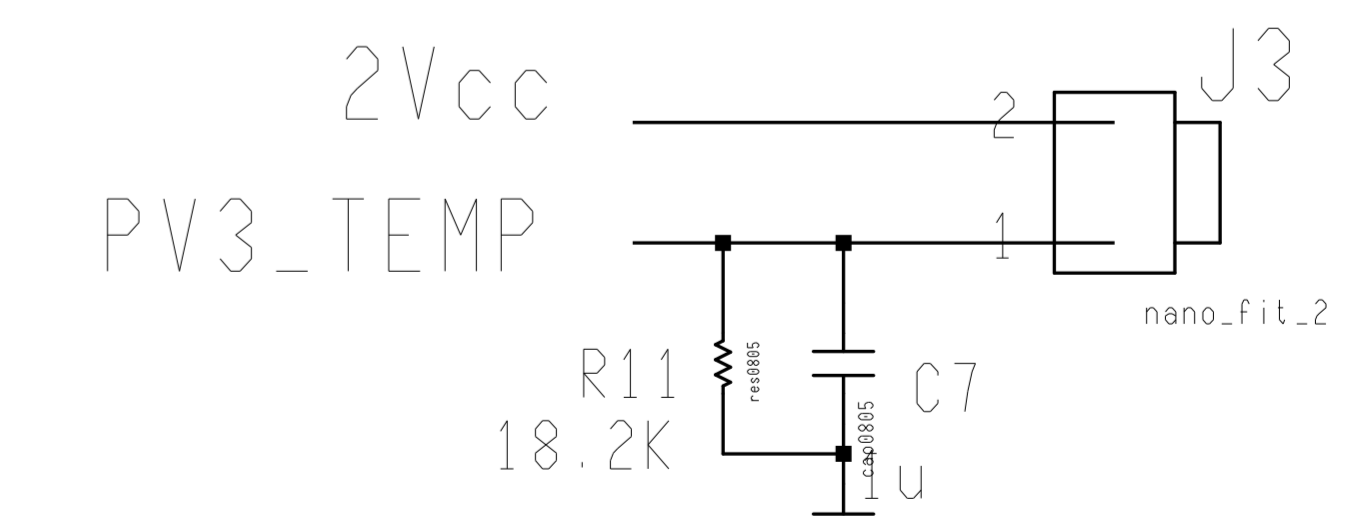
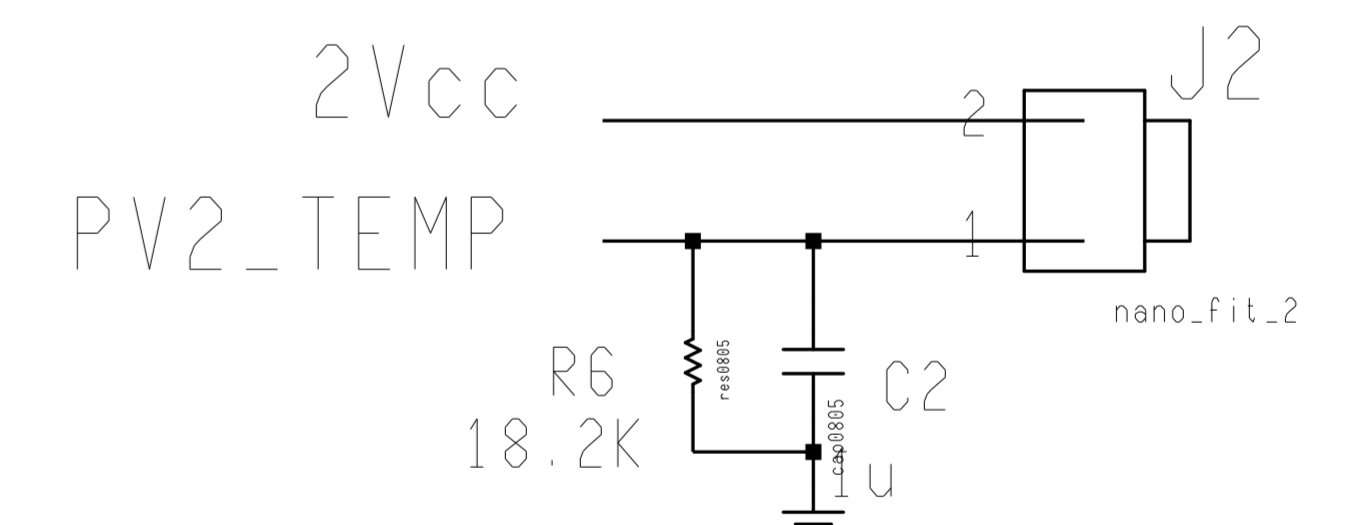
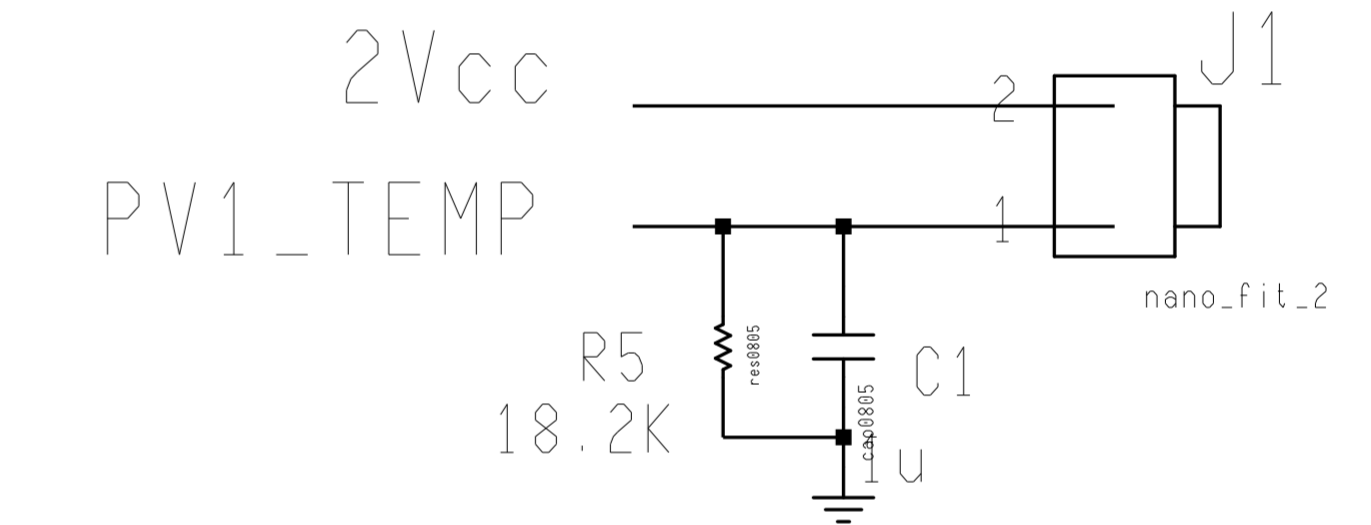
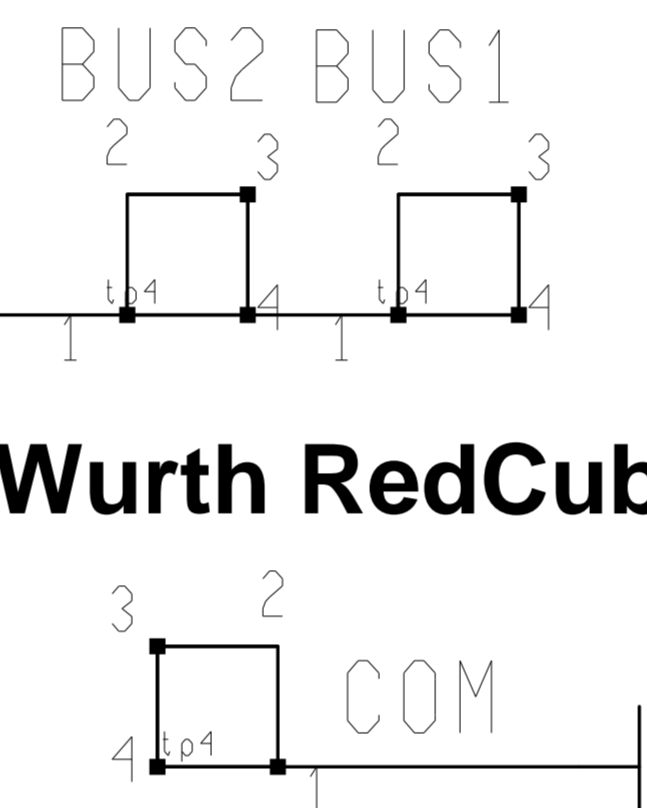
80V Max  
 80V Max  
 Nominal 28V  
 Nominal 28V

0 - 2V  
 0 - 2V

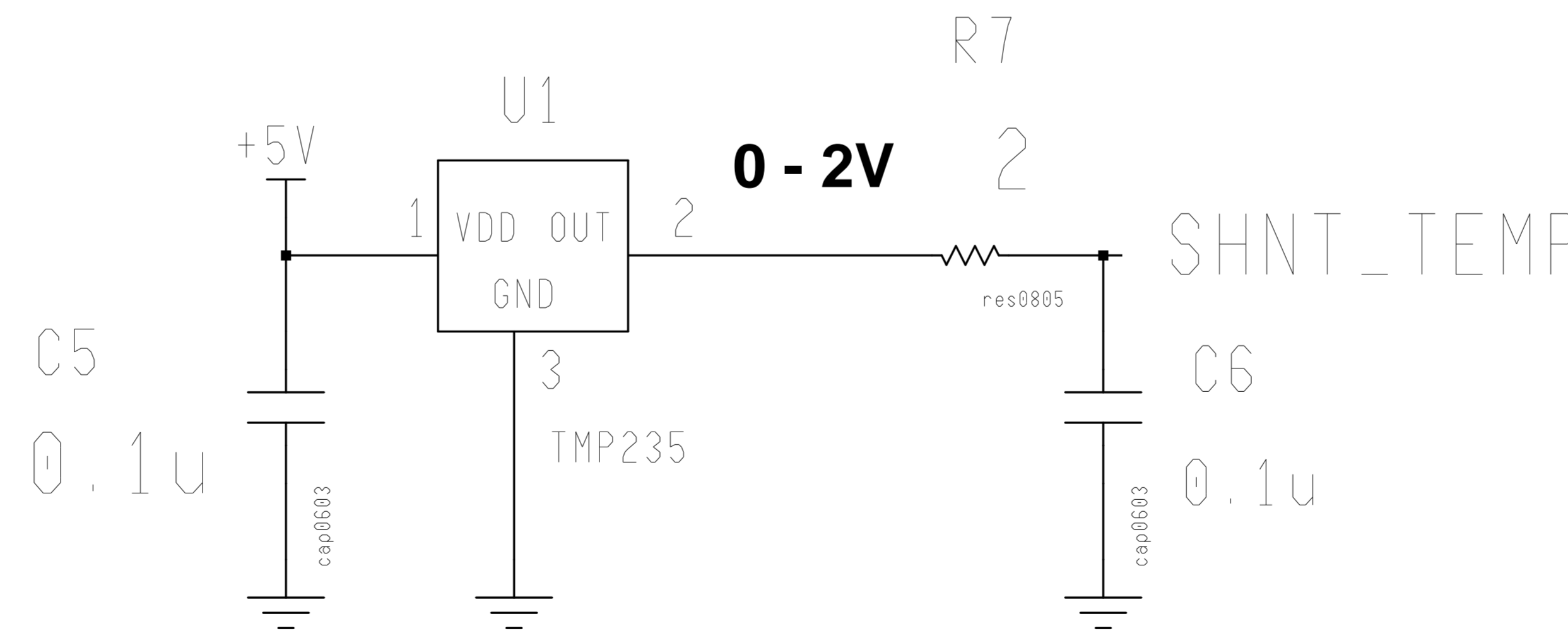
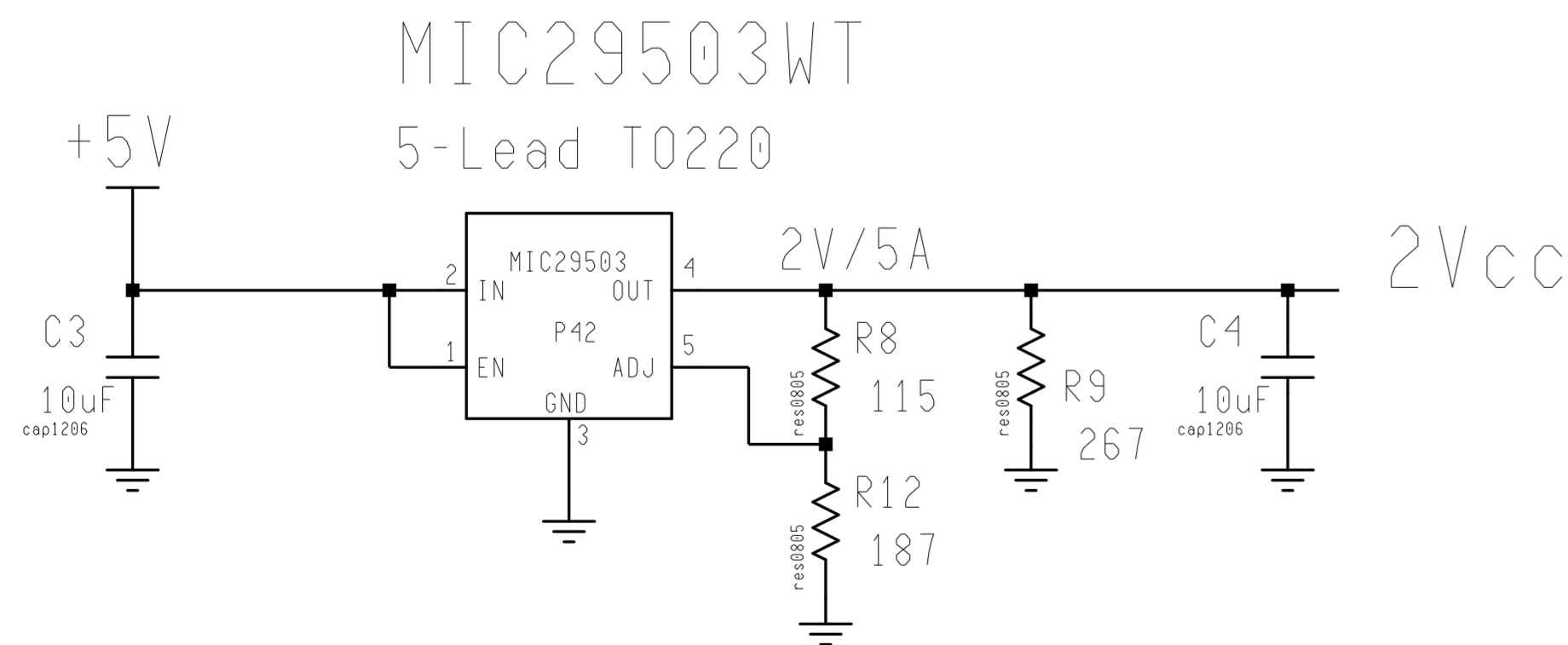
**MOLEX nano-fit vert 16 pos  
 P/N 1053101216**



**Würth RedCube-THR 74650074  
 3 pieces**



**MOLEX nano-fit vert 2 pos  
 P/N 1053111302 3 pieces**



**TMP235AEDBZTQ1**

**SCH-2994  
 SPC-2995  
 ASM-2996**

Engineer: <b>M. Bogdan</b>	<b>The University of Chicago</b> 5620 S. Ellis Ave. Chicago, IL 60637 <i>HELIX - OR/Shunt Module</i>	
Drawn by: <b>M. Bogdan</b>		
DATE: <b>4/9/2021</b>		
REV. A	DRW. <b>2994</b>	Sheet 1 of 1