

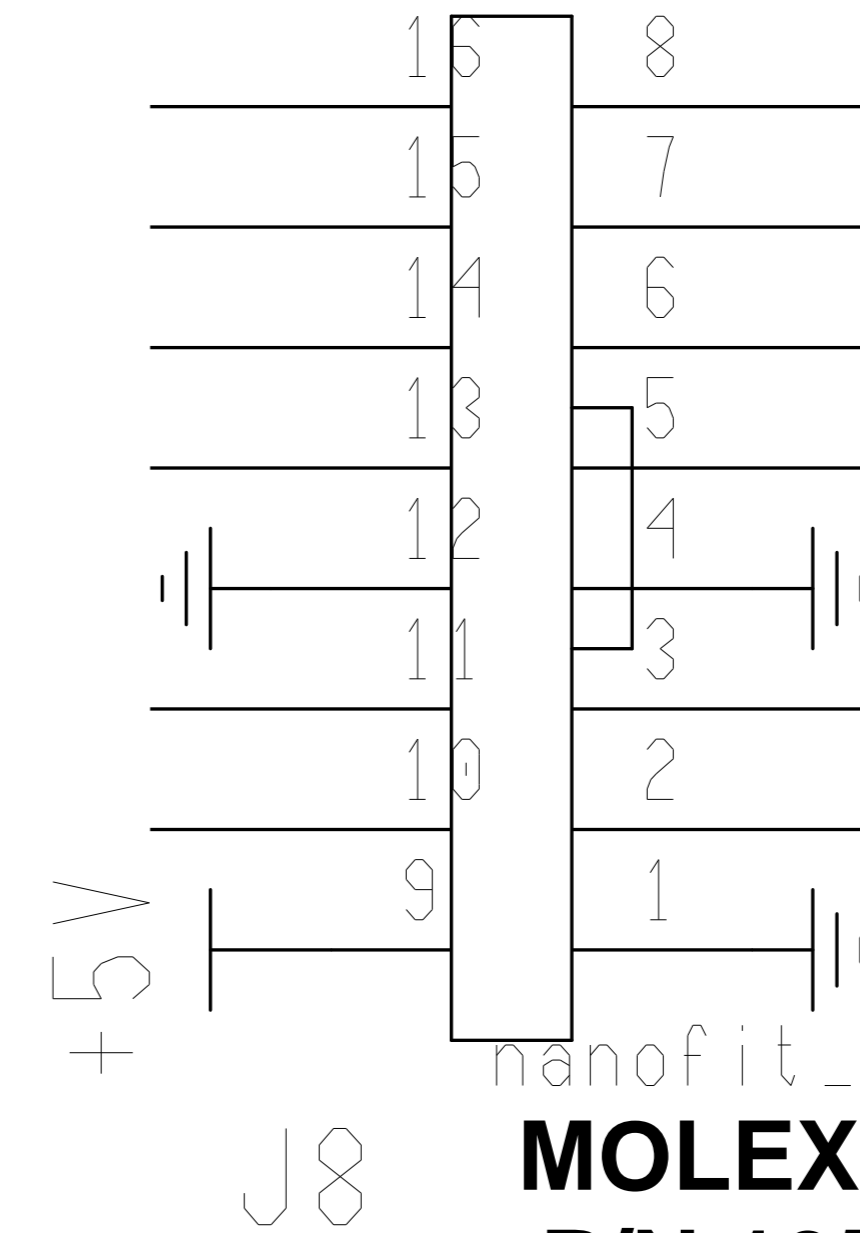
# To Monitor Board

4 pieces  
**Würth RedCube**  
**THR 74650074**  
**WSL3675L000DEA**  
**RES 0.005 OHM 0.5% 3W 3637**

**IXYS**  
**DSS2x61-01A**

**80V Max**  
**80V Max**  
**80V Max**  
**80V Max**

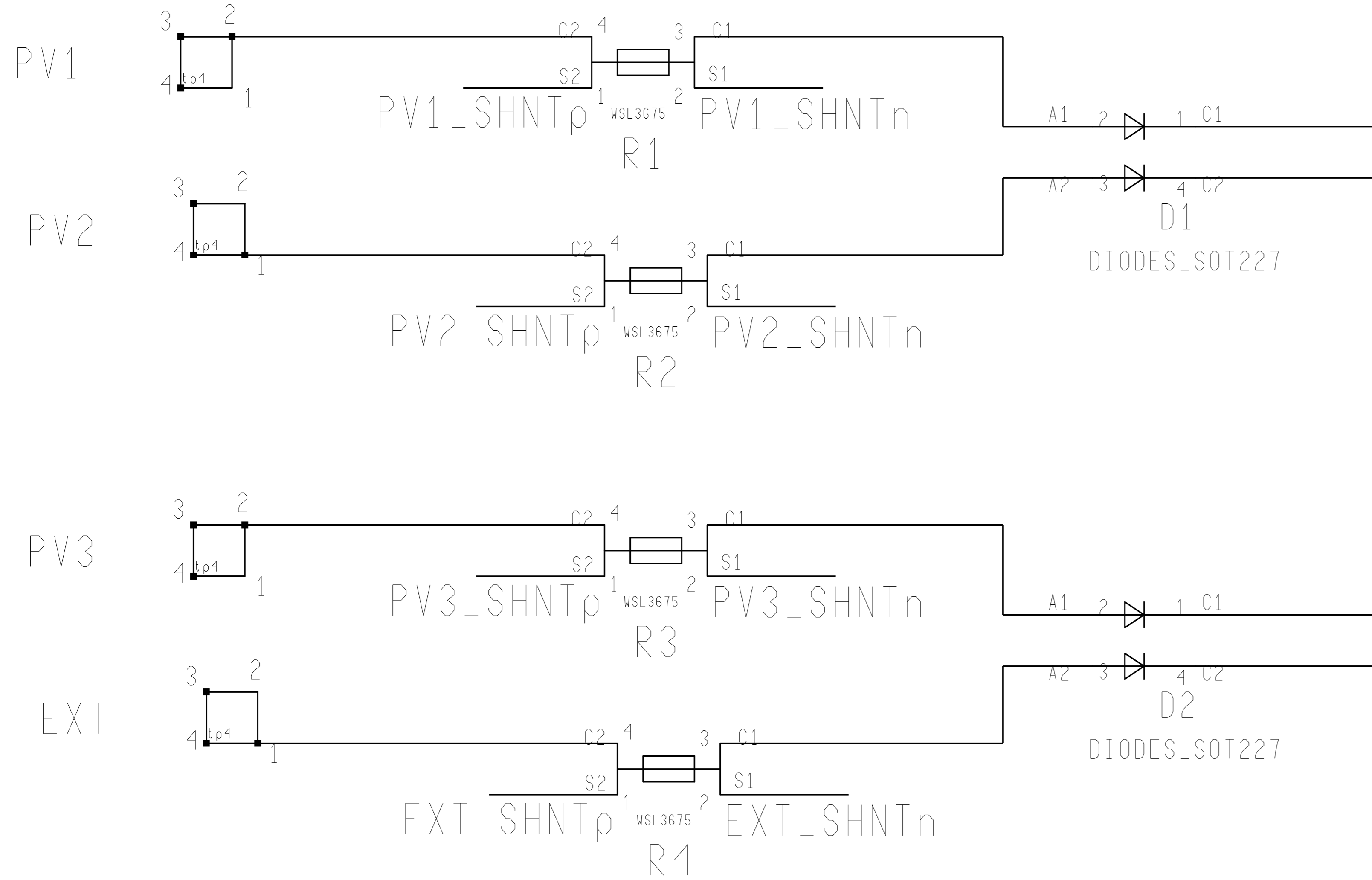
PV1\_SHNTp  
 PV1\_SHNTn  
 PV2\_SHNTp  
 PV2\_SHNTn



PV3\_SHNTp  
 PV3\_SHNTn  
 EXT\_SHNTp  
 EXT\_SHNTn  
 PV1\_TEMP  
 PV2\_TEMP  
 PV3\_TEMP  
 SHNT\_TEMP

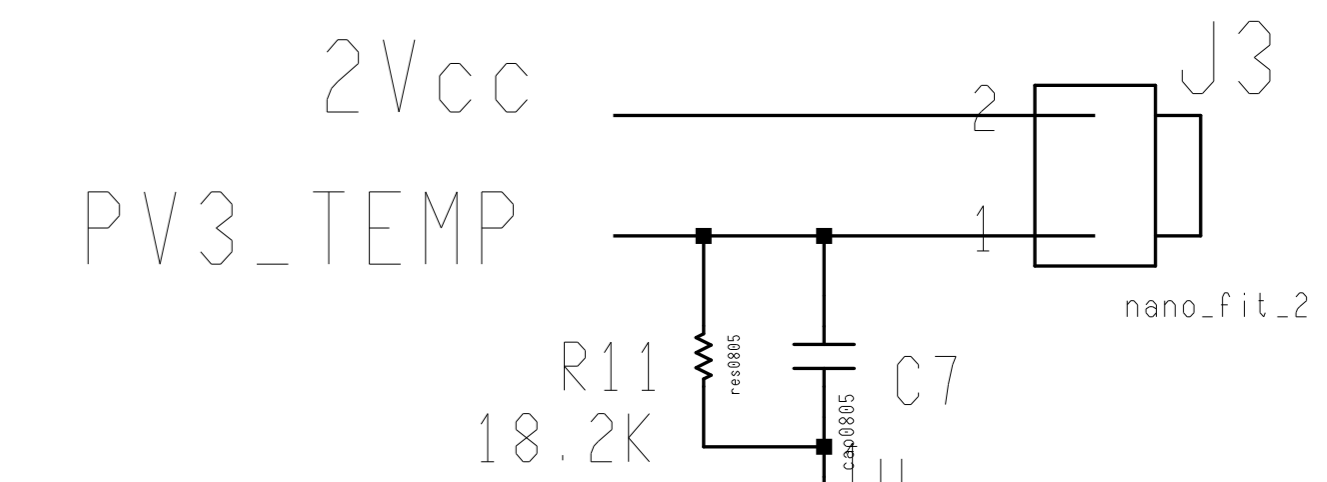
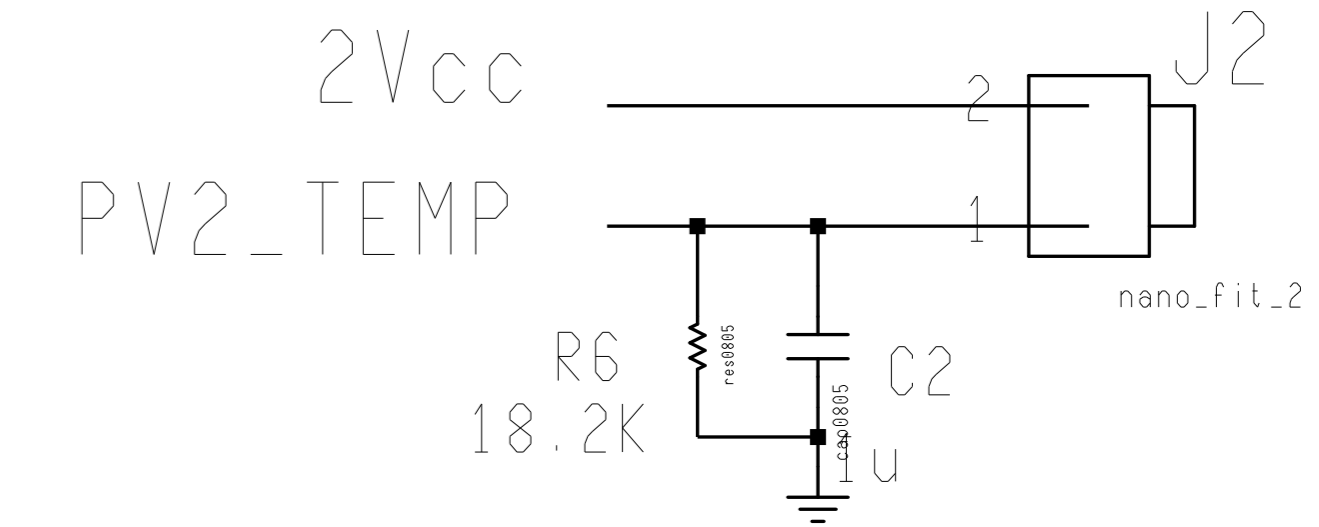
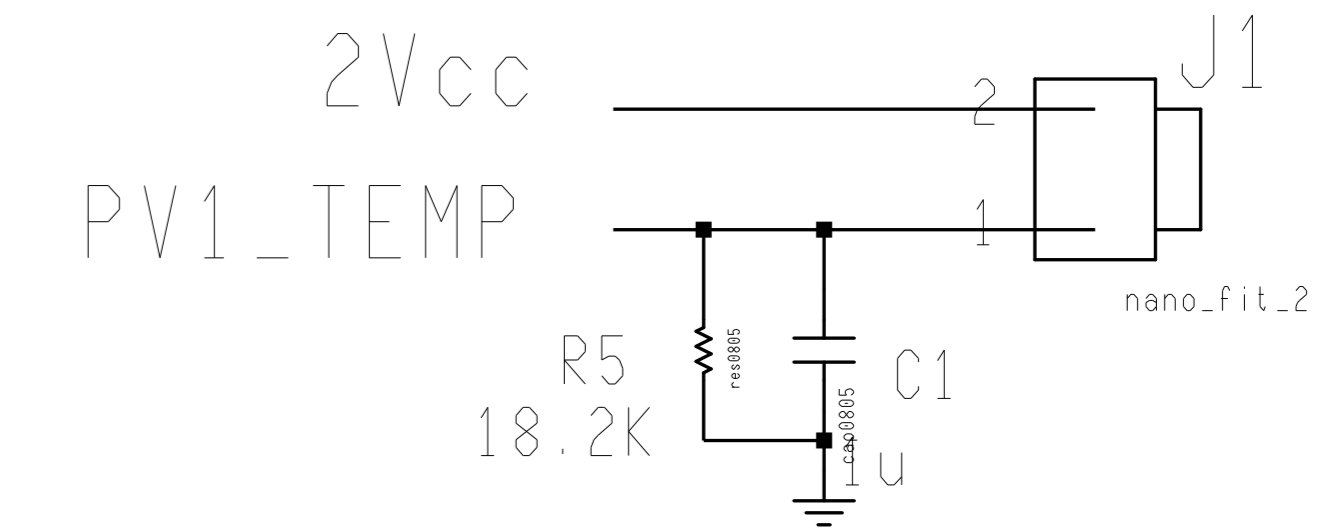
**80V Max**  
**80V Max**  
**Nominal 28V**  
**Nominal 28V**  
**0 - 2V**  
**0 - 2V**

**MOLEX nano-fit vert 16 pos**  
**P/N 1053101216**

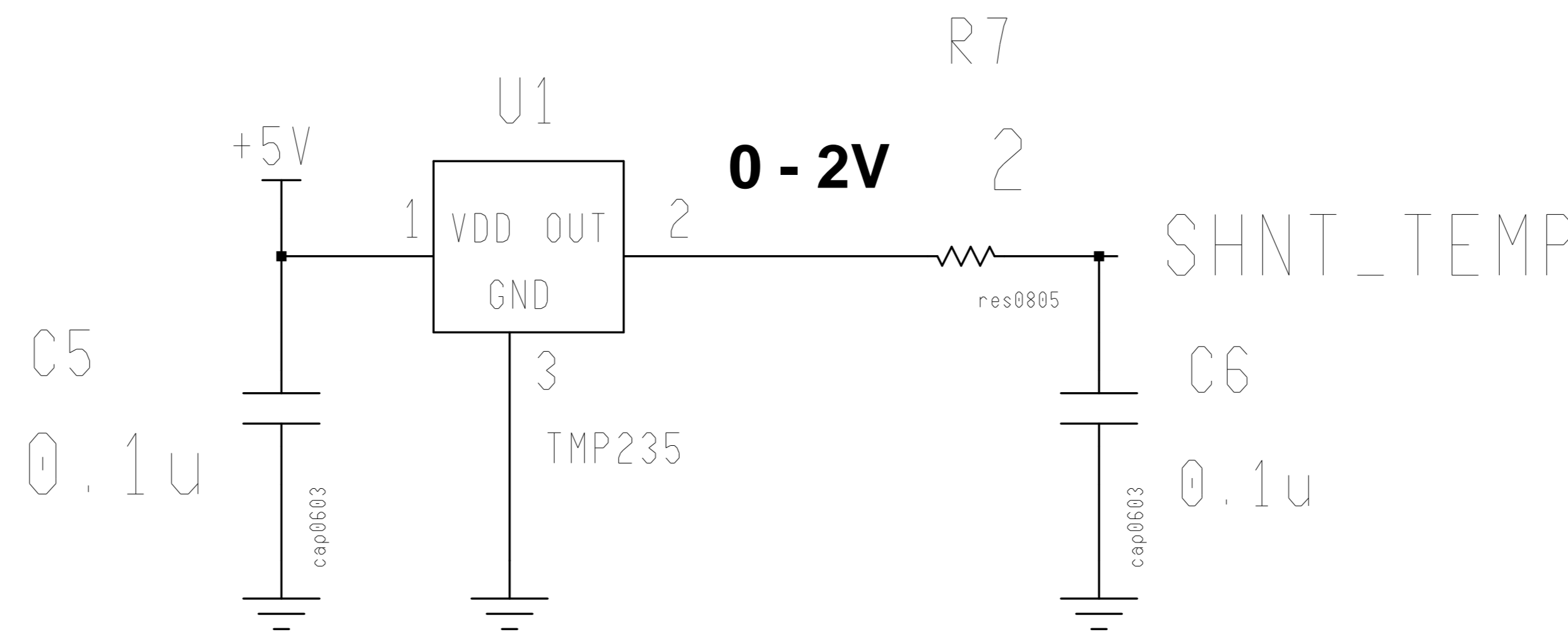
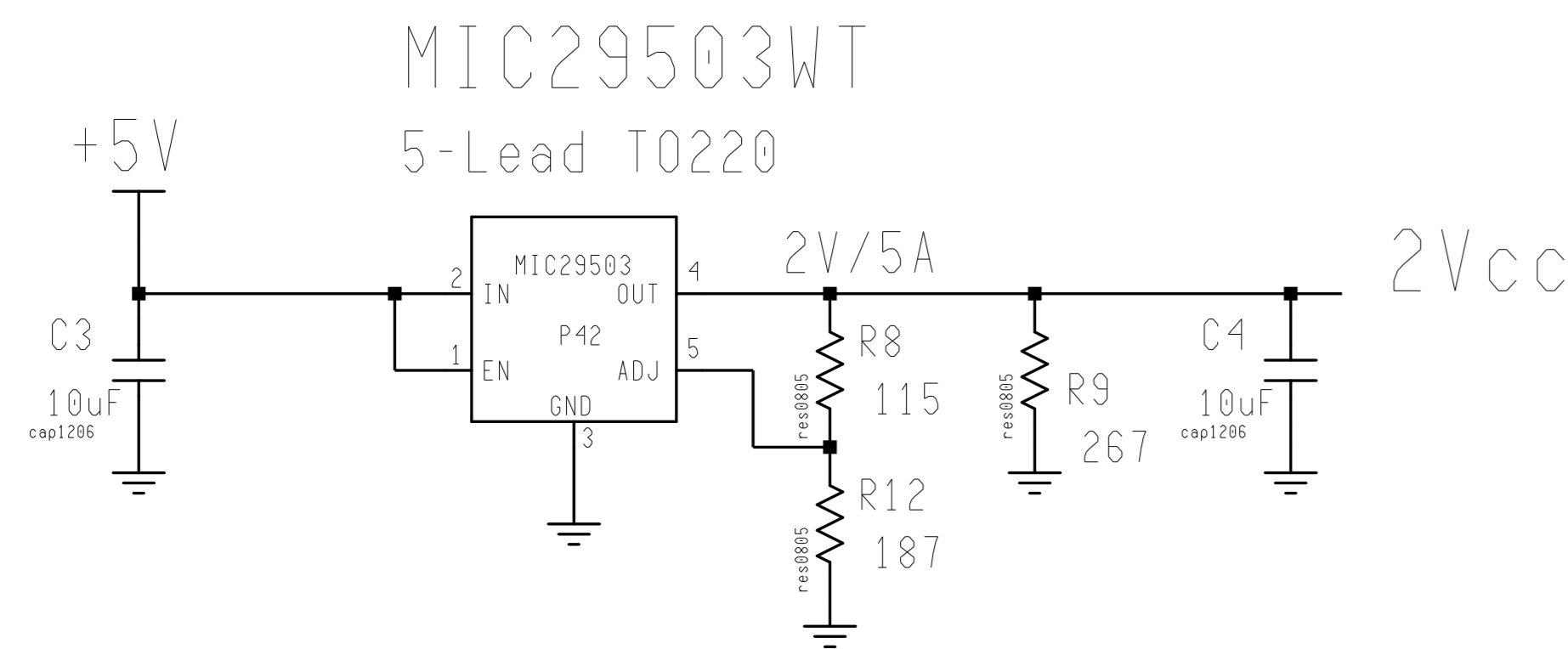


**0 - 2V**  
**0 - 2V**

**Würth RedCube-THR 74650074**  
**3 pieces**



**MOLEX nano-fit vert 2 pos**  
**P/N 1053111302 3 pieces**



**TMP235AEDBZTQ1**

**SCH-2994**  
**SPC-2995**  
**ASM-2996**

Engineer: **M. Bogdan**  
 Drawn by: **M. Bogdan**  
 DATE: **10/15/2021**

**The University of Chicago**  
 5620 S. Ellis Ave. Chicago, IL 60637  
**HELIX - OR/Shunt Module**