

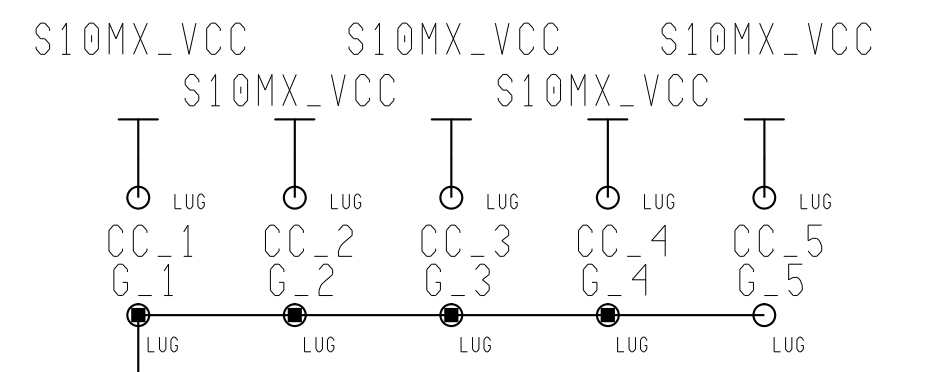
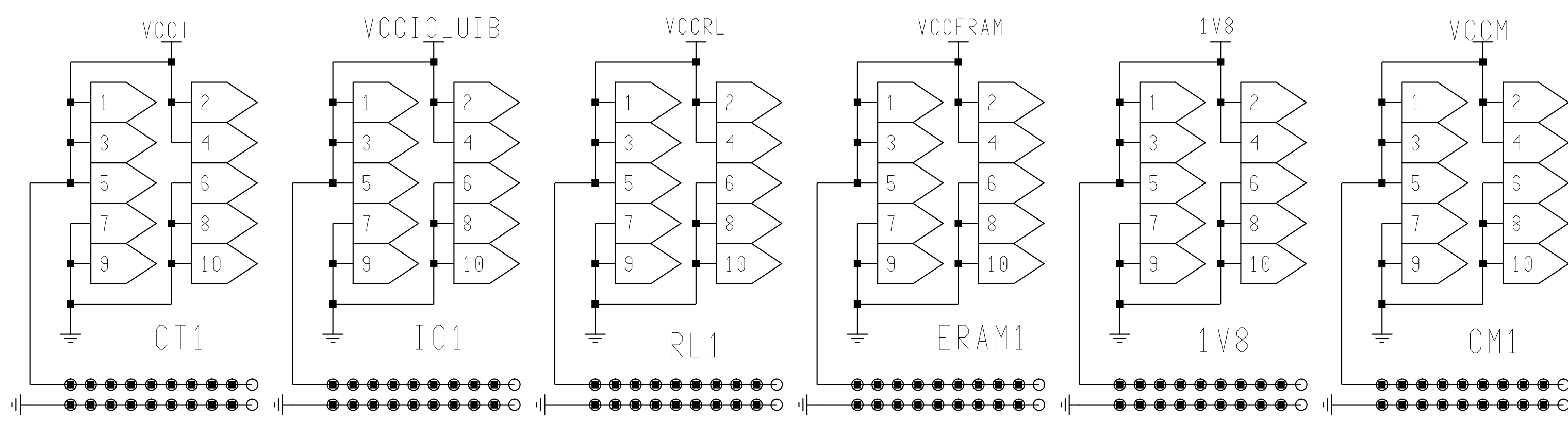
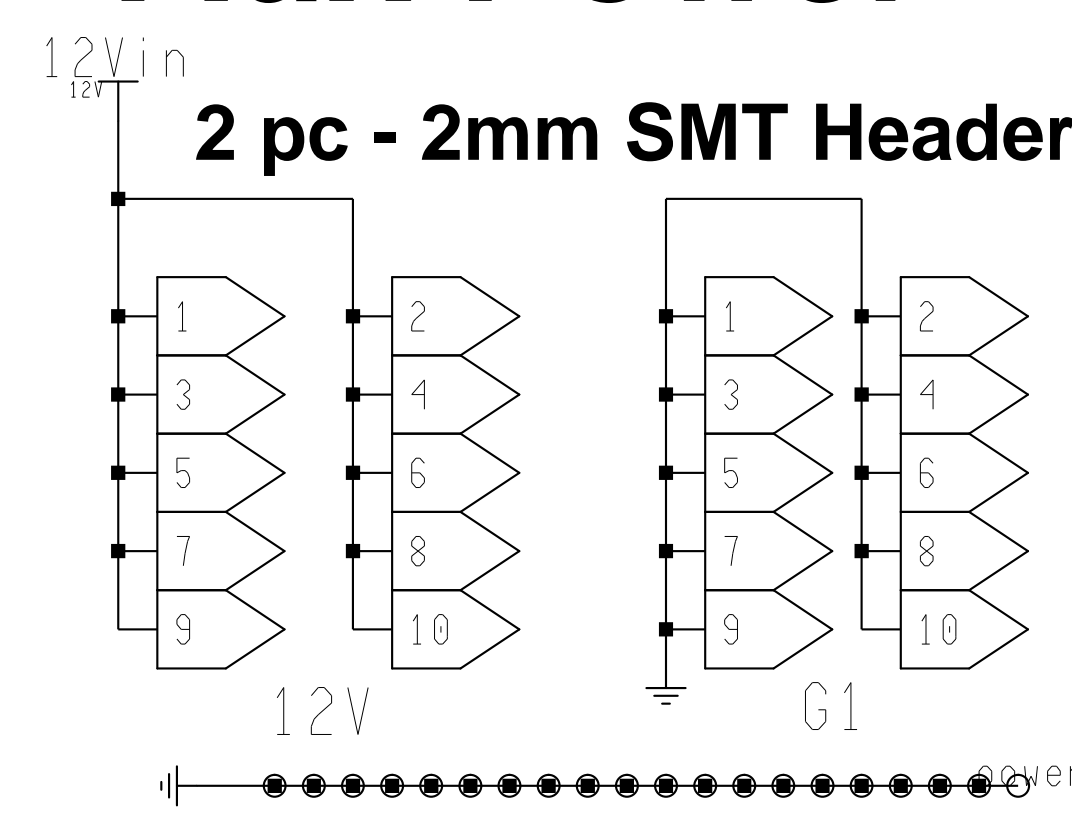
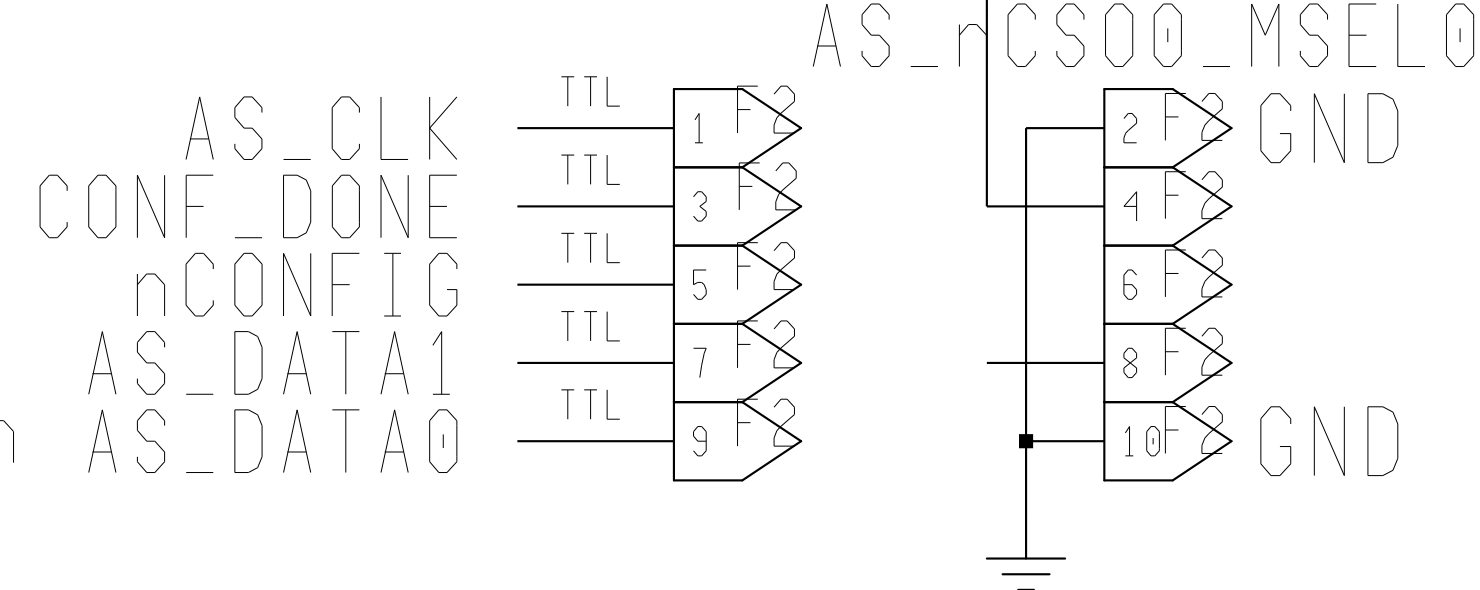
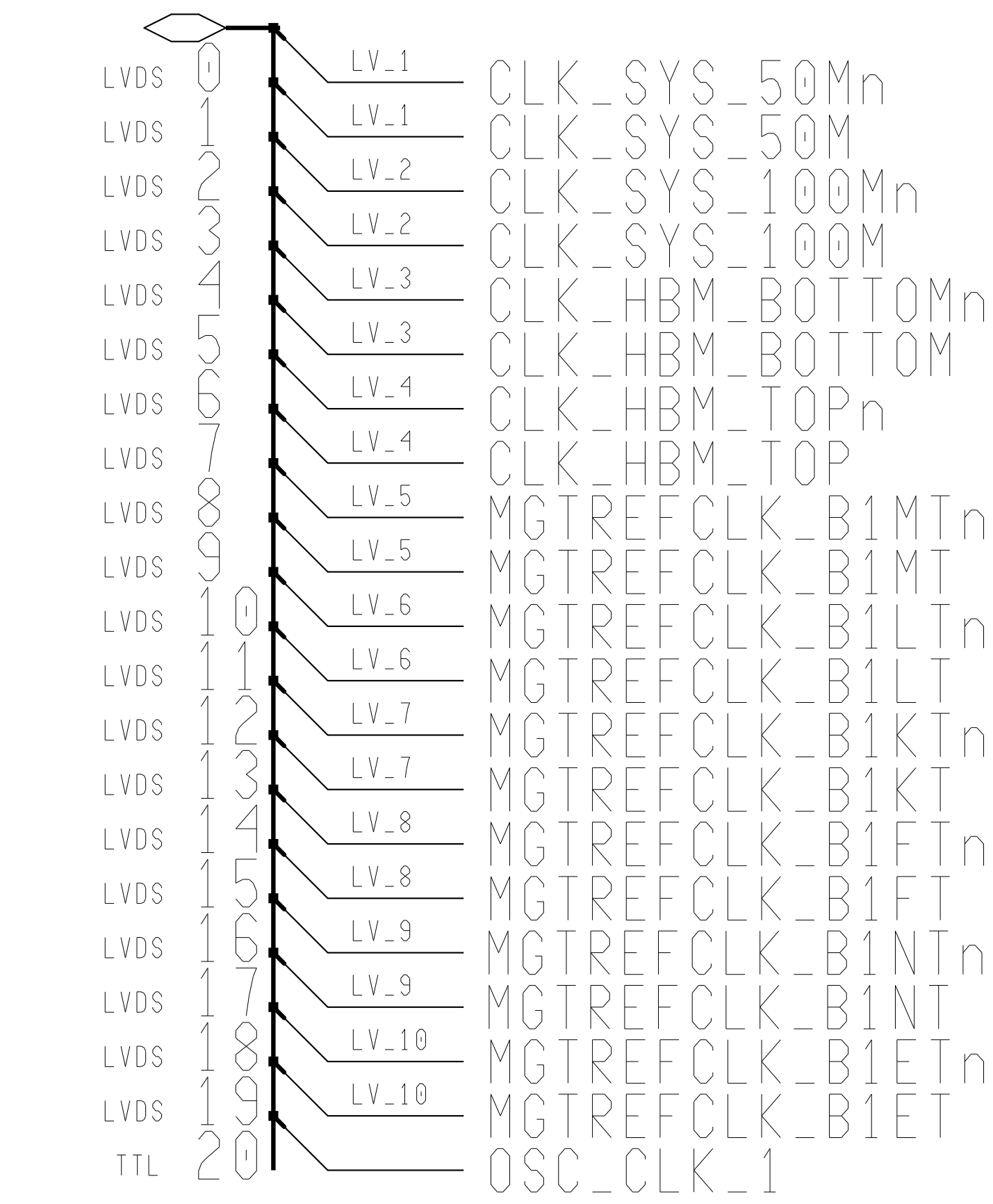
# Power Test Headers

CLKS[23:0]

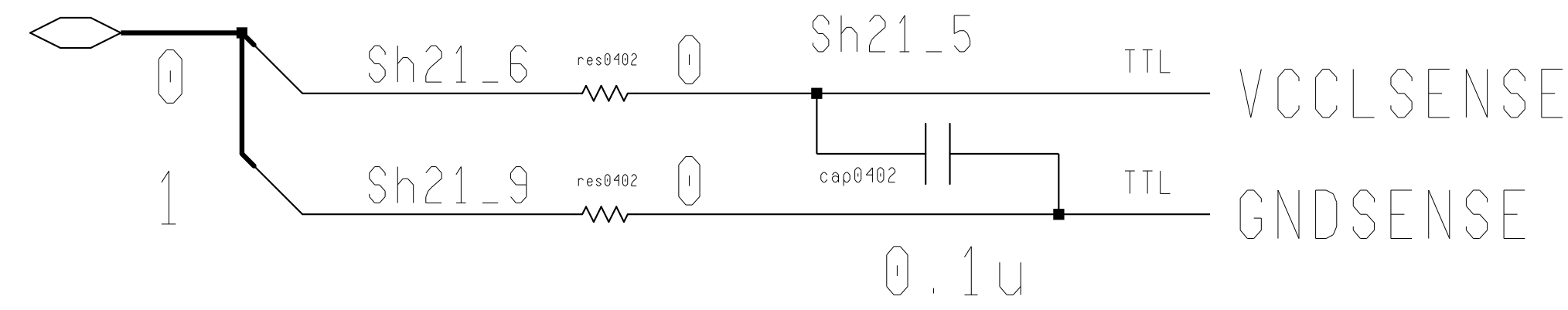
## USB-Blaster

## Aux Power

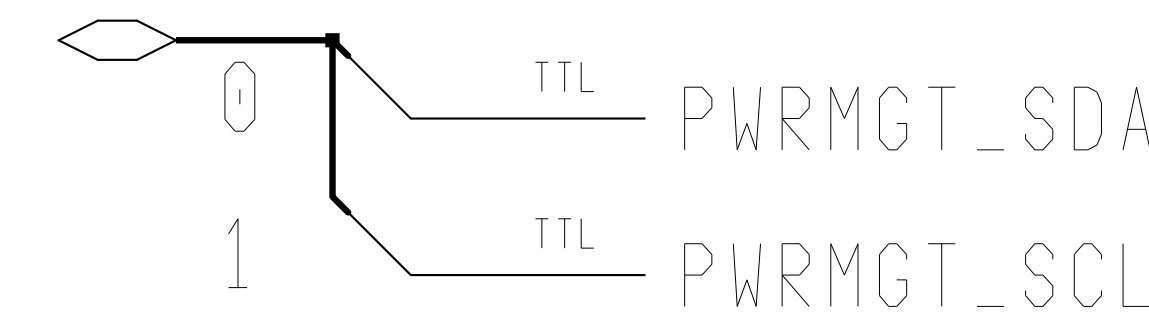
2 pc - 2mm SMT Header



## VCC\_VSS\_SENSE[1:0]

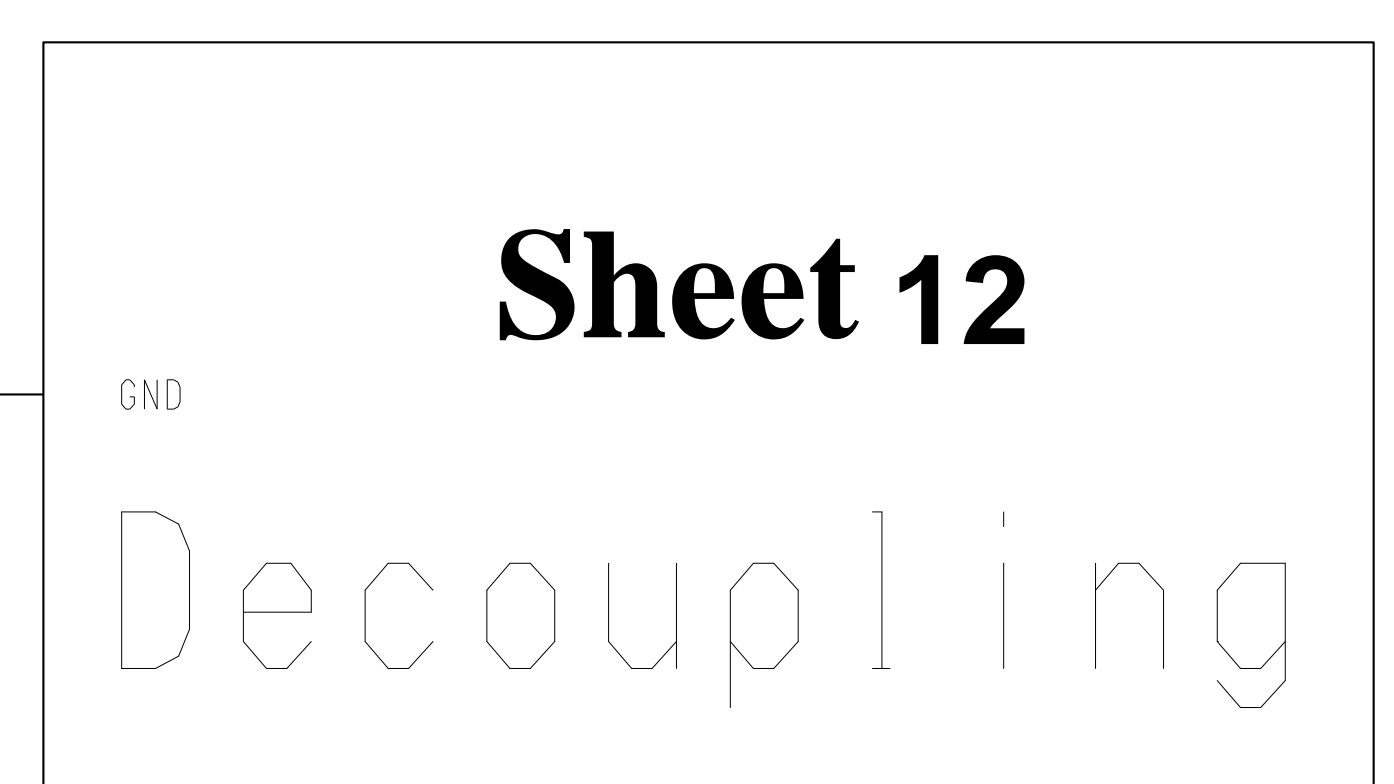
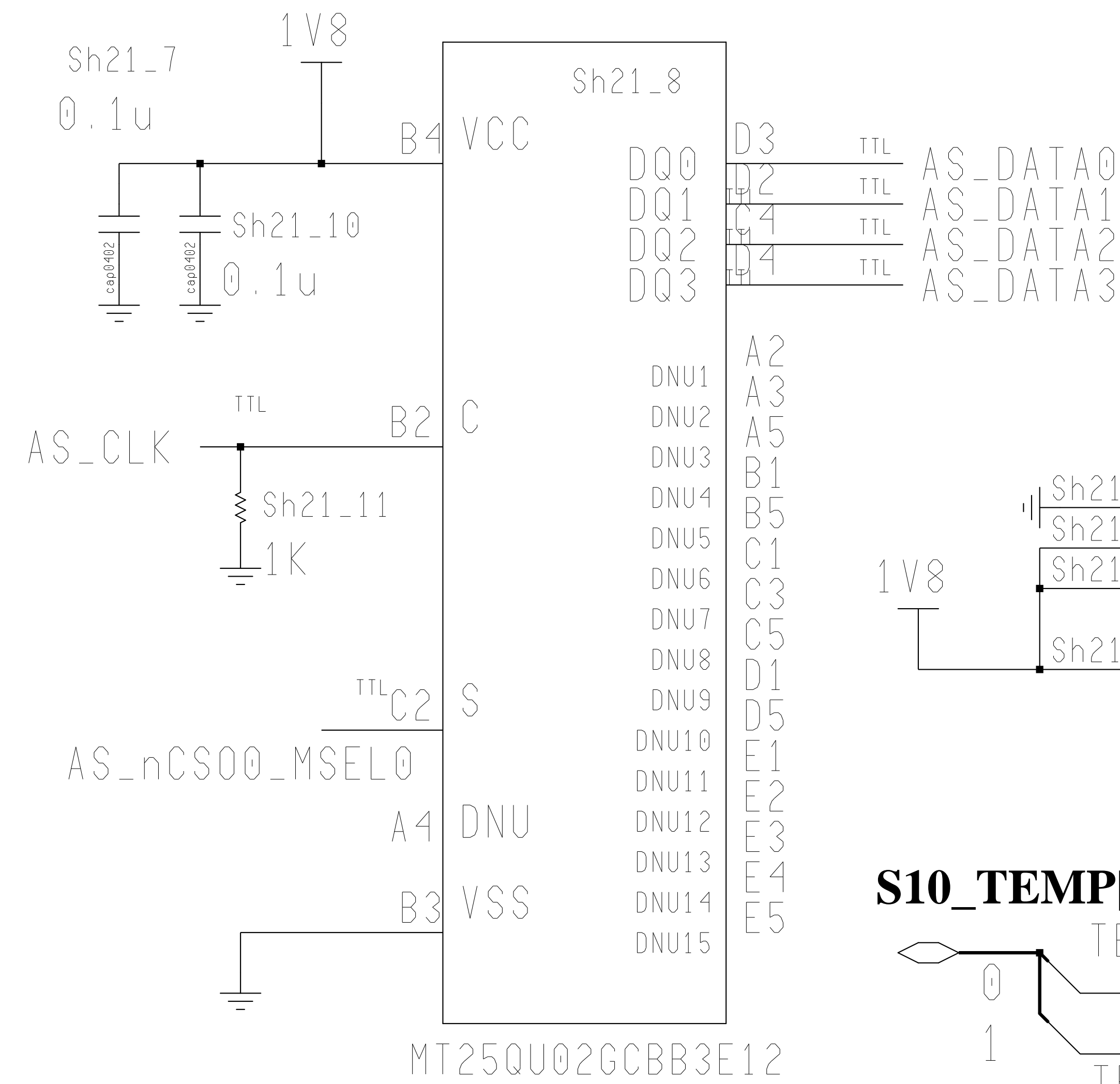
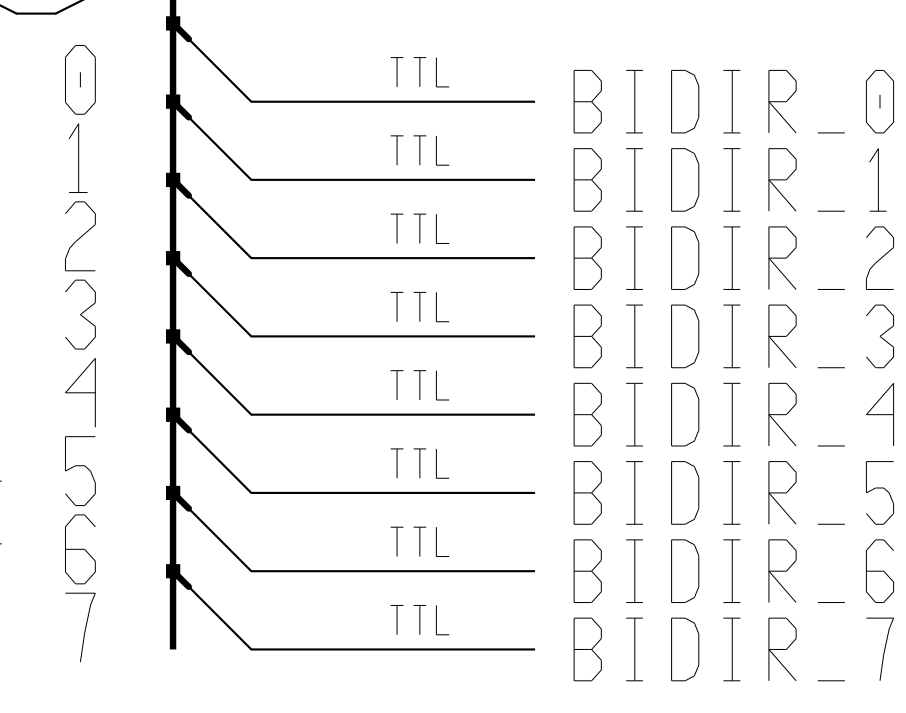
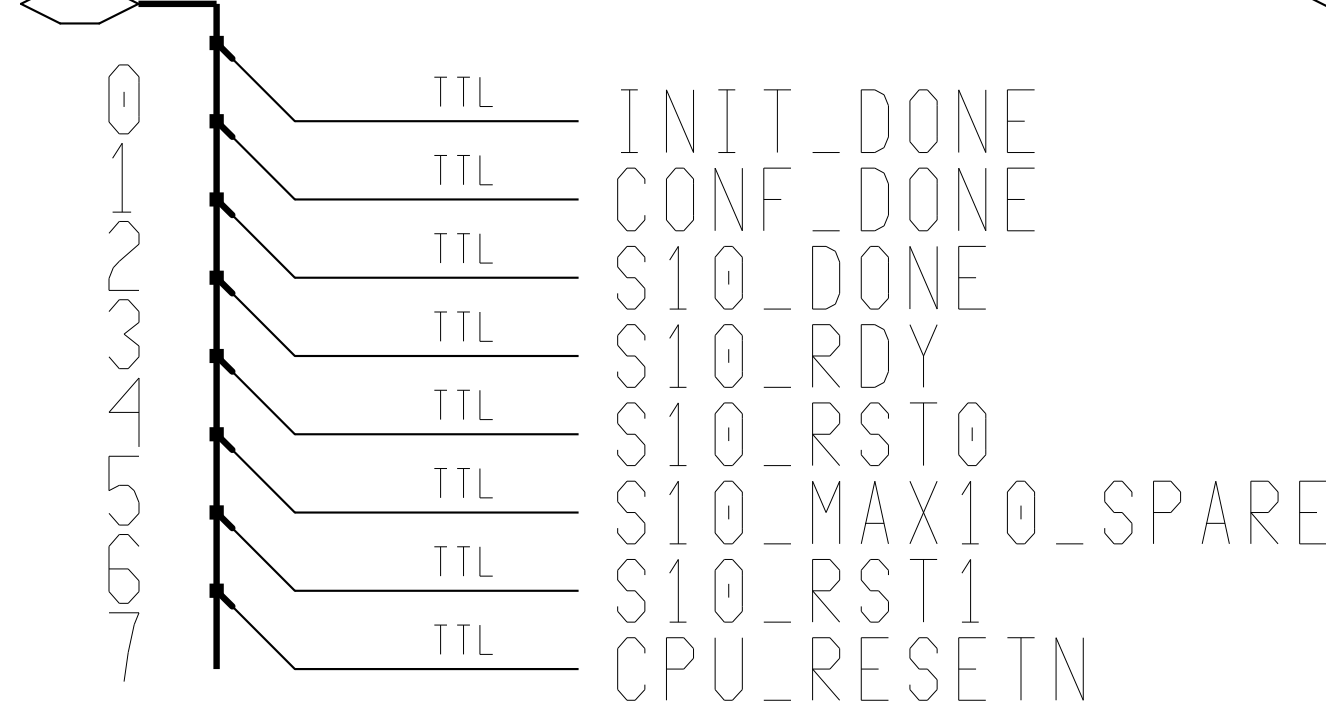


## S10\_I2C[1:0]



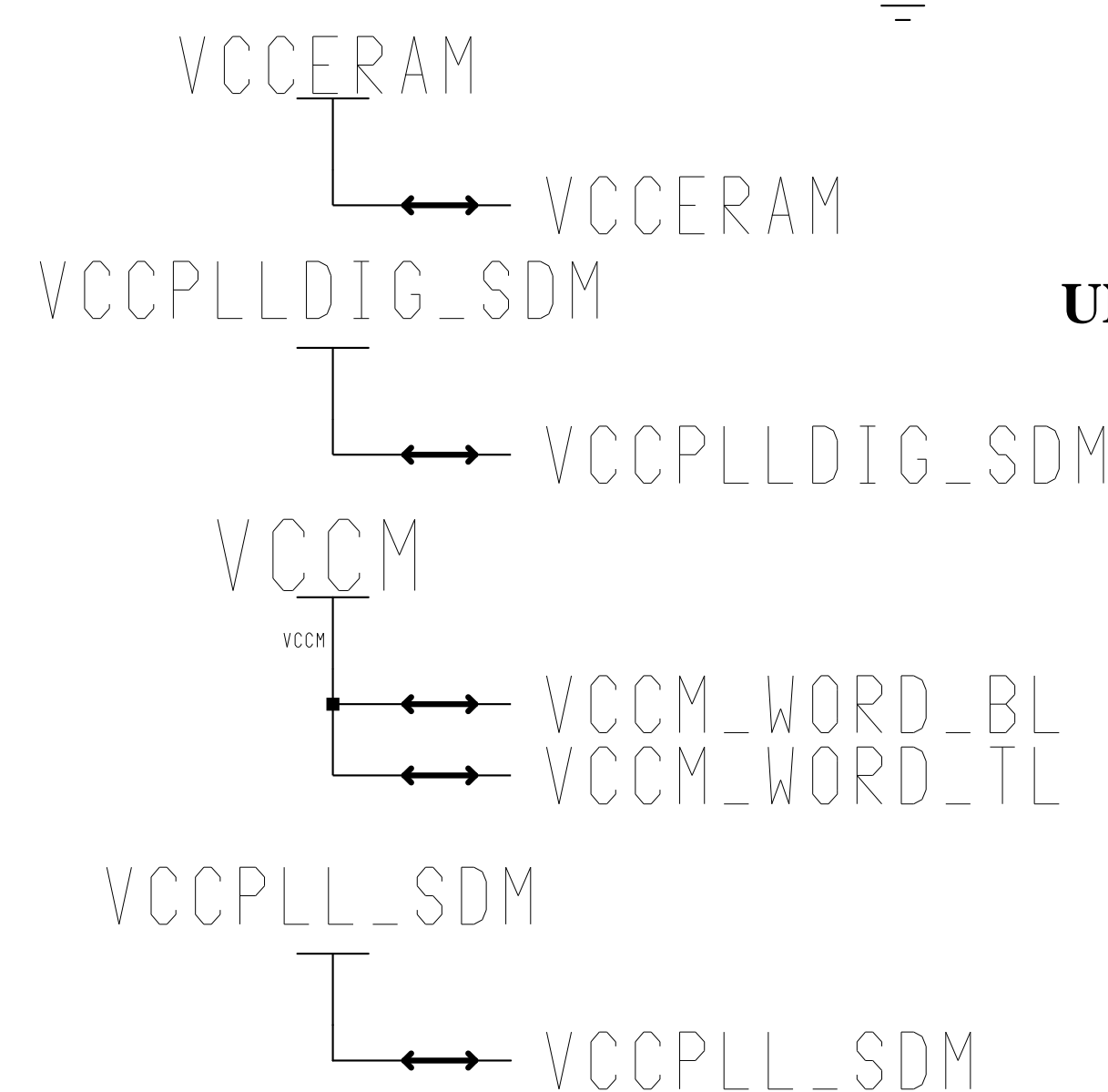
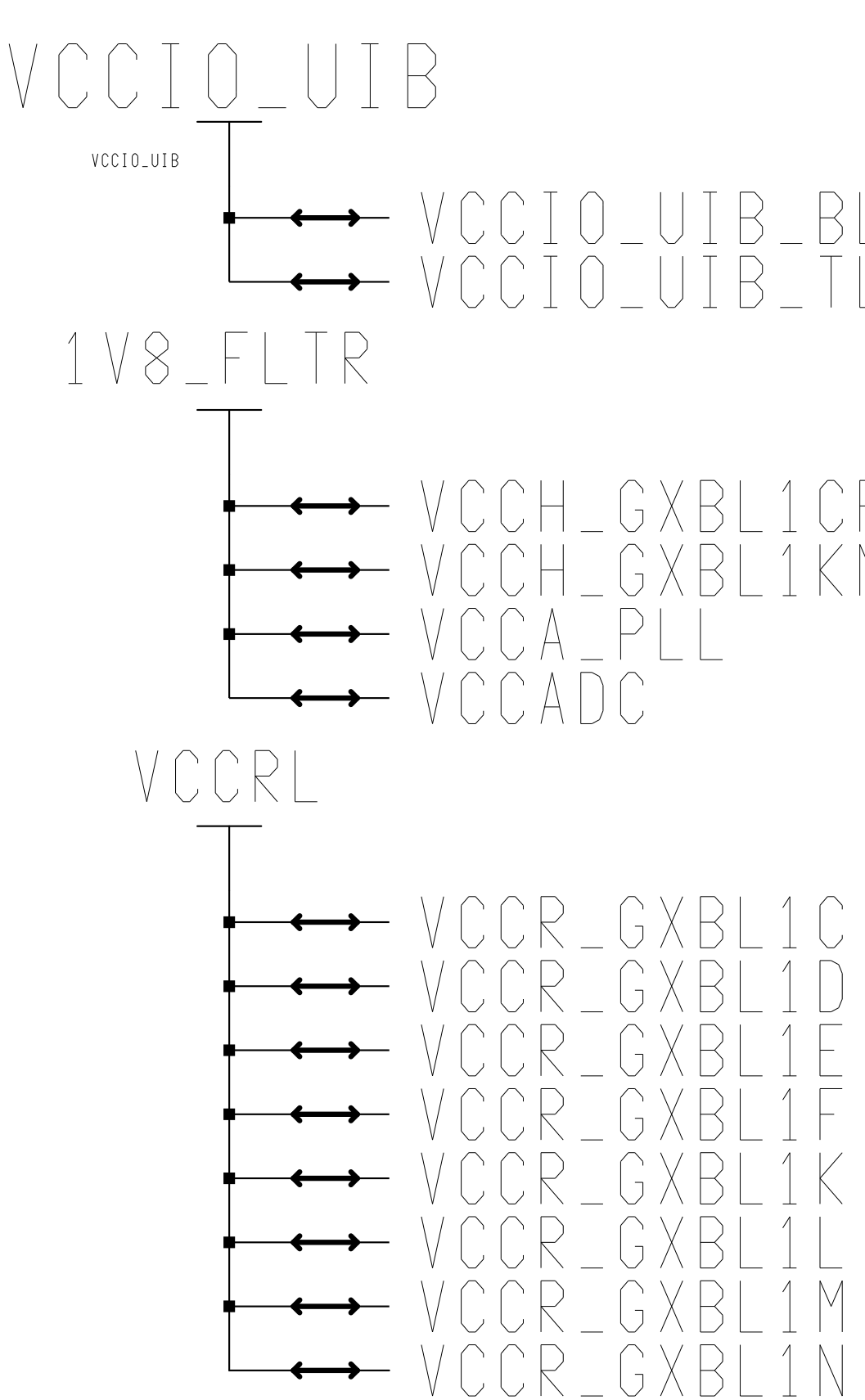
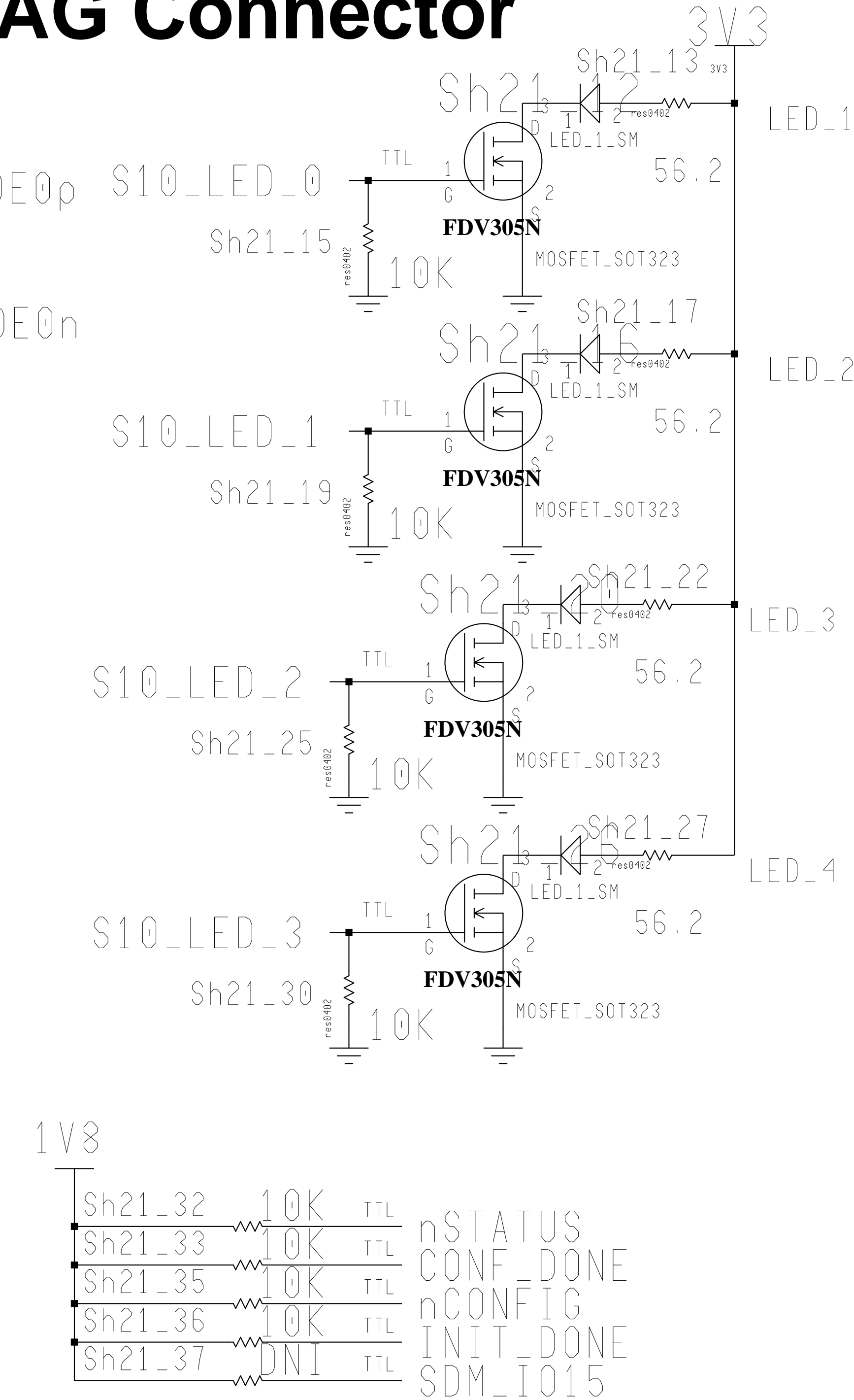
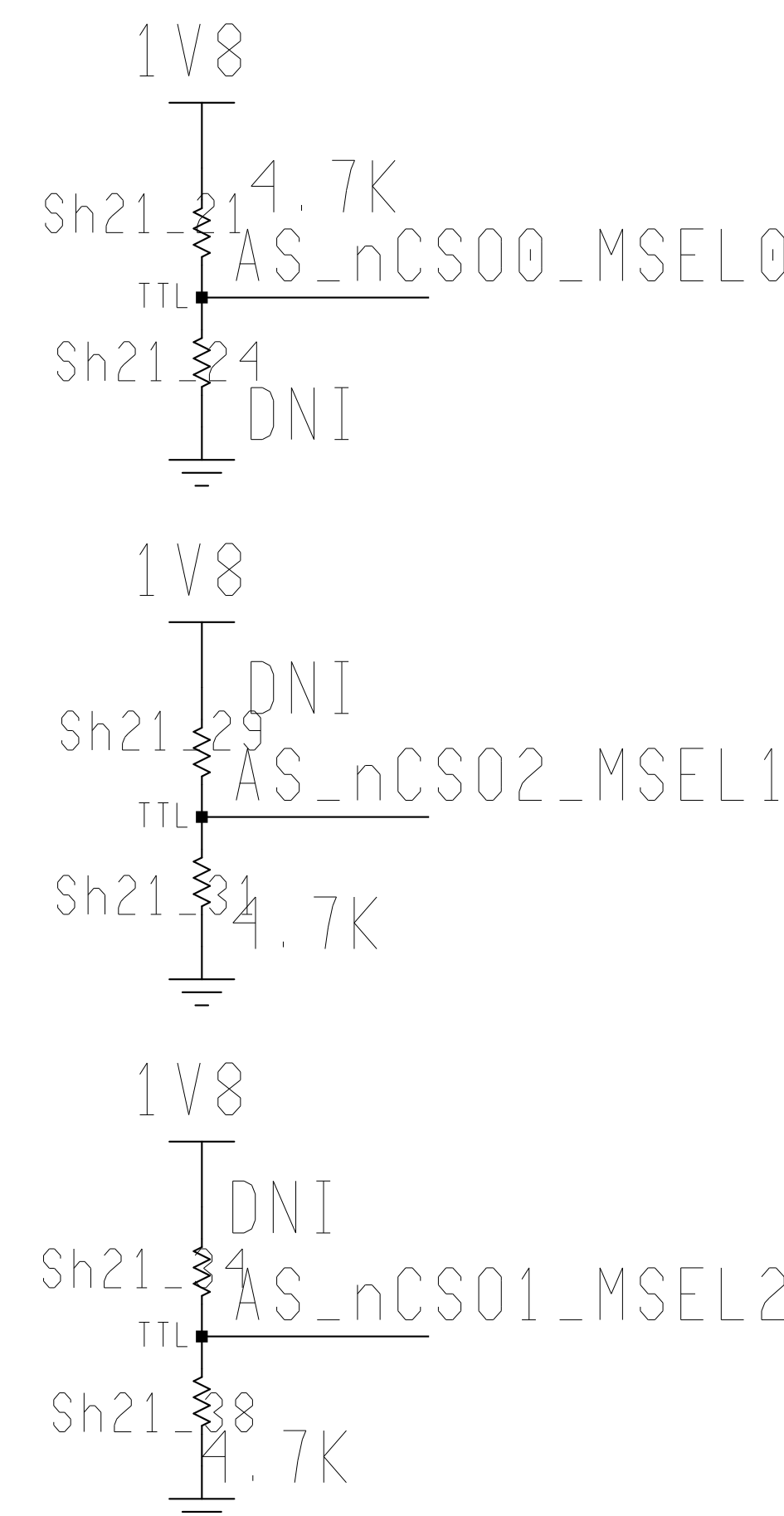
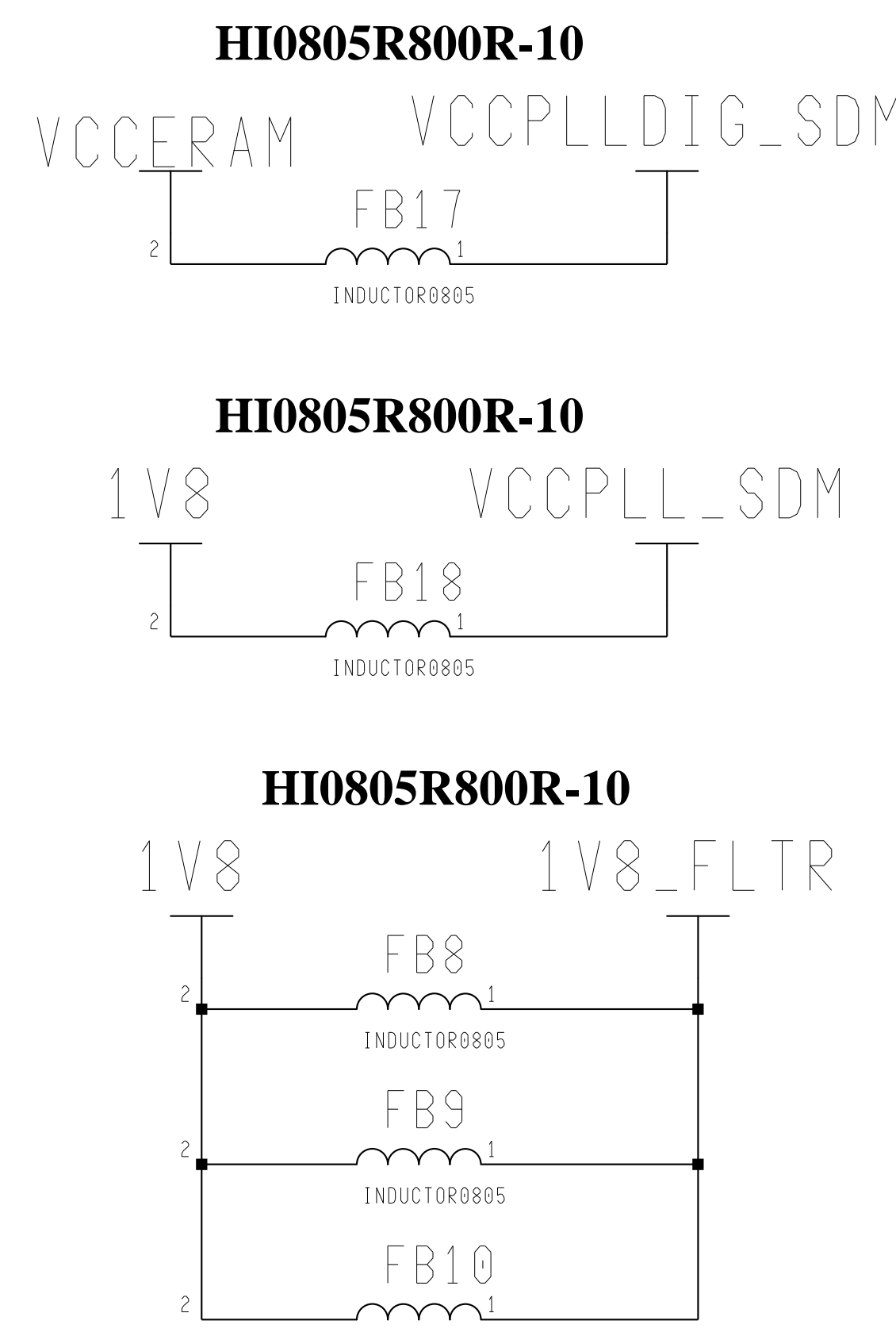
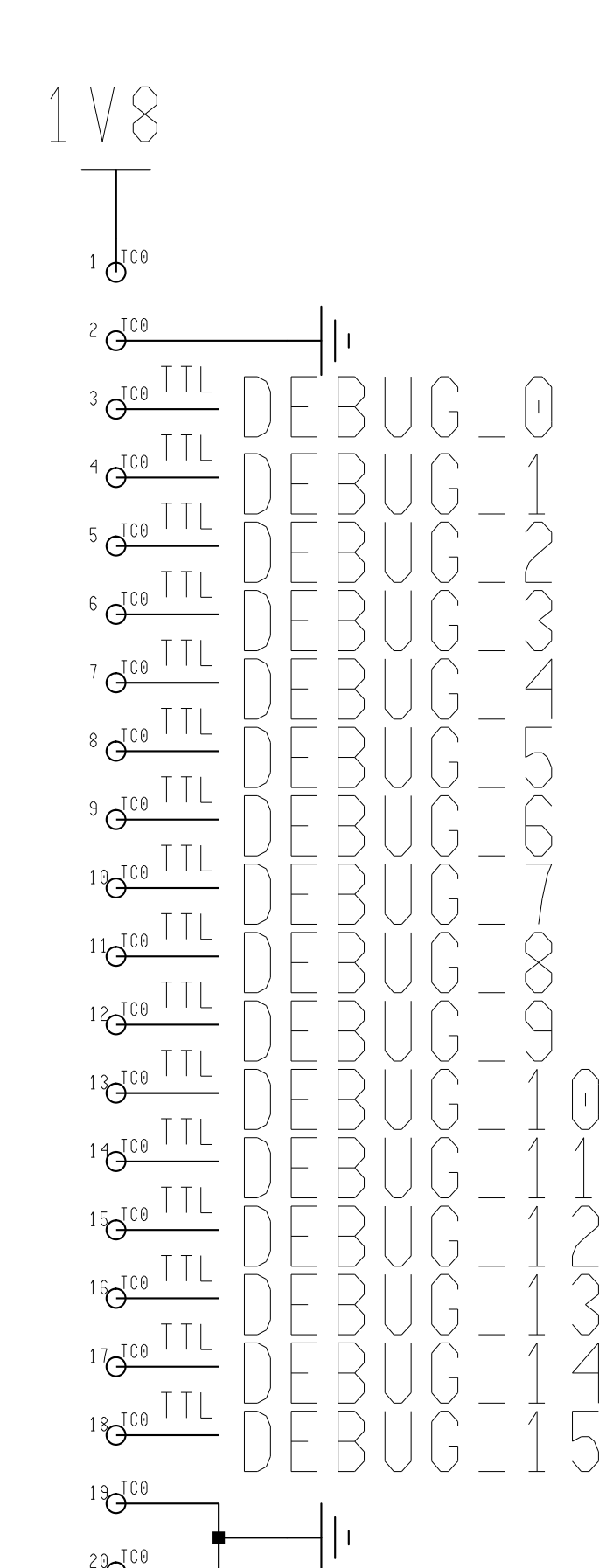
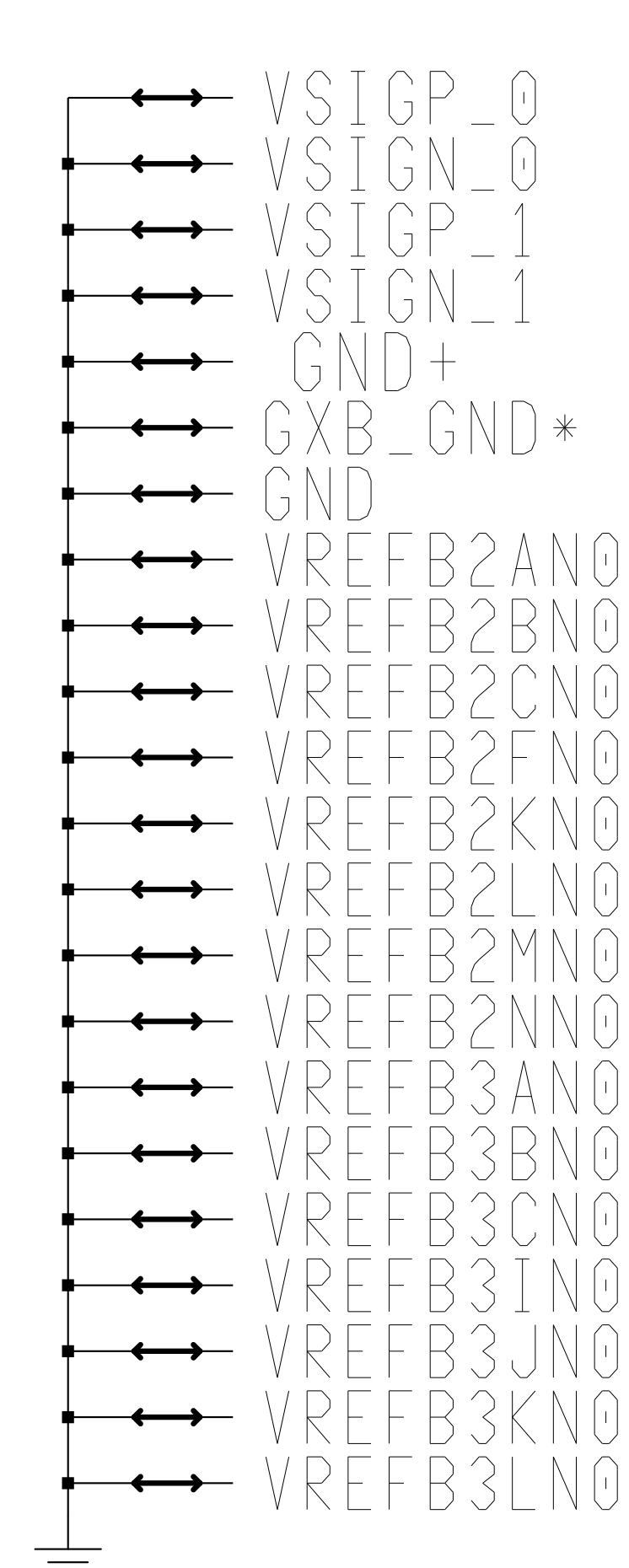
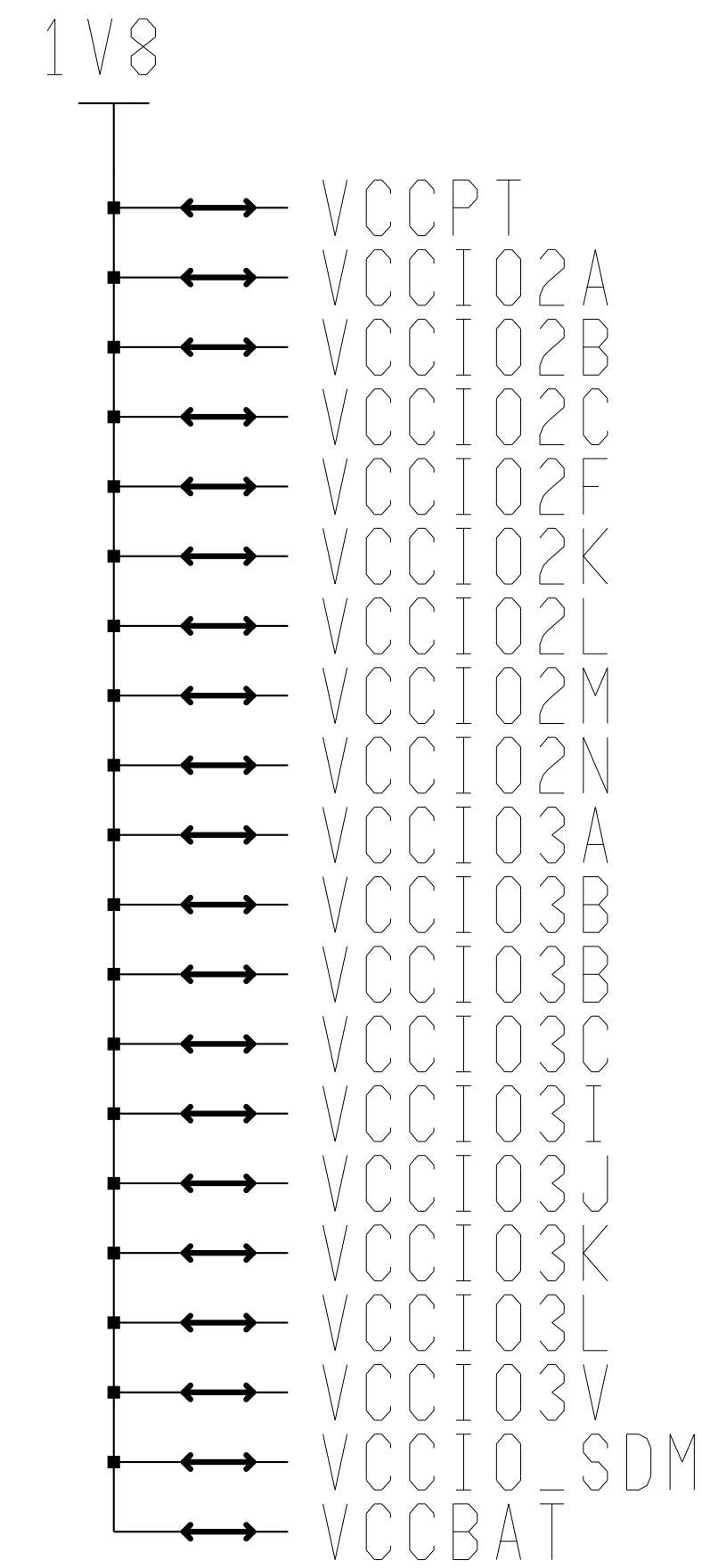
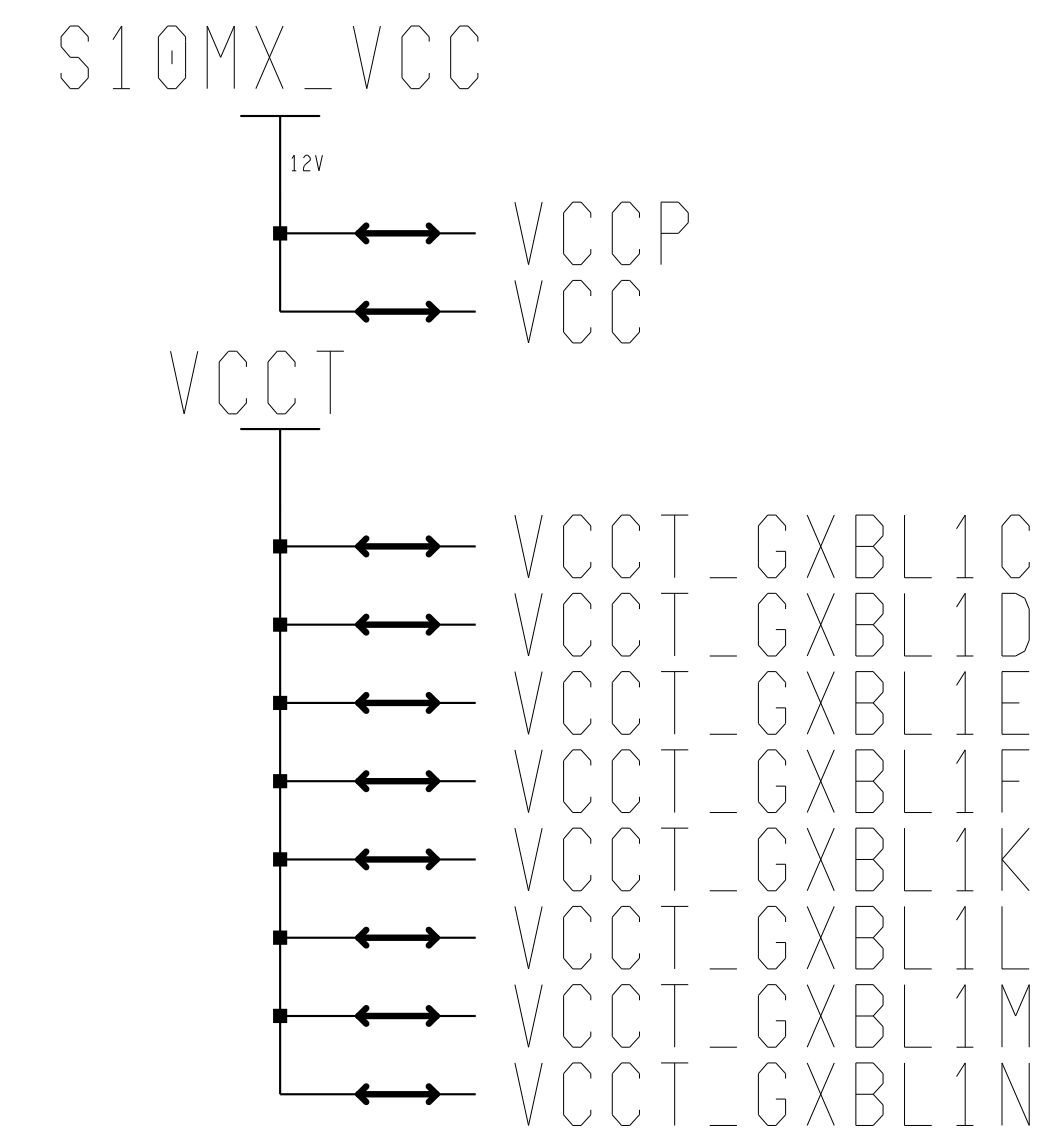
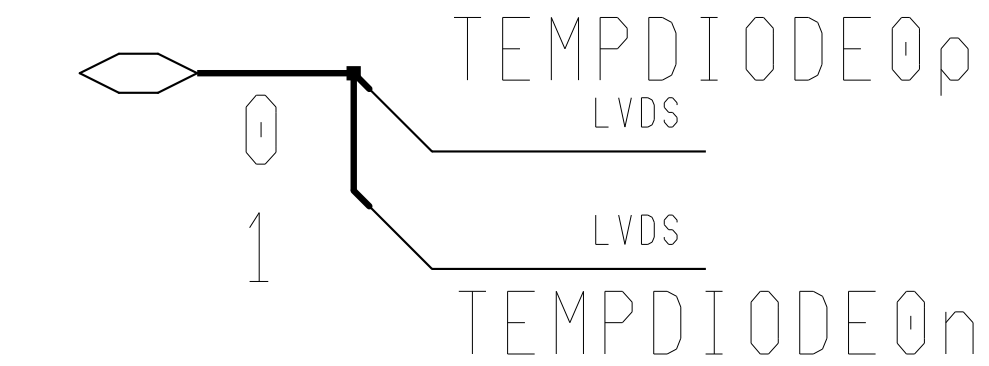
## S10\_IO[7:0]

## S10\_TP\_AUX[7:0]



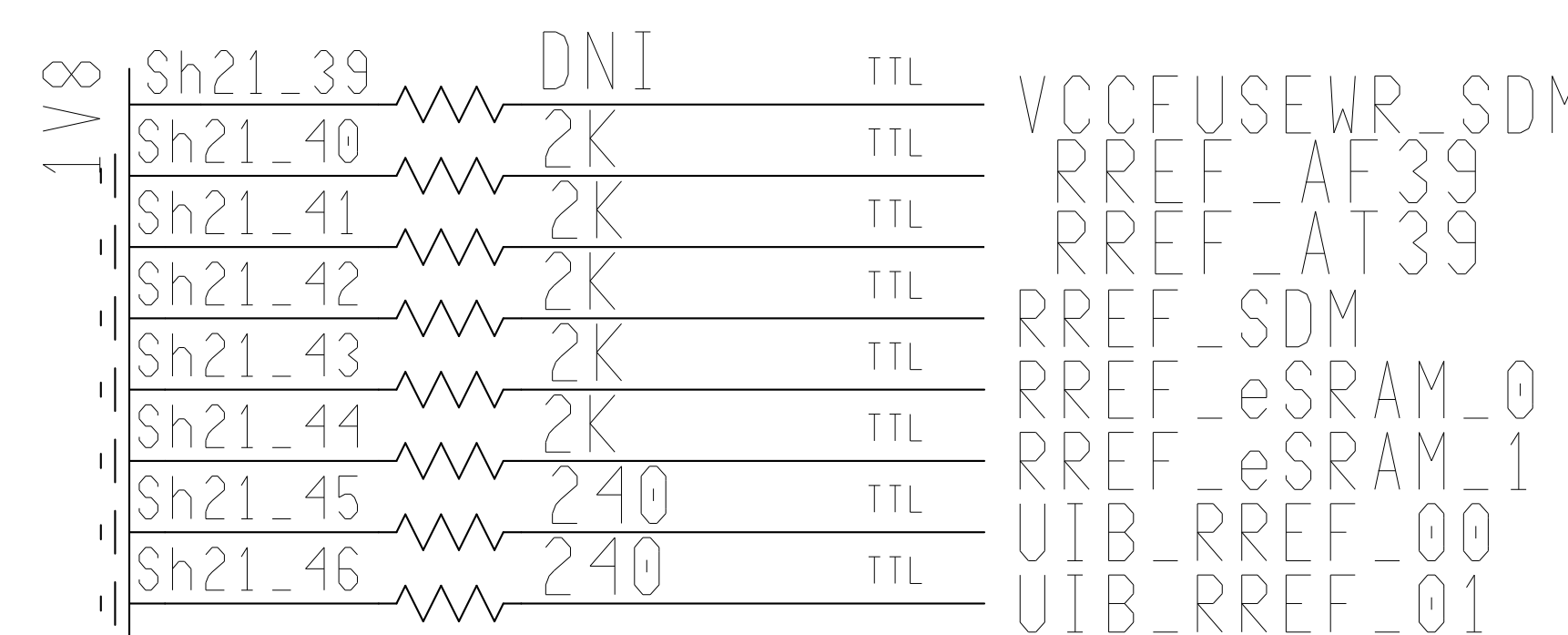
## JTAG Connector

## S10\_TEMP[1:0]



### UNUSED-UNCONNECTED

- TEMPDIODE1n
- TEMPDIODE1p
- TEMPDIODE3n
- TEMPDIODE3p
- AS\_nCS03
- SDI\_I013
- SDI\_I010
- SDI\_I012



Engineer: M. Bogdan	Track Fitter Mezzanine Card <b>S10 - Local Connection</b> The University of Chicago		
Drawn by: M. Bogdan			
DATE: 9/12/2019			
SPC#2929 ASM#2930	REV. A	DRW. 2928	Sheet 21-1