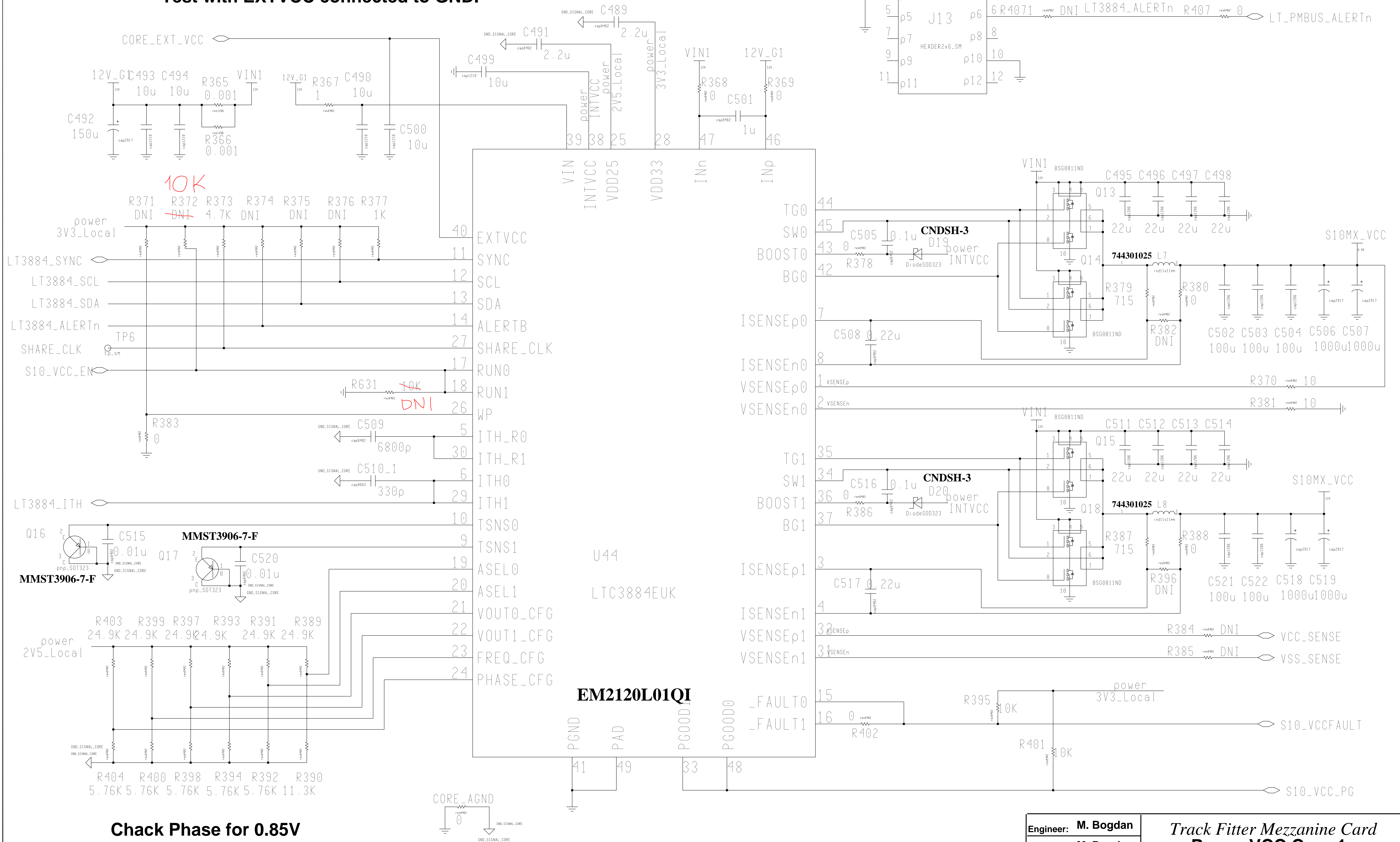


Test with EXTVCC connected to GND.



Chack Phase for 0.85V

Engineer: M. Bogdan	Track Fitter Mezzanine Card Power VCC Core 1 The University of Chicago		
Drawn by: M. Bogdan			
DATE: 3/28/2019	REV. A	DRW. 2928	Sheet 6
SPC#2929 ASM#2930			