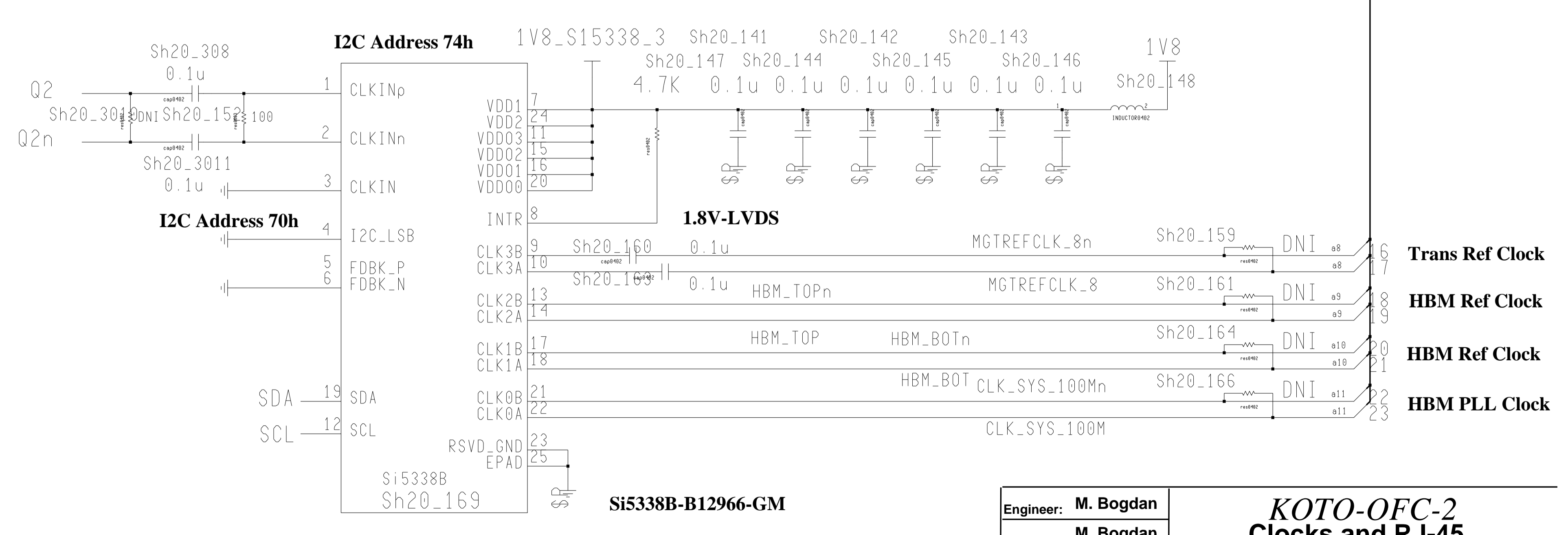
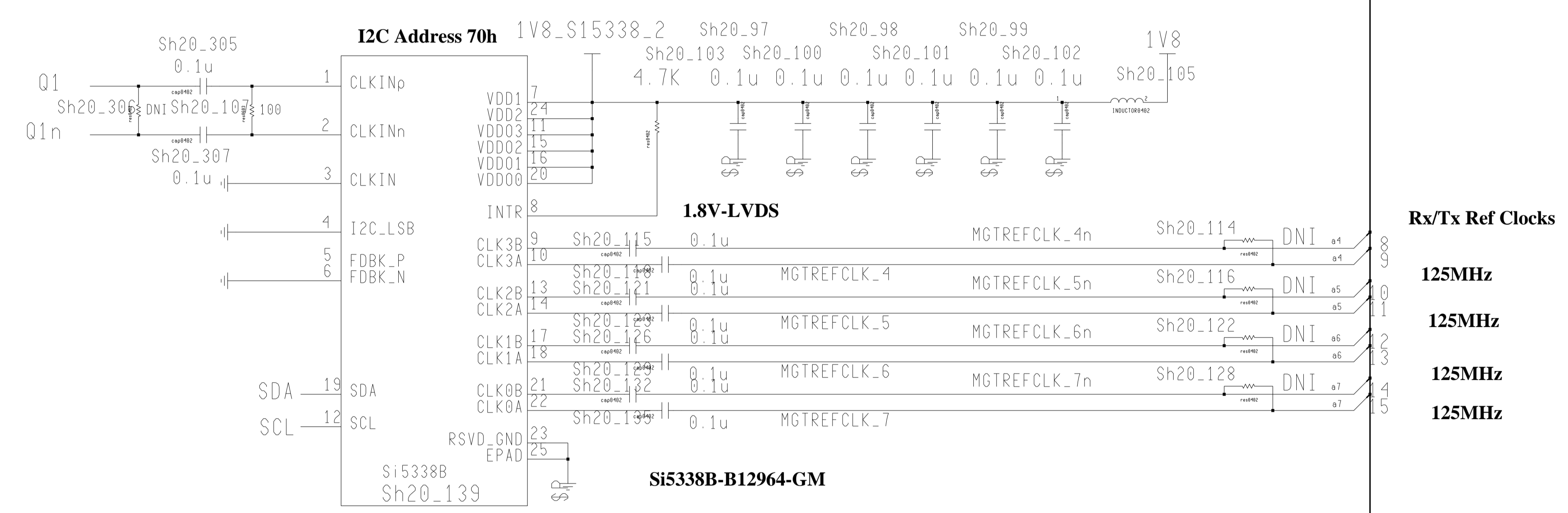
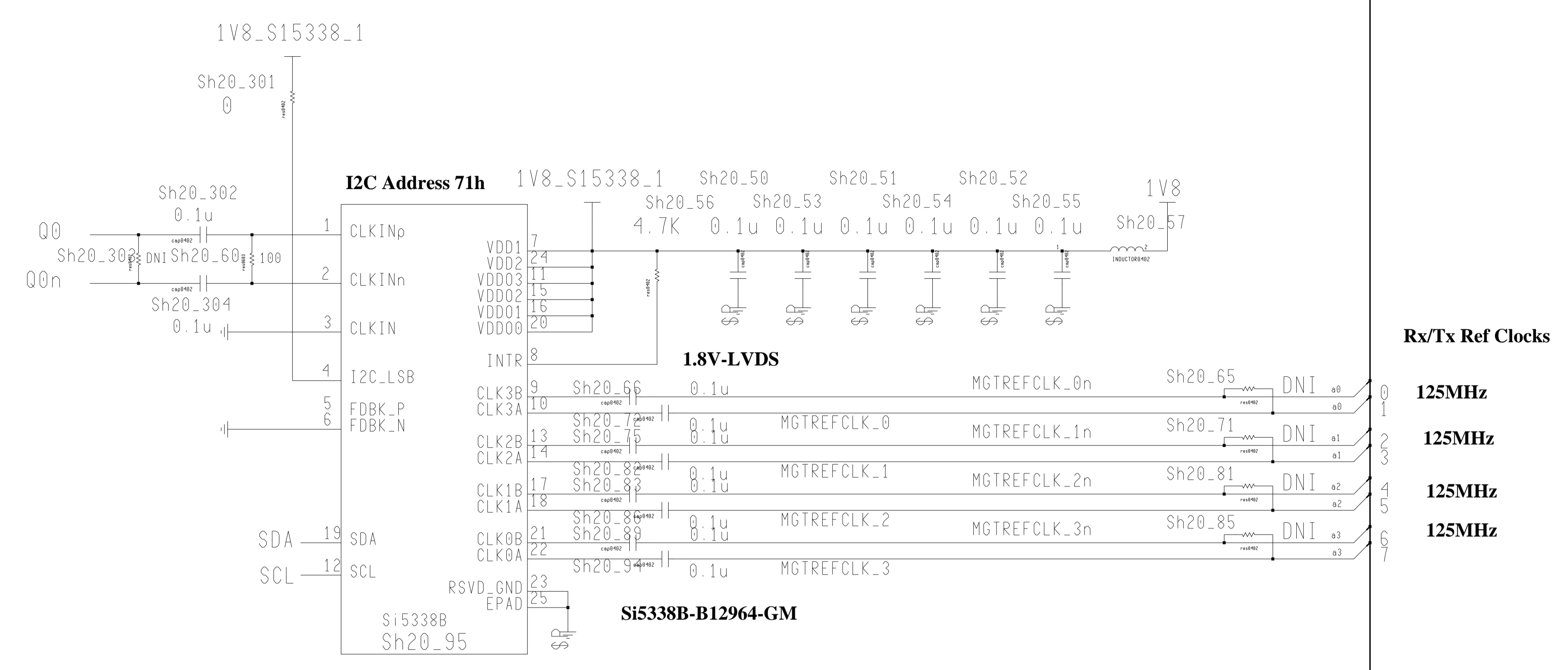
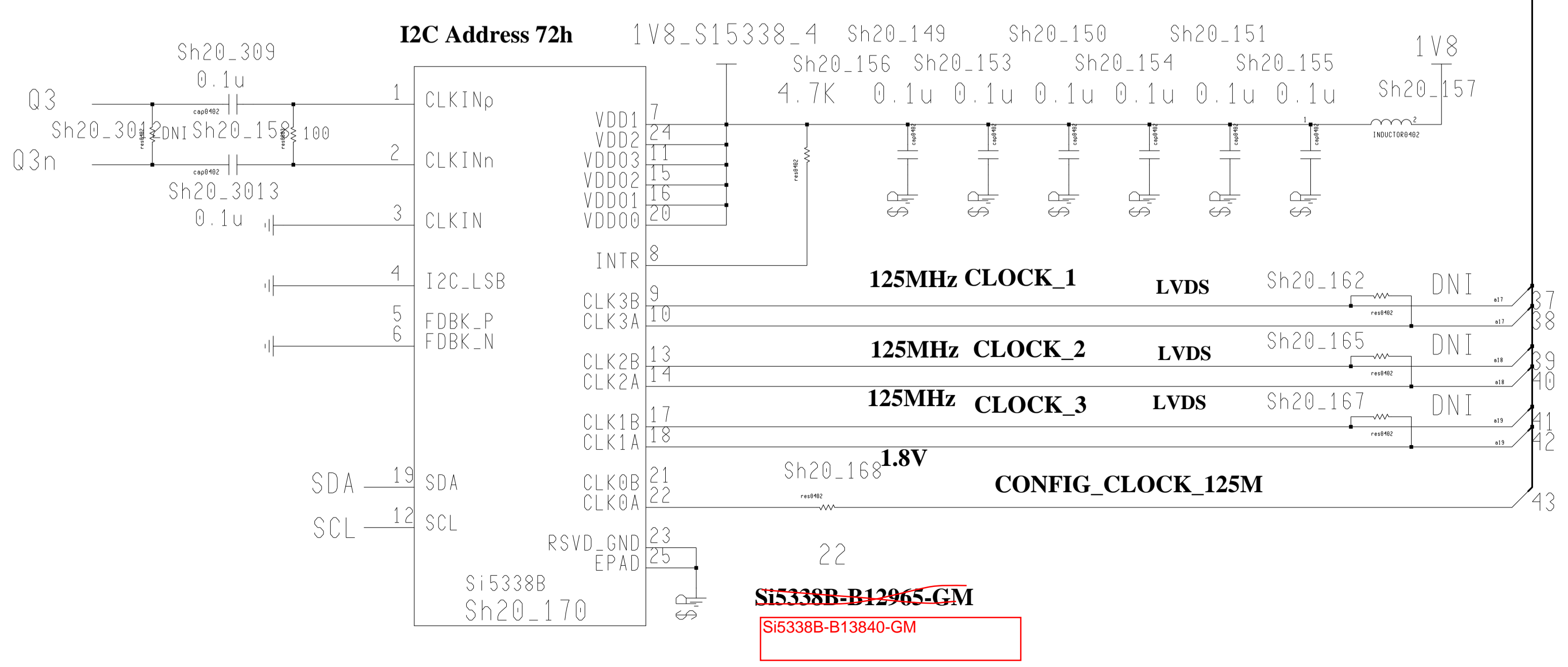
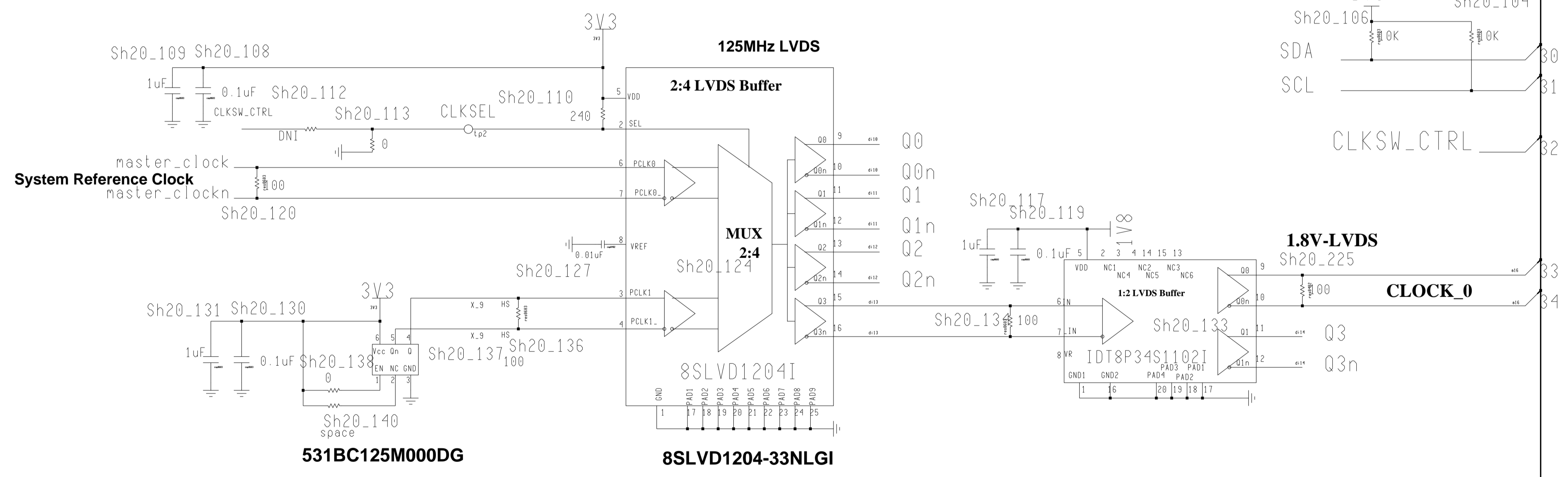
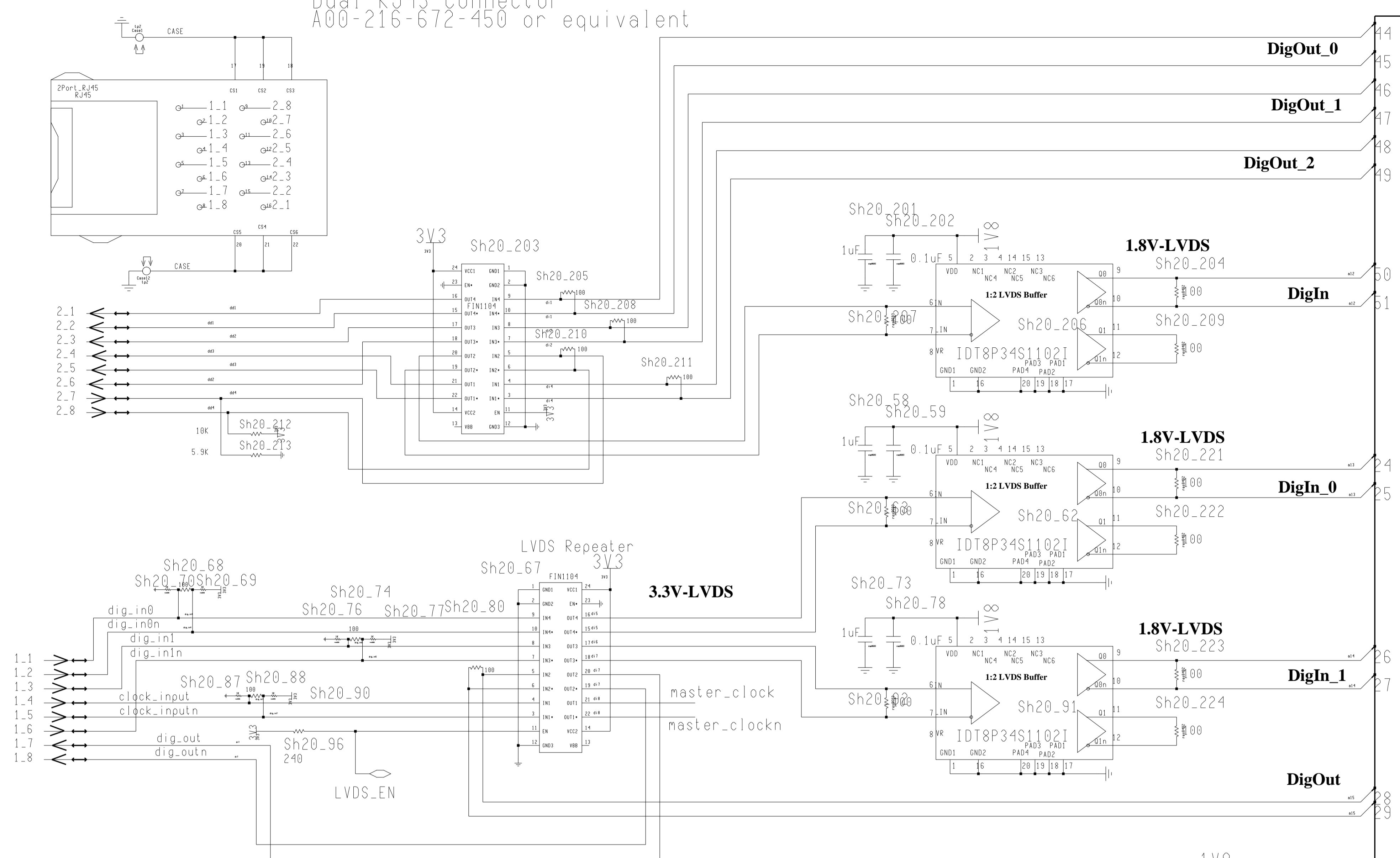


Dual RJ45 Connector
A00-216-672-450 or equivalent



CLKS[51:0] To S10

Rx/Tx Ref Clocks

125MHz
125MHz
125MHz
125MHz

Rx/Tx Ref Clocks

125MHz
125MHz
125MHz
125MHz

Trans Ref Clock

HBM Ref Clock
HBM Ref Clock
HBM PLL Clock

Engineer: M. Bogdan	KOTO-OFC-2 Clocks and RJ-45 The University of Chicago
Drawn by: M. Bogdan	
DATE: 10/31/2020	
SPC# 2959 ASM# 2959	REV. A DRW. 2958 Sheet 20