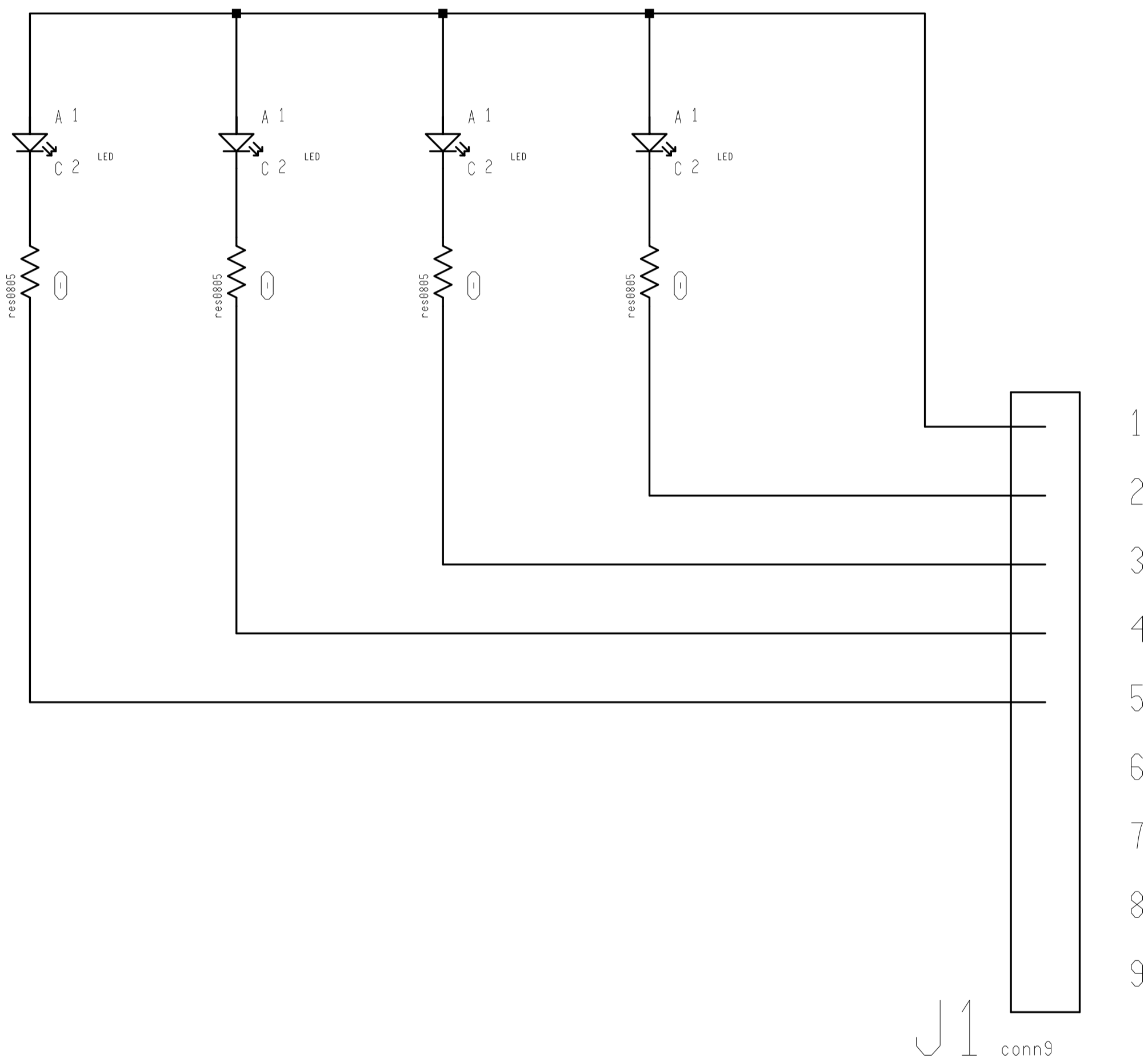


LED4      LED3      LED2      LED1  
 R4        R3        R2        R1



**SCH-2997A**  
**SPC-2998A**  
**ASM-2999A**

Engineer: **M. Bogdan**  
 Drawn by: **M. Bogdan**  
 DATE: **5/11/2021**

**The University of Chicago**  
 5620 S. Ellis Ave. Chicago, IL 60637  
*LED Circuit A*