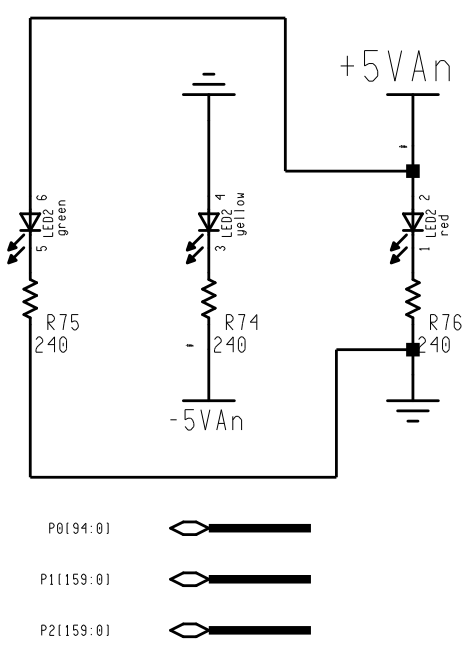


**Power**

**Sheet 3**



**SCH 2853**  
**SPC 2854**  
**ASM 2855**

Engineer: **M. Bogdan**  
 Drawn by: **M. Bogdan**  
 DATE: **8/25/15**

**The University of Chicago**  
 Top Level  
 PMT Distribution Module

REV. A DRW. **2853** Sheet 1 of 3