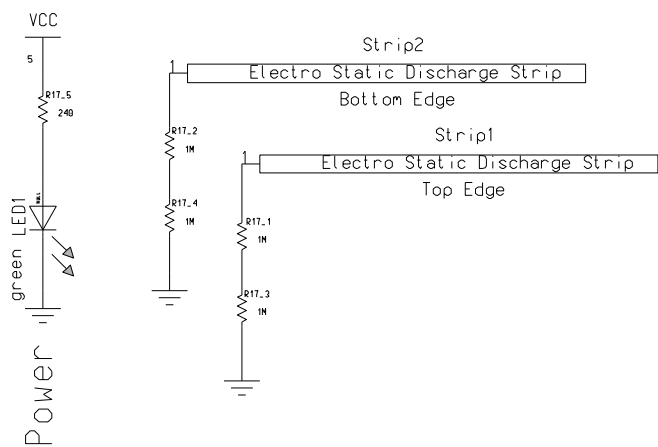


FP LEDS



UNIVERSITY OF CHICAGO  
Electronics Design Group

TITLE Level2 Fanout  
POWER

Size D

Design MB/TL

Check

01/22/04

REV A

Drawing Number 2541

Sheet 17 of 17